



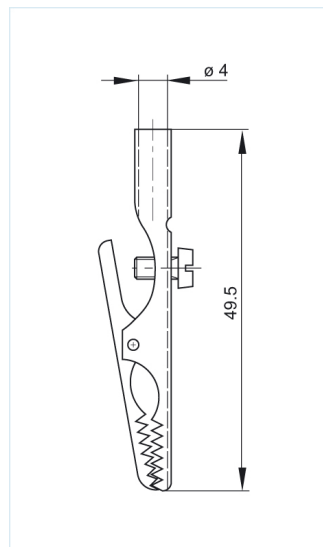
AGS 20

Industrial Connectors:Measuring and Testing Equipment:Alligator clips:4 mm system

Product description

Description	Nickel-plated steel alligator clip. Clamping range up to a maximum bolt diameter 5 mm. 4 mm diameter socket connection, connection possible by terminal screw and solder connection.
Type	AGS 20
Order No.	603 006-001
System	4 mm system
Clamping range	5 mm
Housing Color	metal color

Drawing



Technical data

Type of contact	socket
Type of termination	4 mm socket, soldered, screw
Rated voltage	DC 60 V
Contact resistance	10 mOhm

Material

Contact material	steel
Contact surface material	nickel-plated
Housing material	steel

Environmental conditions

Temperature range	-25 °C to +100 °C
-------------------	-------------------

Inflammability class

Housing	94 HB
---------	-------