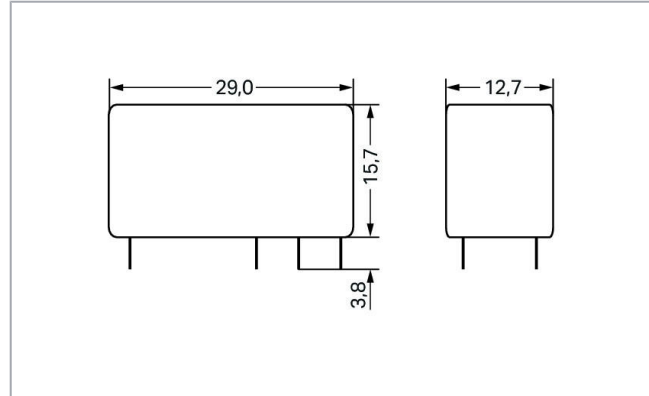
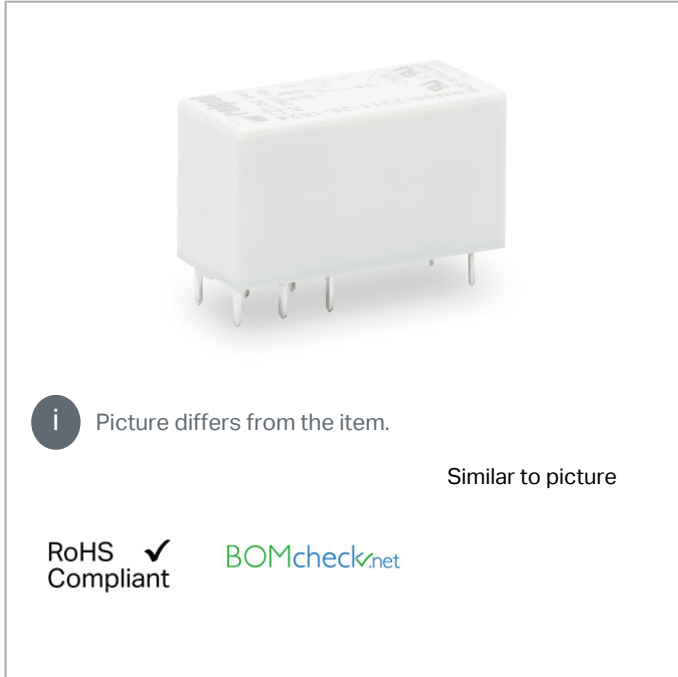


Data sheet | Item number: 788-754

Basic solid-state relay; Nominal input voltage: 24 VDC; Output voltage range: 0 ... 35 VDC; Limiting continuous current: 5 A; Module width: 12 mm; Module height: 15 mm

www.wago.com/788-754



Item description

Note:

Optocouplers and solid state relays are designed for use in signal processing networks, which are not supplied by the low-voltage power supply networks.

Data

Technical data

Control circuit

Nominal input voltage U_N	DC 24 V
Input voltage range (low level)	DC 0 ... 9 V
Input voltage range (high level)	DC 10 ... 30 V
Nominal input current at U_N	11 mA

Subject to changes. Please also observe the further product documentation!

WAGO Kontakttechnik GmbH & Co. KG
Hansastr. 27
32423 Minden
Phone: +49571 887-0 | Fax: +49571 887-169
Email: info.de@wago.com | Web: www.wago.com

Do you have any questions about our products?
We are always happy to take your call at +49 (571) 887-44222.

Load circuit

Circuit type	2-wire connection
Limiting continuous current	5 A
Nominal output voltage	DC 24 V
Output voltage range	DC 0 ... 35 V
Voltage drop at output (max.)	≤ DC 0.3 V
Switching current (min.)	1 mA
Turn-on time	≤ 50 μs
Turn-off time	≤ 250 μs
Switching frequency	≤ 3 kHz

Signaling

Status indicator	Green LED
------------------	-----------

Safety and protection

Dielectric strength, control/load circuit (AC, 1 min)	3.51 kVrms
---	------------

Physical data

Width	12.7 mm / 0.5 inch
Height from the surface	15.7 mm / 0.618 inch
Depth	29 mm / 1.142 inch

Mechanical data

Mounting type	Pluggable module
---------------	------------------

Material data

Weight	4 g
--------	-----

Environmental requirements

Surrounding air temperature (operation at U_N)	-30 ... 80 °C
Surrounding air temperature (storage)	-40 ... 100 °C

Standards and specifications

Standards/Specifications	EN 61010-2-201; EN 61000-6-2; EN 61000-6-3; EN 61373
--------------------------	--


Subject to changes. Please also observe the further product documentation!

Commercial data

Packaging type	BOX
Country of origin	DE
GTIN	4055143919258
Customs tariff number	85364190890

Approvals / Certificates

UL-Approvals

Logo	Approval	Additional Approval Text	Certificate name
	UL Underwriters Laboratories Inc.	UL 508	E340707

Downloads

Documentation

Bid Text

	xml 4.4 kB	Download
	docx 14.1 kB	Download

Additional Information

Disposal; Electrical and electronic equipment, Packaging	V 1.0.0	pdf 265.8 kB	Download
--	---------	-----------------	----------

Environmental Product Compliance

Compliance Search

Environmental Product Compliance 788-754	URL	Download
Basic solid-state relay; Nominal input voltage: 24 VDC; Output voltage range: 0 ... 35 VDC; Limiting continuous current: 5 A; Module width: 12 mm; Module height: 15 mm		

Installation Notes

Subject to changes. Please also observe the further product documentation!