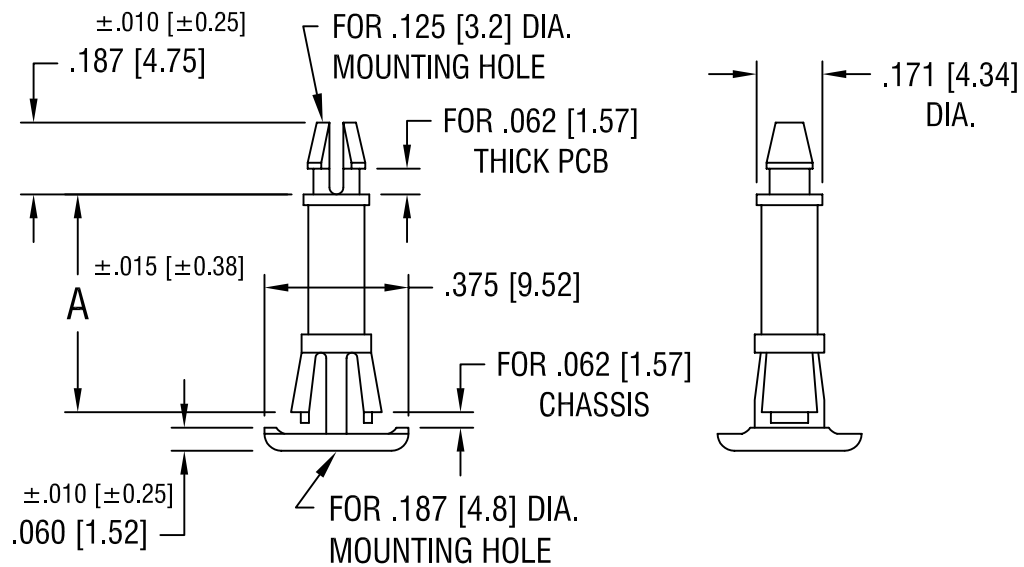


THIS DOCUMENT IS THE PROPERTY OF  
KEYSTONE ELECTRONICS CORP. AND  
SHALL NOT BE REPRODUCED, DISTRIBUTED  
OR USED AS A BASIS FOR MANUFACTURE  
WITHOUT PRIOR WRITTEN PERMISSION  
FROM KEYSTONE ELECTRONICS CORP.



PART NO.	'A' DIM.
9065	$.250$ [ $6.35$ ]
9066	$.375$ [ $9.52$ ]
9067	$.500$ [ $12.70$ ]
9068	$.625$ [ $15.87$ ]

### KEYSTONE ELECTRONICS CORP.

ASTORIA, N.Y. 11105-2017

PART NAME

CHASSIS MOUNT SUPPORT

MATERIAL

NYLON UL 94V-0

FINISH

-

DRN BY

BOONE

DATE

8.29.06

APP'D

SCALE

2X

TOLERANCES

INCH

[MM]

CODE

DWG NO.

DECIMAL  $\pm .005$  [ $\pm 0.15$ ]

C/M

ANGULAR  $\pm 1^\circ$   
UNLESS OTHERWISE SPECIFIED

9065-9068

DATE

DESCRIPTION

REV.