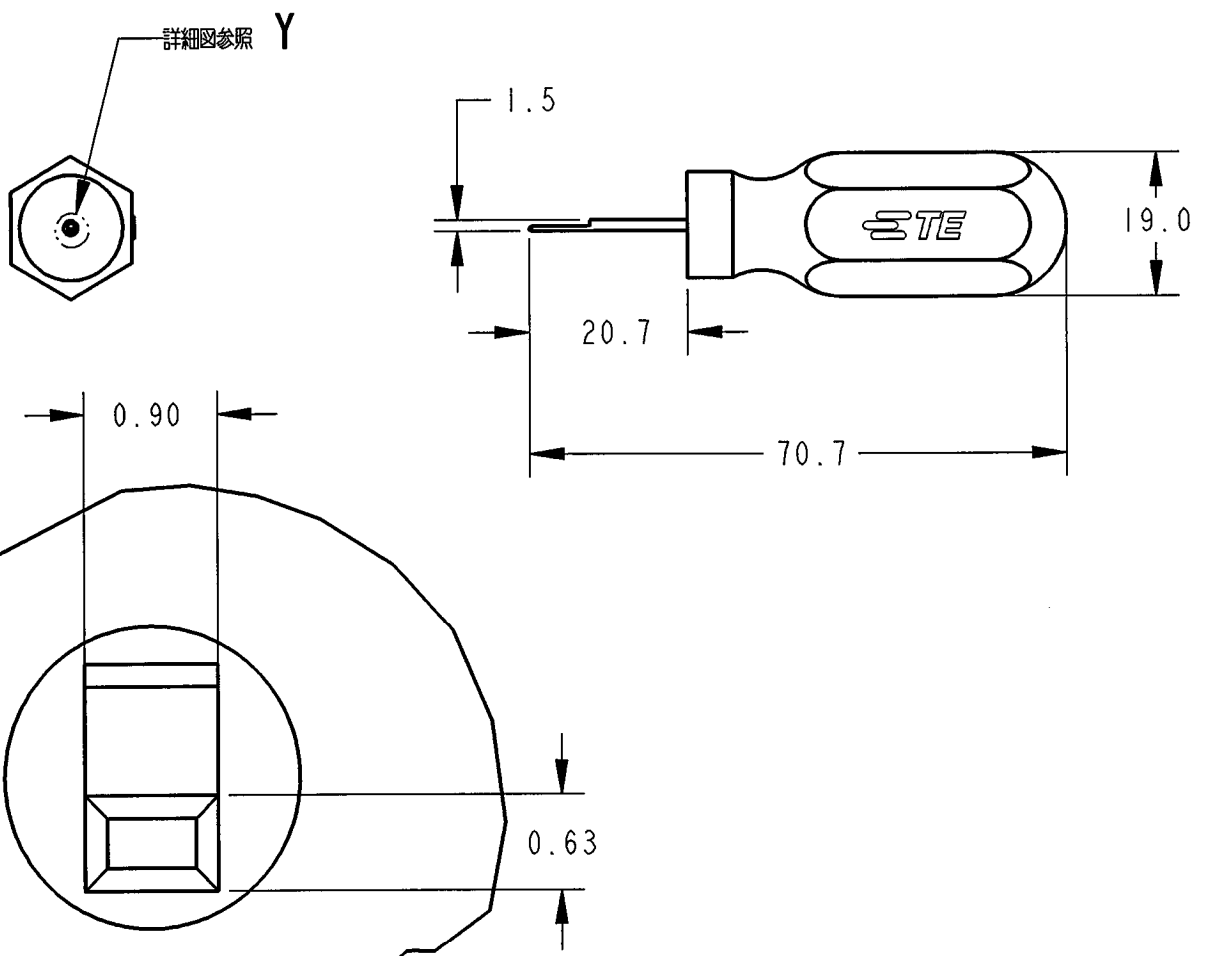


LOC	DIST	REVISIONS					
J	-	P	LTR	DESCRIPTION	DATE	DWN	APVD
		A		ECR-18-004707 CORRECTED	29MAR2018	SN	SJ

-1: AS SHOWN  
本図



- 1 APPLICABLE PRODUCTS 通用製品
- TERMINAL REC(STRIP): 131805/106-□
  - TERMINAL REC(L.P.): 1318107/108-□
  - TERMINAL TAB(STRIP): 131809/110-□
  - TERMINAL TAB(L.P.): 1318111/112-□
  - TAB HOUSING : 1318114~117-□
  - REC HOUSING : 1318118~120-□

2 INSTRUCTION SHEET NO: 411-5900  
取扱説明書番号

RELEASED FOR PUBLICATION 19

THIS DRAWING IS UNPUBLISHED. BY AMP INCORPORATED. ALL RIGHTS RESERVED. © COPYRIGHT 19

DIMENSIONS: mm  TOLERANCES UNLESS OTHERWISE SPECIFIED:  0 PLC ± 1 PLC ± 2 PLC ± 3 PLC ± 4 PLC ± ANGLES -	DWN J. KOGA 22-Feb-99	MATERIAL	FINISH				
	CHK J. KOGA 22FEB99	TE Connectivity					
	APVD S. YABE 22FEB99						
	PRODUCT SPEC -	NAME EXT-TOOL FOR DYNAMIC D2 CONN					
APPLICATION SPEC 114-5258	SIZE A4	CAGE CODE 00779	DRAWING NO C-1276716	RESTRICTED TO -			
WEIGHT -	CUSTOMER DRAWING			SCALE   :	SHEET 	OF 	REV A