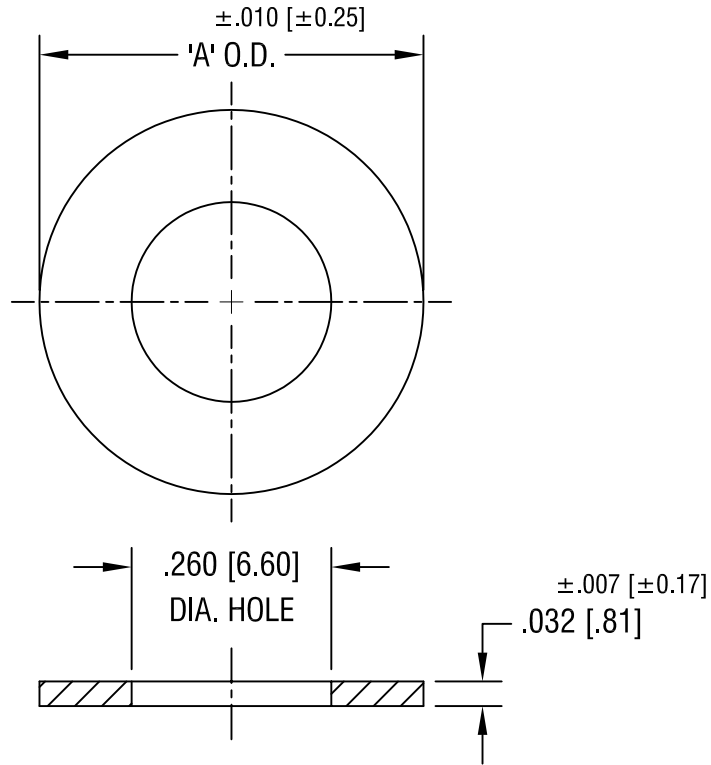


THIS DOCUMENT IS THE PROPERTY OF
KEYSTONE ELECTRONICS CORP. AND
SHALL NOT BE REPRODUCED, DISTRIBUTED
OR USED AS A BASIS FOR MANUFACTURE
WITHOUT PRIOR WRITTEN PERMISSION
FROM KEYSTONE ELECTRONICS CORP.



'A' O.D. DIM.	MAT'L: FIBRE	MAT'L: NYLON
.437 [11.09]	3134	3138
.500 [12.70]	3135	-
.625 [15.87]	3136	3139
.750 [19.05]	3137	3140

KEYSTONE ELECTRONICS CORP.

ASTORIA, N.Y. 11105-2017

PART NAME				FLAT WASHER			
MATERIAL				AS NOTED			
FINISH		DRN BY		DATE			
-		BOONE		8.23.82			
		APP'D		SCALE			
		LN		4X			
TOLERANCES		INCH [MM]		CODE		DWG NO.	
DECIMAL		$\pm .005$ [± 0.15]		C/M		3134-3140	
ANGULAR		$\pm 1^\circ$		UNLESS OTHERWISE SPECIFIED			

9.15.94	CHANGE AS PER ECR 94-053	A
DATE	DESCRIPTION	REV.