

Qlite 1000

Specifications sheet

General

Product name	: Qlite 1000
Product description	: 12 VDC Compact Fluorescent Lamp with integrated preheat inverter and interchangeable tube. For use with standard e17 range only.
Connector Base	: E17
Operating Temperature	: -10°C to +55°C
Storage Temperature	: -40°C to +85°C
Available Lumen Range	: 100 to 1000 Lumen
Available Light Output Colors	: Warm White, Cool Daylight
Standard Available Types	:

Electrical Output

Nominal operating voltage	: 12.0 VDC
Minimum operating voltage	: 10.0 VDC
Maximum operating voltage	: 14.5 VDC
Nominal operating current	: 1.40 Amp
Maximum operating current	: 1.50 Amp
Electric Power Consumption (KJoule)	: 60 KJoule/Hour
Electric Power Consumption (Watt)	: 18 Watts
Inverter operating frequency	: 40 - 50 kHz
Inverter Efficiency	: > 80%

Lighting Output

Luminous Flux	: 1000 Lumen
Luminous Efficacy	: 55 Lumen / watt
Color Description	: 865 Cool Daylight
Color Temperature	: 6500°K

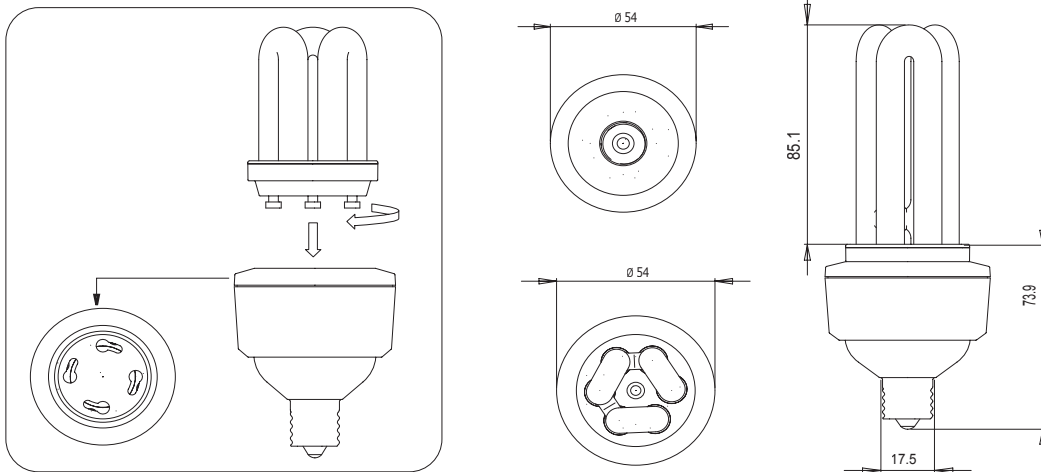
Life Expectancy

Tubelifetime @ 70% Lumen Maintenance	: > 10.000 hrs
Tube Switching Cycles	: > 100.000 on-off cycles
Inverter operating hours	: > 50.000 hrs

Mechanical Details

Lamp Enclosure Materials	: Fireretardant ABS / UV stabilized
Connector material	: Brass / Nickel plated
Product dimensions (HxDia)	: 138mm x 55mm
Nett product weight	: 0.094 kg

Mechanical Product Drawing



Protection and Sertifications

Reverse Polarity Protection	: Yes
Enclosure protection class	: IP 55
CE Compliance	: Yes
C-Tick Compliance	: Yes

Packing Details

Standard packaging	: 24 pcs.
Packing Dimensions (LxWxH)	: 345 x 230 x167 mm
Gross weight	: 3.60 kg
Volume / Pcs. per m3	: 0.014 m3 / 81 boxes per m3

Because of continuous research and development of our products the information and specifications in this data sheet are subject to change without prior notice.