

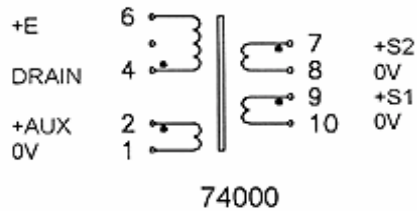
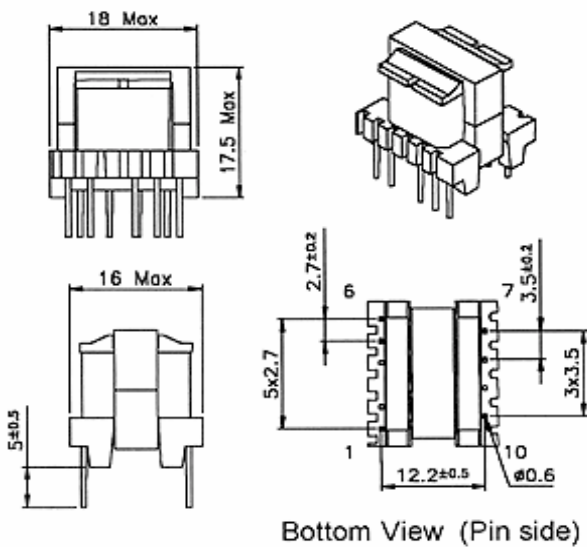


Control IC Manufacturer	Control IC P/N	Input voltage	Power	Frequency
Power Integrations	TOP242P	85 - 265 Vrms	5 w	132 kHz
ST Microelectronics	VIPer20	85 - 265 Vrms	4 w	70 kHz

SIZE E16 - 2 OUTPUTS : 5 & 12V - FLYBACK TRANSFORMER							
MYRRA Part N°	Output Power max	Windings					
			Pins	Turns	Voltage	Current max	Inductance (+/-10%)
74000	5w	Pri	4 - 6	138	62 - 130 (VOR)	0.27 Apeak	3900µH
		Aux	2 - 1	16	7 - 14 Vdc	0.1 Adc	
		S1	9 - 10	8	3.3 - 7 Vdc	1.2 Adc	
		S2	7 - 8	19	8 - 17 Vdc	0.4 Adc	

[View the schema](#)

- Primary / Secondary Insulation  $\geq$  4000V
- Primary Auxiliary Insulation  $\geq$  1500V
- Creepage distances Primary / secondary  $\geq$  6mm
- Ambient temperature  $<$  70°C
- Construction conforms to CEI950, CEI335, CEI61558 for reinforced insulation
- Exclusively uses UL94-VO listed materials



PIN 3 Removed  
PCB Drilling Diameter = 1.1mm