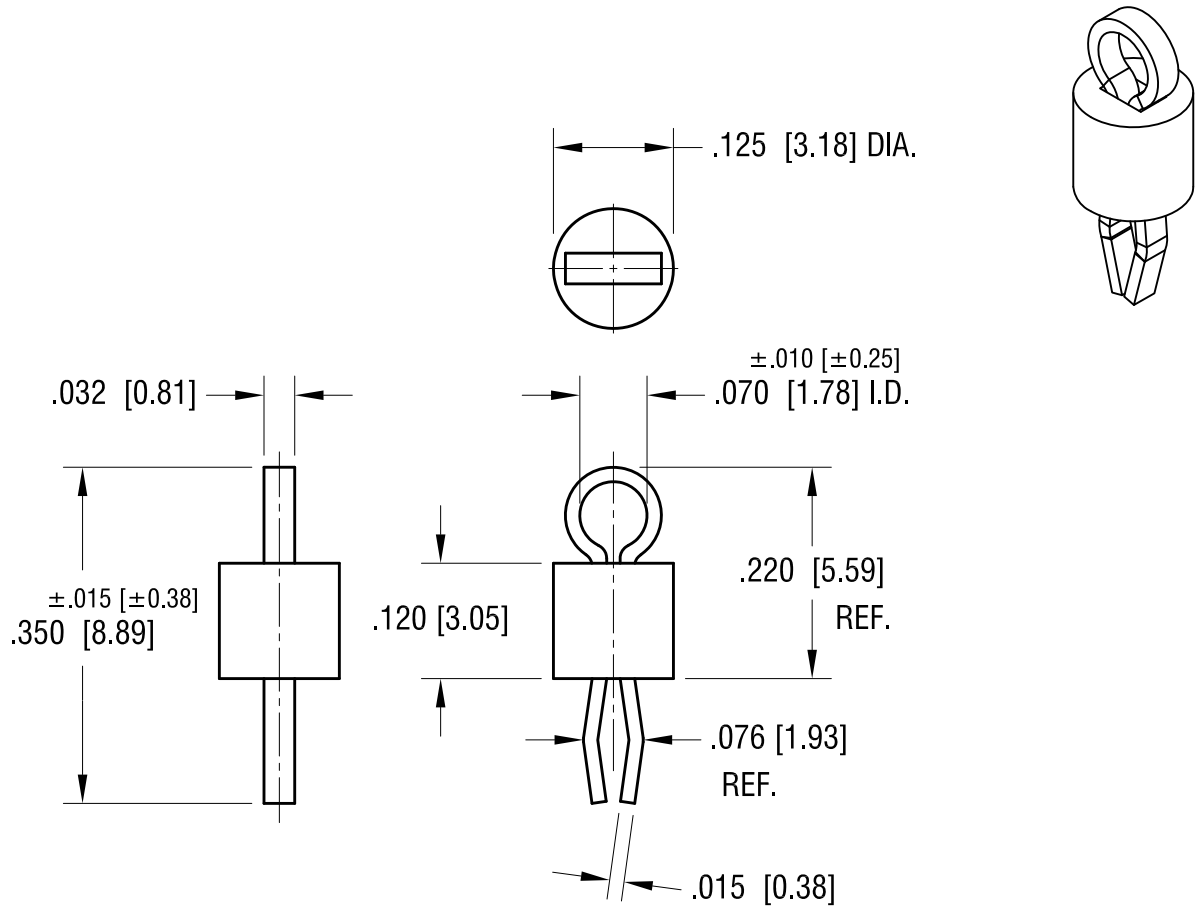


THIS DOCUMENT IS THE PROPERTY OF  
KEYSTONE ELECTRONICS CORP. AND  
SHALL NOT BE REPRODUCED, DISTRIBUTED  
OR USED AS A BASIS FOR MANUFACTURE  
WITHOUT PRIOR WRITTEN PERMISSION  
FROM KEYSTONE ELECTRONICS CORP.



NOTES:

- 1. TERMINAL:  
MAT'L - PHOSPHOR BRONZE WIRE
- BASE:  
MAT'S - HEAT RESISTANT NYLON 46  
COLOR- WHITE

<b>KEYSTONE ELECTRONICS CORP.</b>			
www.keyelco.com • ASTORIA, N.Y. 11105-2017 • Tel (718) 956-8900			
PART NAME		PC TEST POINT - COMPACT	
MATERIAL		AS NOTED	
FINISH		DRN BY	DATE
SILVER PLATE		NT	12.09.08
		APP'D	SCALE
		LN	5X
TOLERANCES	INCH [MM]	CODE	DWG NO.
DECIMAL	± .005 [± 0.15]	C	<b>5007</b>
ANGULAR	± 1°		
UNLESS OTHERWISE SPECIFIED			

6.03.09	CHANGE AS PER ECN 09-043	E
DATE	DESCRIPTION	REV.