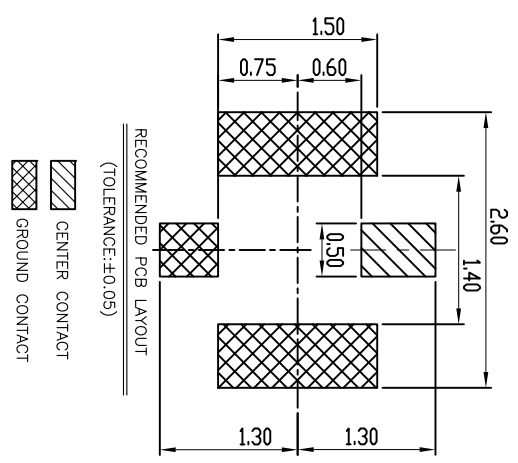
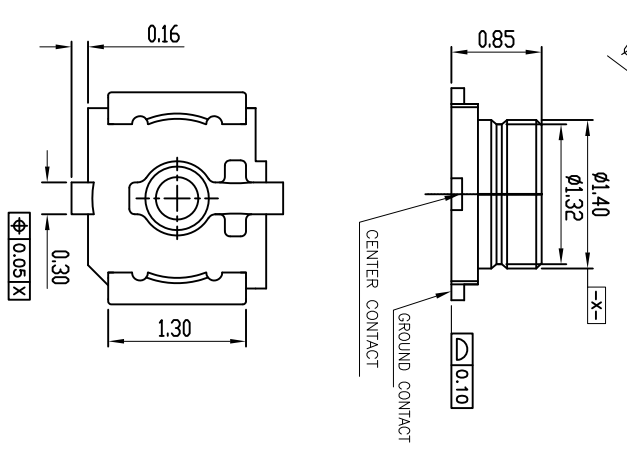
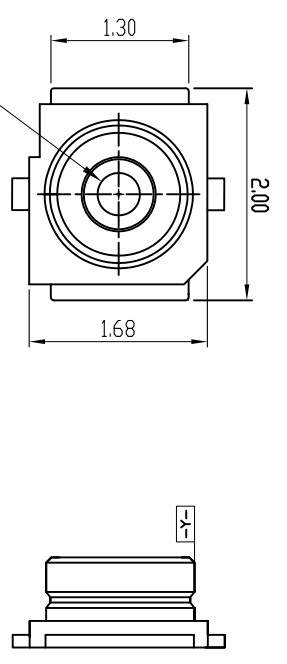


WHEN CARD IS EJECTED	WHEN CARD IS INSERTED	A	Housing	LCP UL94V-0, Color: Black
		B	Contact	Brass C2680, Gold Flash
		C	Ground	Phosphor Bronze, Gold Flash
		D		



SPECIFICATION:

1. ELECTRICAL
 - 1.1 Current Rating: 1A
 - 1.2 Voltage Rating: 60VAC
 - 1.3 Contact Resistance:
 - Inner Contact | Initially: 20mΩ
 - Ground Contact | Initially: 20mΩ
 - 1.4 Insulation Resistance: 500MΩ
 - 1.5 Dielectric Withstanding Voltage: 200VAC for 1 minute
 - 1.6 VSWR: 100MHz to 3GHz | 1.3Max
3GHz to 6GHz | 1.4Max
 - 1.7 Nominal Characteristic Impedance : 50Ω
 - 1.8 Applicable Frequency : 100MHz to 6GHz
2. MECHANICAL
 - 2.1 Durability: 30 Cycle
3. ENVIRONMENTAL
 - 3.1 Operating temperature range: -40°C to +85°C
 - 3.2 Storage temperature range: -40°C to +85°C
4. SOLDER ABILITY
 - 4.1 Recommended IR Reflow Temperature: 260°C

REV.	DESCRIPTION	DATE	REV.	DESCRIPTION	DATE	REV.	DESCRIPTION	DATE
1			1			1		

REV.	DESCRIPTION	DATE	REV.	DESCRIPTION	DATE
1			1		

REV.	DESCRIPTION	DATE	REV.	DESCRIPTION	DATE
1			1		

REV.	DESCRIPTION	DATE	REV.	DESCRIPTION	DATE
1			1		



 DRAWN NAME:

 Micro Coaxial RF Connector 0.85mm Hight

 www.attend.com.tw

UNLESS OTHERWISE SPECIFIED TOLERANCE	ANGLES	LINEAR	SCALE	AS SHOWN	UNIT: mm
	ANG.	0.	0.00	AS SHOWN	mm
		±0.3			
		±0.25			
		±0.20			

PRODUCT NO. MRF3
 MRF1, Contact Area: Gold Flash
 PIN ASSIGNMENT