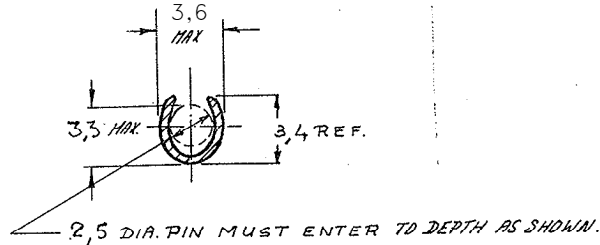
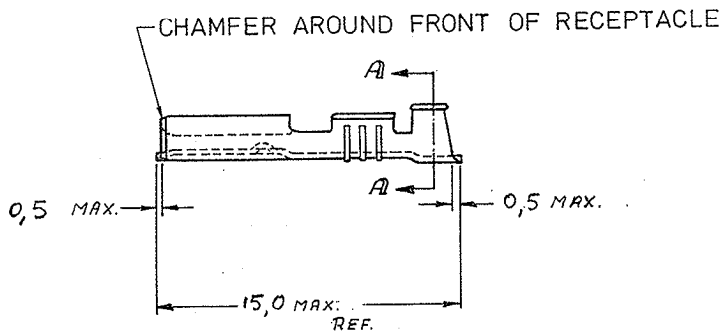


LOC	DIST
IR	-

REVISIONS

P	LTR	DESCRIPTION	DATE	DWN	APVD
J		FIRST ISSUE	02MAY2007	HY	GT
J1		ADDED WIRE & INSULATION RANGE 02MAY07		HY	GT
J2		REVISED PER ECO-09-026346	25NOV09	KK	AEG
J3		INSULATION BARREL WIDTH CORRECTED	20MAR12	PKS	RRP



SEC: A-A

1 OBSOLETE PARTS: OBSOLETE CIS STREAMLINING PER D.RENAUD/D.SINISI

1	6-160555-0	TIN LEAD	PHOSPH. BRONZE	<del>5-160556-5</del>	0	
	5-160555-4	PLAIN	PHOSPH. BRONZE	<del>5-160556-4</del>	0	
OBSOLETE	5-160555-3	SILVER PLATED	BRASS	<del>5-160556-3</del>	0	
	5-160555-2	TIN PLATED	BRASS	5-160556-2	0	
1	OBSOLETE	5-160555-1	PLAIN	BRASS	<del>5-160556-1</del>	0
	0-160484-8	TIN LEAD	BRASS	0-160539-7	-	
1	OBSOLETE	0-160484-7	PRE-TIN PLATED	PHOSPH. BRONZE	0-160539-6	-
	OBSOLETE	0-160484-6	TIN PLATED	PHOSPH. BRONZE	0-160539-5	-
	OBSOLETE	0-160484-3	SILVER PLATED	BRASS	<del>0-160539-3</del>	J
	OBSOLETE	0-160484-4	TIN PLATED	BRASS	0-160539-2	J
	OBSOLETE	0-160484-1	PLAIN	BRASS	0-160539-1	J
	OBSOLETE	STRIP FORM	FINISH	MATERIAL	P/N	REV

WIRE RANGE 0,5-1,0 mm<sup>2</sup>.  
INSULATION RANGE 2,0-2,5 mm.

<small>THIS DRAWING IS A CONTROLLED DOCUMENT FOR TYCO ELECTRONICS CORPORATION. IT IS SUBJECT TO CHANGE AND THE CONTROLLING ENGINEERING ORGANIZATION SHOULD BE CONTACTED FOR THE LATEST REVISION.</small>		DWN	02MAY2007	
DIMENSIONS:		CHK	H. Yeali	
mm	TOLERANCES UNLESS OTHERWISE SPECIFIED:	APVD	-	
	0 PLC ±	PRODUCT SPEC	G. Turco	
	1 PLC ±0.3	APPLICATION SPEC	-	
	2 PLC ±	WEIGHT	-	
	3 PLC ±	CUSTOMER DRAWING	-	
	4 PLC ±	SCALE	4:1	
	ANGLES ±1°	SHEET	1 OF 1	
MATERIAL	SEE TABLE	FINISH	-	
		RESTRICTED TO	-	
		SIZE	A300779	
		CAGE CODE	C-160539	
		DRAWING NO	-	
		REV	J3	



FASTON Connector, 2.8 mm series  
RECEPTACLE CONTACT  
LOOSE PIECE VERSION