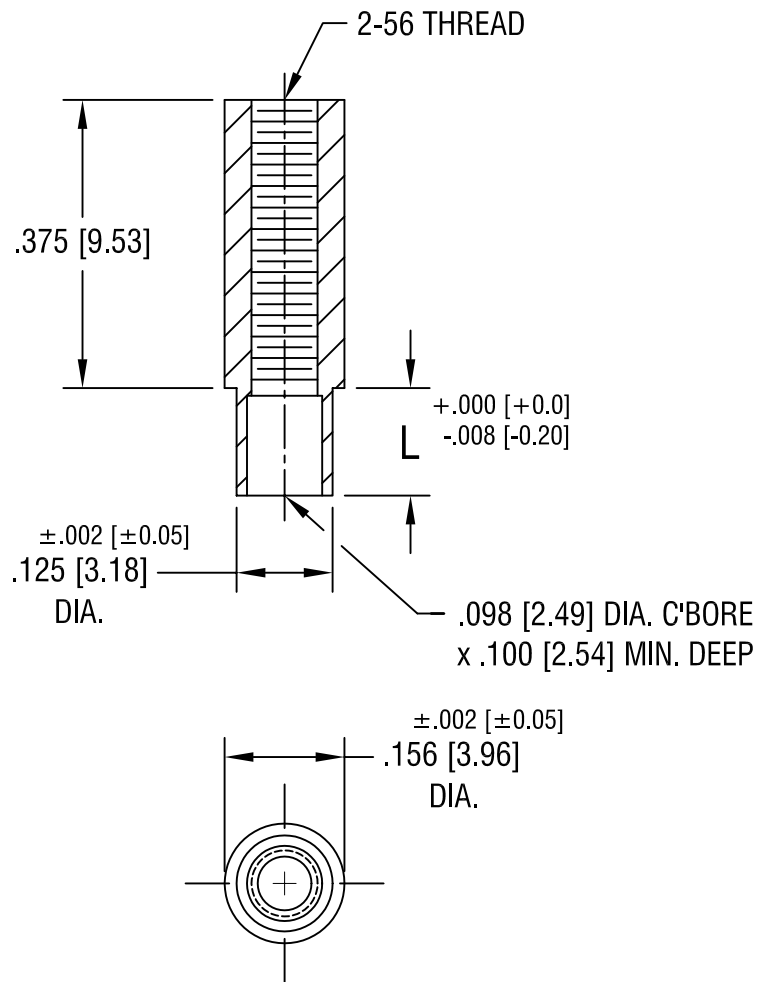


THIS DOCUMENT IS THE PROPERTY OF
KEYSTONE ELECTRONICS CORP. AND
SHALL NOT BE REPRODUCED, DISTRIBUTED
OR USED AS A BASIS FOR MANUFACTURE
WITHOUT PRIOR WRITTEN PERMISSION
FROM KEYSTONE ELECTRONICS CORP.



| PART NO. | 'L' DIM. |
|----------|-------------|
| 1596-2 | .109 [2.77] |
| 1596-3 | .140 [3.56] |

| KEYSTONE ELECTRONICS CORP. | | | |
|--------------------------------------|-----------------|-----------------|-----------------|
| ASTORIA, N.Y. 11105-2017 | | | |
| PART NAME SWAGE THREADED STANDOFF | | | |
| MATERIAL BRASS | | | |
| FINISH DUCTILE NICKEL PLATE | | DRN BY BOONE | DATE 5.10.02 |
| | | APP'D | SCALE 4X |
| TOLERANCES | INCH [MM] | CODE | DWG NO. |
| DECIMAL | ± .005 [± 0.15] | C/M | 1596- |
| ANGULAR | ± 1° | | |
| UNLESS OTHERWISE SPECIFIED | | | |

| DATE | DESCRIPTION | REV. |
|------|-------------|------|
| | | |