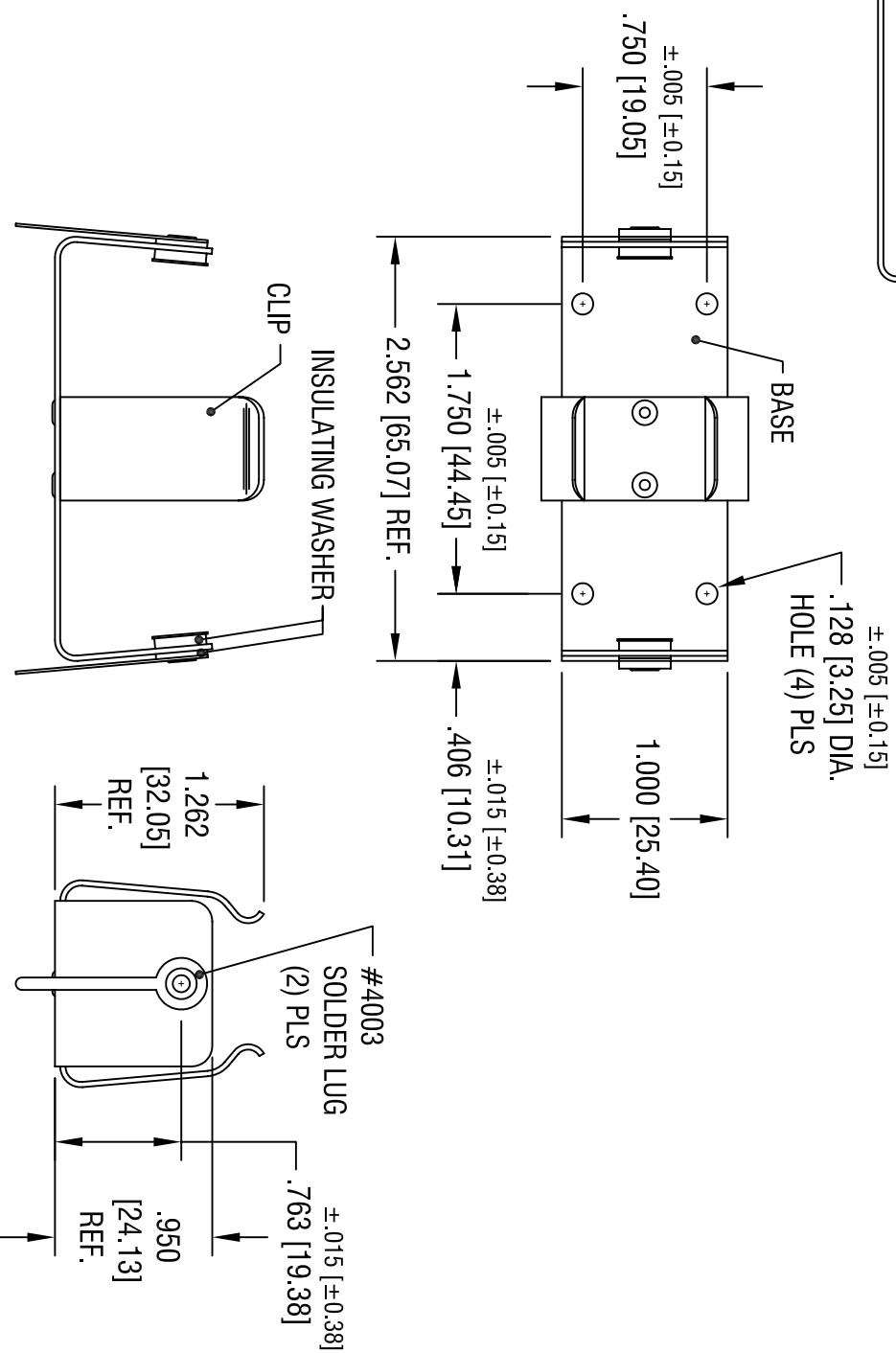
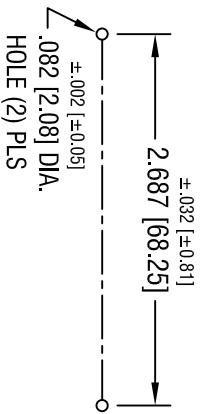


RECOMMENDED SPACING FOR PC LUGS



NOTES:

1. BASE: MAT'L - .032 [.81] THK ALUMINUM
CLIP: MAT'L - .032 [.81] THK ALUMINUM
SOLDER LUG: MAT'L - BRASS
FINISH - TIN PLATE

KEYSTONE ELECTRONICS CORP.

ASTORIA, N.Y. 11105-2017

PART NAME

BATTERY HOLDER, (1) 'D' CELL

MATERIAL

AS NOTED

FINISH

AS NOTED

DATE

DESCRIPTION

REV.

THIS DOCUMENT IS THE PROPERTY OF KEYSTONE ELECTRONICS CORP. AND SHALL NOT BE REPRODUCED, DISTRIBUTED OR USED AS A BASIS FOR MANUFACTURE WITHOUT PRIOR WRITTEN PERMISSION FROM KEYSTONE ELECTRONICS CORP.

TOLERANCES	INCH	[MM]	CODE	DWG NO.
DECIMAL	± .010	[± 0.25]	C	2226
ANGULAR	± 1°			

DRN BY: BOONE DATE: 6.22.07

App'D: SCALE: .9X