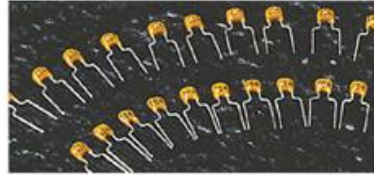


FEATURES

- + Wide capacitance, TC, voltage and tolerance range
- + Industry standard sizes
- + Tape and Reel available for auto placement
- + Various lead spacing available



HOW TO ORDER

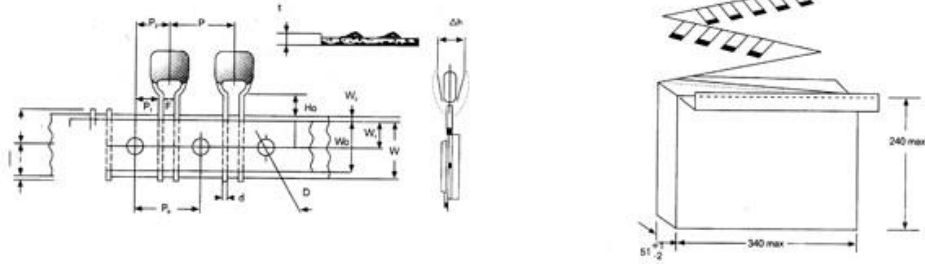
CC4	0805	CG	102	K	500	F
CC4: 1 Class I Radial leads MLC	Size code inches 0805 0.08 x 0.05	Dielectric CG COG (NPO) B X7R F Y5V E Z5U	Nominal Capacitance 102 10 x 10 ² 5R0 5.0	Tolerance B ±0.10PF C ±0.25PF D ±0.5PF F ±1.0% G ±2.0% J ±5.0% K ±10% M ±20% S +50-20% Z +80-20% P ±100%	Rated Voltage 100 16 x 10 ⁰ 250 25 x 10 ⁰ 500 50 x 10 ⁰ 630 63 x 10 ⁰ 101 10 x 10 ¹ 201 20 x 10 ¹ 501 50 x 10 ¹ 102 10 x 10 ² 202 20 x 10 ²	Packaging Style Tape & Reel P Ammo T Reel F Bulk (mm) F ₁ 2.54 F ₂ 4.57 F ₃ 5.08 F ₄ 7.5 F ₅ 3.5

Size Code	Dimensions: (mm)					Voltage	Capacitance (PF)		
	F(±0.2)	Hmin(±0.5)	Lmax	Wmax	Tmax		COG (NPO)	X7R	Y5V (Z5U)
0805	a	2.54	5.0						
	b	2.54	10.0						
	c ₁	5.08	5.0 10.0	4.2	3.8	3.8	25V 0R-332	331-104	103-105
	c ₂	5.08	5.0				50V 0R5-222	331-473	103-684
	c ₃	5.08	5.0 10.0				100V 0R5-102	331-223	
1206	a	2.54							
	b	3.50	10.0	5.0	4.5	3.8	25V 0R5-682	102-224	103-125
	c ₁	5.08					50V 0R5-472	102-104	103-105
1210	b	3.50	10.0	7.6	5.5	3.8	25V 561-103	102-334	104-155
	c ₁	5.08					50V 561-682	102-224	104-155
							100V 561-472	102-104	
1812	b	4.75	10.0	8.5	8.5	3.8	25V 102-153	103-474	154-335
							50V 102-103	103-334	154-325
							100V 102-682	103-224	
2225	b	5.50	10.0	10.5	9.5	4.2	25V 102-223	103-105	684-475
							50V 102-223	103-105	684-335
							100V 102-103	103-474	
3035	b	7.50	10.0	12.5	10.5	4.2	25V 102-104	103-225	105-106
							50V 102-473	103-225	105-685
							100V 102-333	103-105	

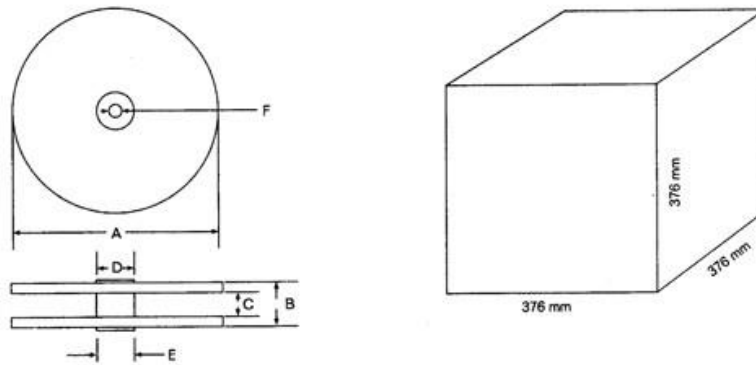
PRO-AN Electronic Co., Ltd.
Address: Room 3., Block A, 1/F., Vcristrong Industrial Centre, 34-36 Au Pui Wan Street, Fotan, Shatin, N.T., Hong Kong
Tel: 852-26090123 Fax: 852-2609-0199 E-mail: info@proan.com.hk http://www.proan.com.hk
Ref: MONOR.doc

PACKAGING STYLE

Ammo package



Code	P	P ₀	P ₁	P ₂	d	h	W	W ₀	W ₁	W ₂	H ₀	1	D	t	L ₀
Dim	12.7	12.7	3.75 ± 0.1	6.35	0.5	0	18	13	9	3.0	7-12	1.0	4.0	0.7	11
Tol.	±1	±0.8	±0.7	±1.3	±0.1	±2	±0.8	±1	±0.5	MAX	±0.5	MAX	MAX	MAX	MAX



Reel Package (mm)

A	B	C	D	E	F
355-365	50.8 max	38.10 - 46.02	102.01 max	86.36 max	25.40 - 30.48

Packaging Quantity

Ammo	Reel Package	Bulk Package
2500	4000	1000, 5000

Remark:

Pitch = 2.54 P1 = 5.1 ± 0.7
Pitch = 5.08 P1 = 3.75 ± 0.7

PRO-AN Electronic Co., Ltd.
Address: Room 3., Block A, 1/F., Veristrong Industrial Centre, 34-36 Au Pui Wan Street, Fotan, Shatin, N.T., Hong Kong
Tel: 852-26090123 Fax: 852-2609-0199 E-mail: info@proan.com.hk http://www.proan.com.hk
Ref: MONOR.doc