

Max. 205 m<sup>3</sup>/h

## DC axial fans

□ 119 x 38 mm



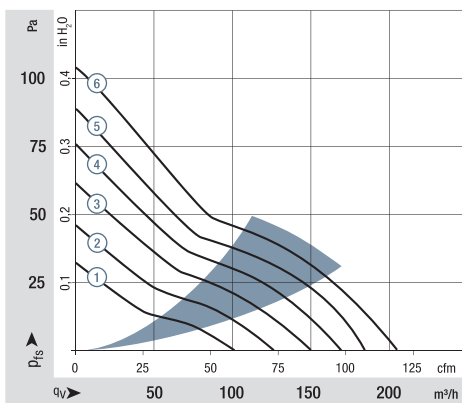
- **Material:** Housing: GRP<sup>1)</sup> (PBT)  
Impeller: GRP<sup>1)</sup> (PA)
  - **Direction of air flow:** Exhaust over struts
  - **Direction of rotation:** Clockwise,  
looking towards rotor
  - **Connection:** Via single wires AWG 24,  
TR 64
  - **Weight:** 270 g
- **Possible special versions:**  
(See chapter DC fans - specials)
    - Speed signal
    - Go / NoGo alarm
    - Alarm with speed limit
    - External temperature sensor
    - Internal temperature sensor
    - PWM control input
    - Analog control input
    - Moisture protection
    - Degree of protection: IP 54

1) Fiberglass-reinforced plastic

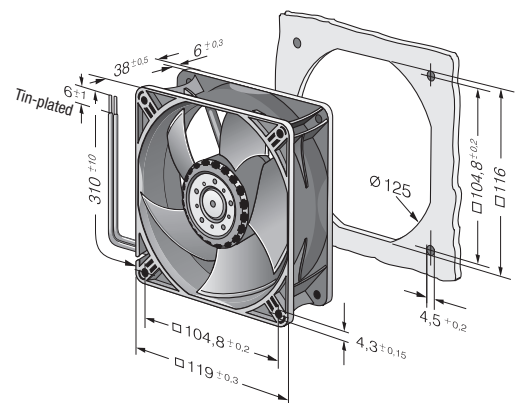
Series 4400														
Nominal data	Air flow		Nominal voltage	Voltage range	Sound pressure level	Sound power level	Sinter sleeve bearings Ball bearings	Power consumption	Nominal speed	Temperature range	Service life L <sub>10</sub> (40 °C) ebm-papst standard	Service life L <sub>10</sub> (T <sub>max</sub> ) ebm-papst standard	Life expectancy L <sub>10</sub> IPC (40 °C) see page 17	Curve
	Type	m <sup>3</sup> /h												
4412 L	150	88	12	7...14	37	5.0	■	2.2	2 700	-20...+80	67 500 / 22 500	115 000	③	
4412 ML	168	99	12	7...15	40	5.1	■	3.0	3 000	-20...+80	67 500 / 22 500	115 000	④	
4412 M	184	108	12	7...14	42	5.3	■	3.8	3 300	-20...+75	65 000 / 25 000	110 000	⑤	
4412 N	205	121	12	7...14	46	5.6	■	5.3	3 650	-20...+70	62 500 / 30 000	105 000	⑥	
4414 L3	100	59	24	12...28	26	4.0	■	1.0	1 800	-20...+80	75 500 / 22 500	127 500	①	
4414 LL	124	73	24	12...28	33	4.5	■	1.6	2 250	-20...+80	70 000 / 22 500	117 500	②	
4414 L	150	88	24	18...28	37	5.0	■	2.4	2 700	-20...+80	67 500 / 22 500	115 000	③	
4414 ML	168	99	24	12...28	40	5.1	■	3.2	3 000	-20...+80	67 500 / 22 500	115 000	④	
4414 M	184	108	24	18...28	42	5.3	■	4.1	3 300	-20...+75	65 000 / 25 000	110 000	⑤	
4414 N	205	121	24	18...28	46	5.6	■	5.4	3 650	-20...+70	62 500 / 30 000	105 000	⑥	
4418 L	150	88	48	36...60	37	5.0	■	2.5	2 700	-20...+75	67 500 / 27 500	115 000	③	
4418 ML	168	99	48	36...60	40	5.1	■	3.2	3 000	-20...+75	67 500 / 27 500	115 000	④	
4418 M	184	108	48	36...60	42	5.3	■	4.2	3 300	-20...+70	65 000 / 32 500	110 000	⑤	
4418 N	205	121	48	36...60	46	5.6	■	5.4	3 650	-20...+70	62 500 / 30 000	105 000	⑥	

Subject to change

Further variants can be found on page 59.



Air performance measured according to: ISO 5801.  
Installation category A, without contact protection.  
Noise: Total sound power level L<sub>WA</sub> ISO 103002  
measured on a hemisphere with a radius of 2 m.  
Sound pressure level L<sub>pA</sub> measured at 1 m distance  
from fan axis.  
The values given are applicable only under the specified  
measuring conditions and may differ depending on the  
installation conditions.  
In the event of deviation from the standard configuration,  
the parameters must be checked after installation!  
For detailed information see  
<http://www.ebmpapst.com/general conditions>



Max. 285 m<sup>3</sup>/h

# DC axial fans

□ 119 x 38 mm



- **Material:** Housing: GRP<sup>1)</sup> (PBT)  
Impeller: GRP<sup>1)</sup> (PA)
  - **Direction of air flow:** Exhaust over struts
  - **Direction of rotation:** Clockwise, looking towards rotor
  - **Connection:** Via single wires AWG 24, TR 64
  - **Weight:** 270 g
- **Possible special versions:** (See chapter DC fans - specials)
    - Speed signal
    - Go / NoGo alarm
    - Alarm with speed limit
    - External temperature sensor
    - Internal temperature sensor
    - PWM control input
    - Analog control input
    - Moisture protection
    - Degree of protection: IP 54

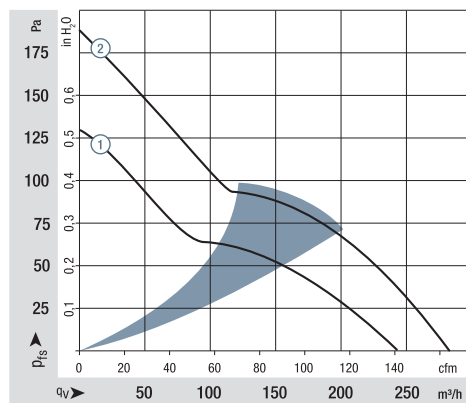
1) Fiberglass-reinforced plastic

Series 4400

## Nominal data

Type	Air flow		Nominal voltage	Voltage range	Sound pressure level	Sound power level	Sinter sleeve bearings Ball bearings	Power consumption	Nominal speed	Temperature range	Service life L <sub>10</sub> (40 °C) ebm-papst standard	Service life L <sub>10</sub> (T <sub>max</sub> ) ebm-papst standard	Life expectancy L <sub>10</sub> (IPC (40 °C) see page 17	Curve
	m <sup>3</sup> /h	cfm												
4412 H	240	141	12	7...14	50	6.0	■	8.6	4 300	-20...+70	57 500 / 27 500		97 500	①
4412/2 HHP	285	168	12	7...14.5	55	6.4	■	13.0	5 000	-20...+70	50 000 / 25 000		85 000	②
4414 H	240	141	24	18...28	50	6.0	■	8.6	4 300	-20...+70	57 500 / 27 500		97 500	①
4414 HH	285	165	24	16...28	55	6.4	■	14.0	5 000	-20...+70	50 000 / 25 000		85 000	②
4414/2 HHP	285	168	24	18...28	55	6.4	■	12.0	5 000	-20...+70	50 000 / 25 000		85 000	②
4418 H	240	141	48	36...60	50	6.0	■	8.6	4 300	-20...+70	57 500 / 27 500		97 500	①
4418/2 HHP	285	168	48	36...60	55	6.4	■	13.0	5 000	-20...+70	50 000 / 25 000		85 000	②

Subject to change



Air performance measured according to: ISO 5801.  
Installation category A, without contact protection.  
Noise: Total sound power level L<sub>WA</sub> ISO 103002 measured on a hemisphere with a radius of 2 m.  
Sound pressure level L<sub>pA</sub> measured at 1 m distance from fan axis.  
The values given are applicable only under the specified measuring conditions and may differ depending on the installation conditions.  
In the event of deviation from the standard configuration, the parameters must be checked after installation!  
For detailed information see <http://www.ebmpapst.com/general conditions>

