



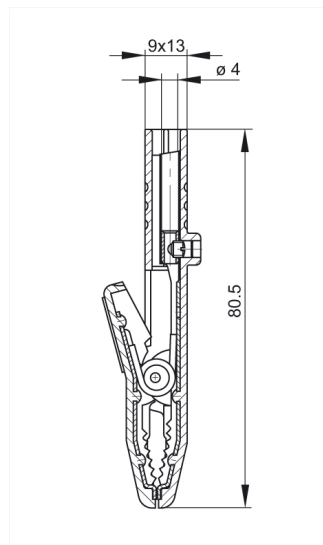
## AK 2 S rot/red

Industrial Connectors:Measuring and Testing Equipment:Alligator clips:4 mm system

### Product description

Description	Insulated, unbreakable alligator clip. Clamping range up to 9.5 mm bolt diameter. The flat part of the jaws (fine wire section) allows even the finest wires to be clamped. 4 mm diameter socket connection and screw connection up to 1.5 mm <sup>2</sup> .
Type	AK 2 S rot/red
Order No.	932 146-101
System	4 mm system
Clamping range	9.5 mm
Housing Color	red
Other standard types	black color, order no. 932 146-100

### Drawing



### Technical data

Type of contact	socket
Type of termination	4 mm socket, screw
Rated voltage	DC 60 V
Rated current	25 A
Contact resistance	10 mOhm

### Material

Contact material	brass
Contact surface material	nickel-plated
Housing material	PP

### Environmental conditions

Temperature range	-25 °C to +80 °C
-------------------	------------------

### Inflammability class

Housing	94 HB
---------	-------