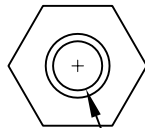
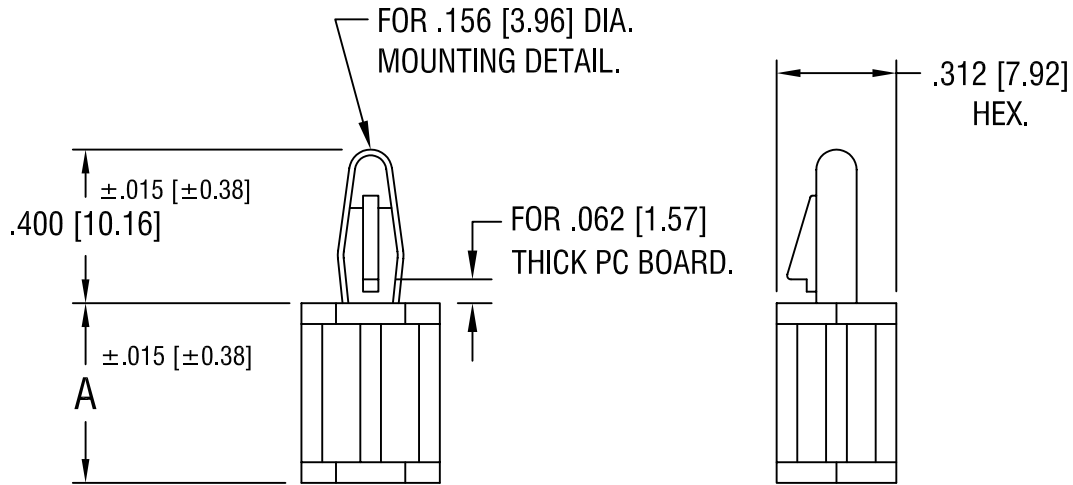


THIS DOCUMENT IS THE PROPERTY OF
KEYSTONE ELECTRONICS CORP. AND
SHALL NOT BE REPRODUCED, DISTRIBUTED
OR USED AS A BASIS FOR MANUFACTURE
WITHOUT PRIOR WRITTEN PERMISSION
FROM KEYSTONE ELECTRONICS CORP.



FOR NO. 6 SELF-TAPPING
SCREW (TYPE B), FOR
HOLE DEPTH SEE CHART

PART NO.	'A' DIM.	HOLE DEPTH
9041	.250 [6.35]	.203 [5.16]
9042	.375 [9.52]	.312 [7.92]
9043	.500 [12.70]	
9044	.625 [15.87]	
9045	.750 [19.05]	
9046	.875 [22.22]	
9047	1.000 [25.40]	

KEYSTONE ELECTRONICS CORP.

ASTORIA, N.Y. 11105-2017

PART NAME		FEMALE SUPPORT	
MATERIAL		NYLON UL 94V-0	
FINISH	-	DRN BY	BOONE
		DATE	8.29.06
		APP'D	SCALE
			2X
TOLERANCES	INCH [MM]	CODE	DWG NO.
DECIMAL	± .005 [± 0.15]	C/M	9041-9047
ANGULAR	± 1°		
UNLESS OTHERWISE SPECIFIED			

DATE	DESCRIPTION	REV.