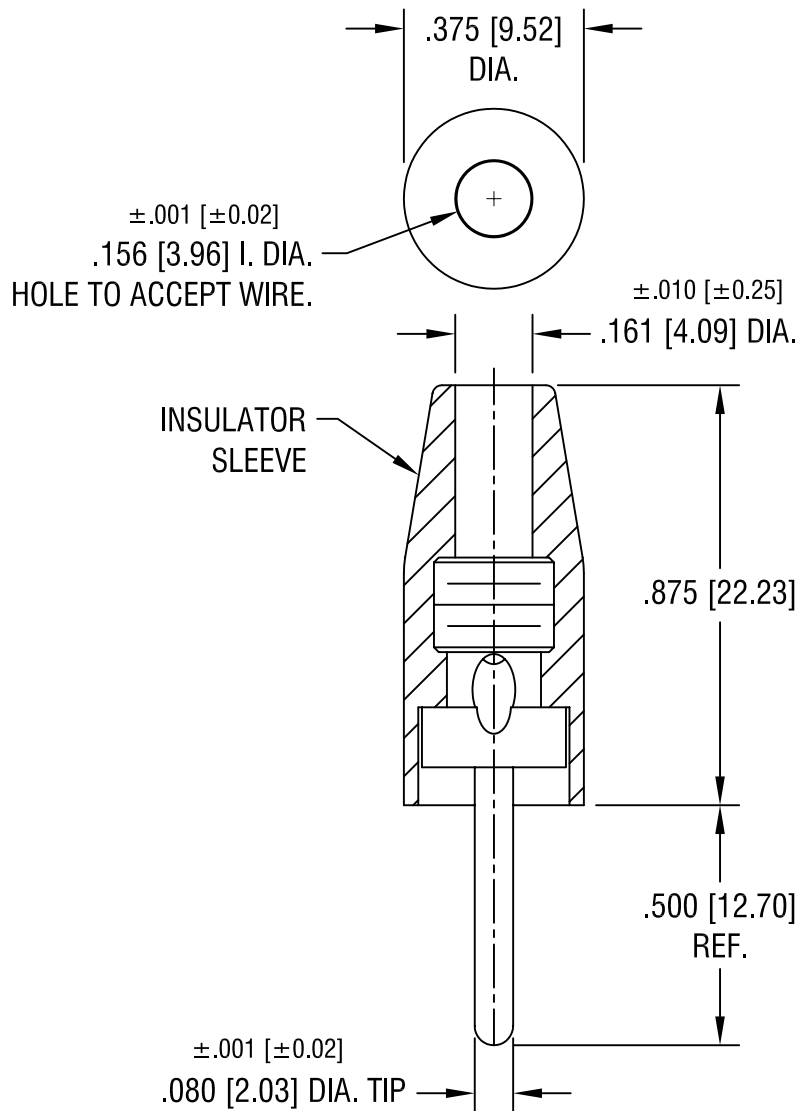


THIS DOCUMENT IS THE PROPERTY OF  
KEYSTONE ELECTRONICS CORP. AND  
SHALL NOT BE REPRODUCED, DISTRIBUTED  
OR USED AS A BASIS FOR MANUFACTURE  
WITHOUT PRIOR WRITTEN PERMISSION  
FROM KEYSTONE ELECTRONICS CORP.



PART NO.	SLEEVE COLOR
6000	WHITE
6001	RED
6002	BLACK
6003	GREEN
6004	YELLOW
6005	BLUE

NOTES:

- TIP: MAT'L - BRASS, NICKEL PLATE  
BODY: MAT'L - NYLON 6/6 PER ASTM D4066

**KEYSTONE ELECTRONICS CORP.**

ASTORIA, N.Y. 11105-2017

PART NAME				SOLDERLESS TEST TIP PLUG			
MATERIAL				AS NOTED			
FINISH		AS NOTED		DRN BY	BOONE	DATE	6.8.06
TOLERANCES		INCH [MM]		APP'D	LN	SCALE	2.5X
DECIMAL		± .005 [± 0.15]		DWG NO.		6000-6005	
ANGULAR		± 1°		C/M		UNLESS OTHERWISE SPECIFIED	

DATE	DESCRIPTION	REV.