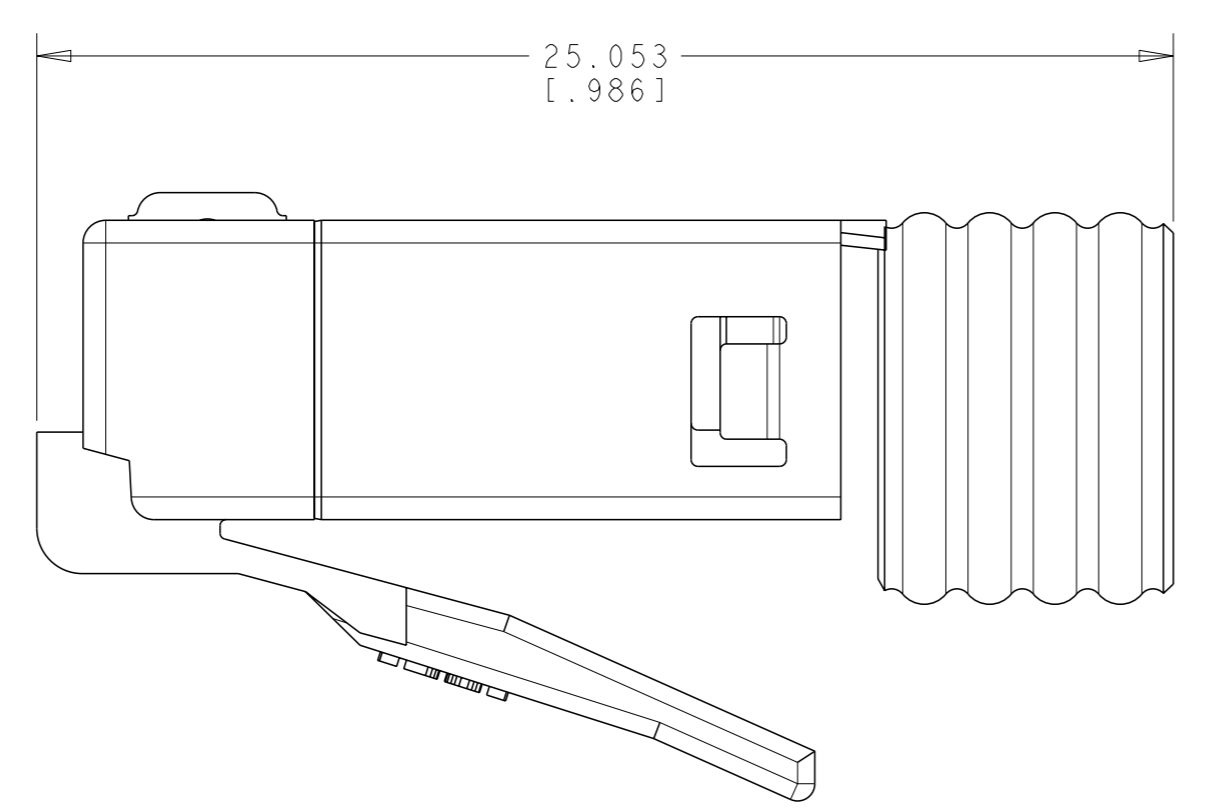
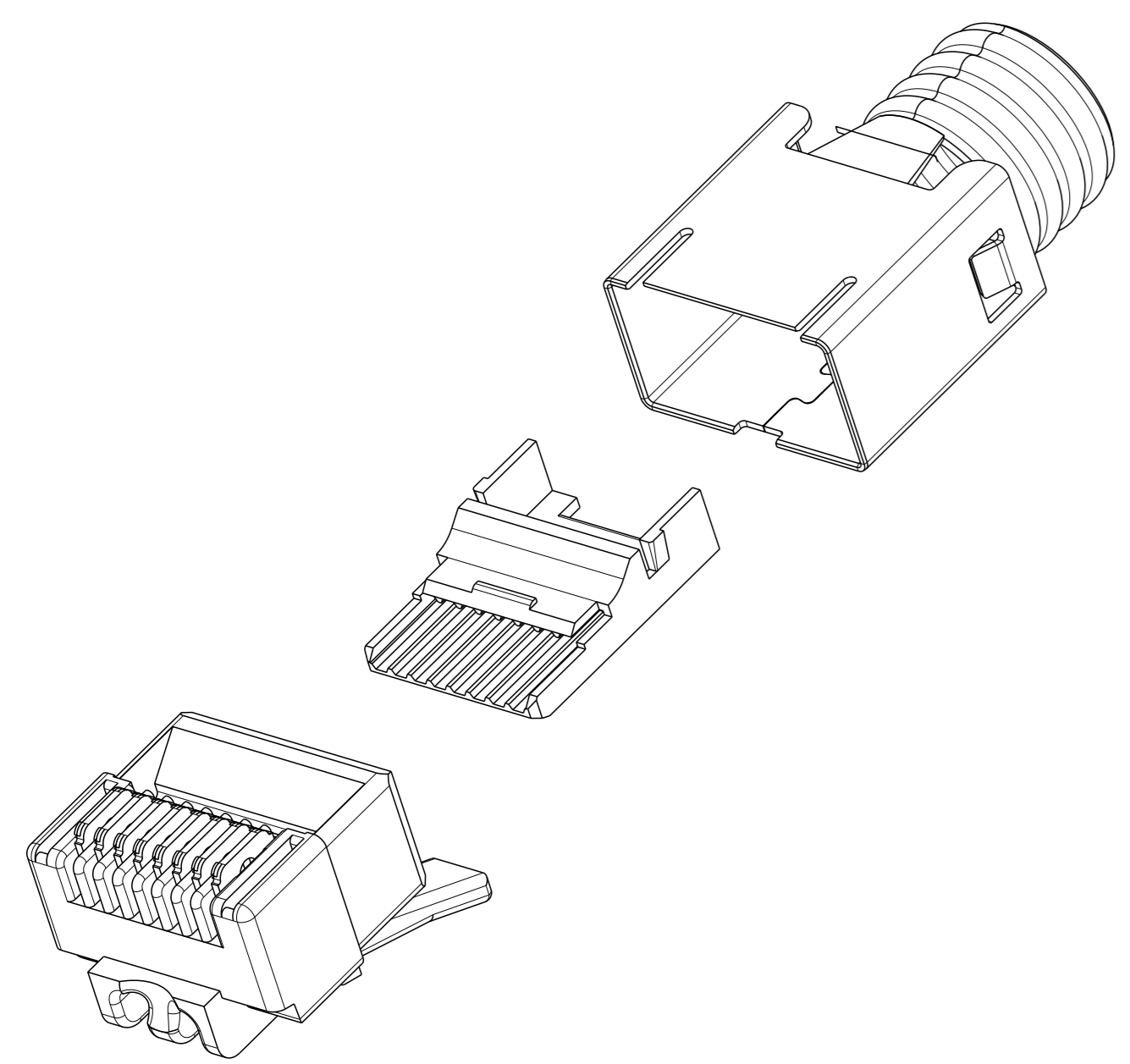


REVISIONS				
#	CL#	DESCRIPTION	DATE	OWN / APVD
A		RLSD: 40023251MCO	14JULY2015	GG / DC
A1		REV: 40032903MCO	15AUG2016	GG / JG

MP-5EMT-

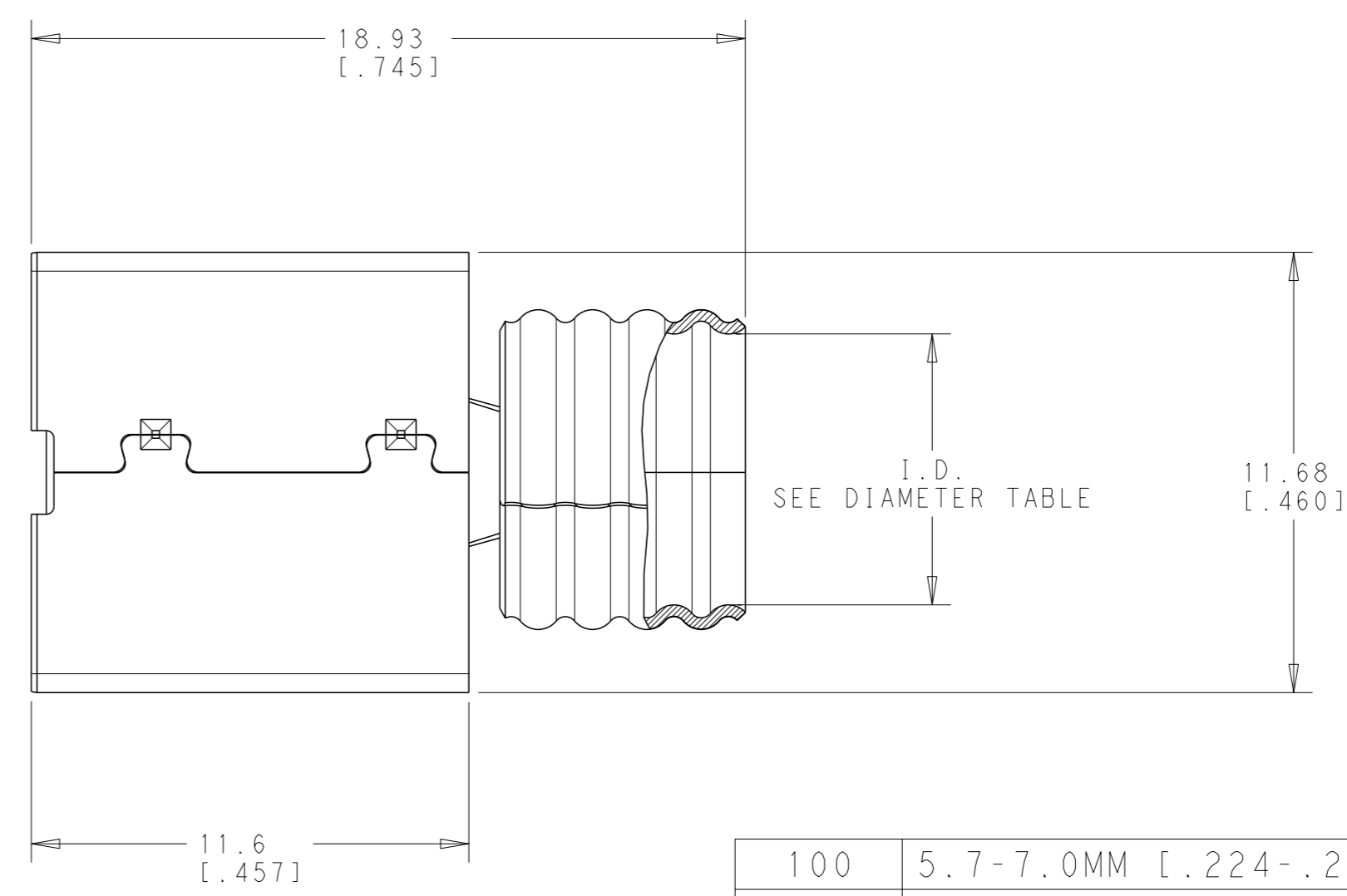
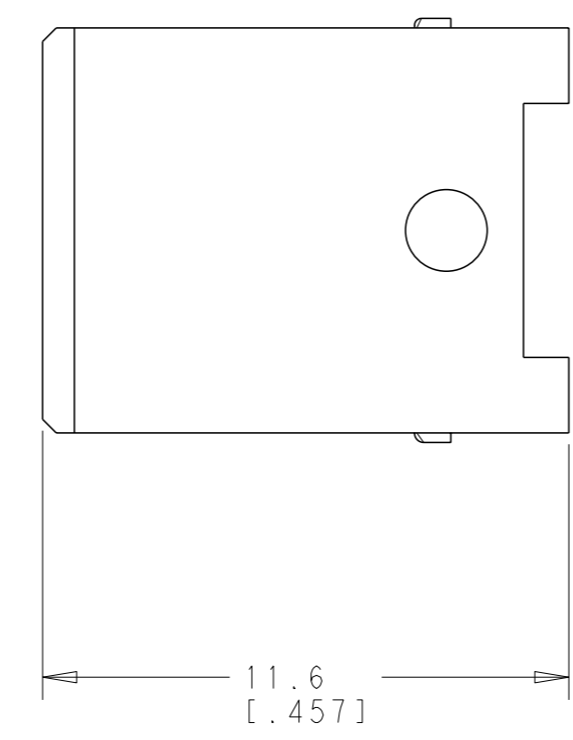
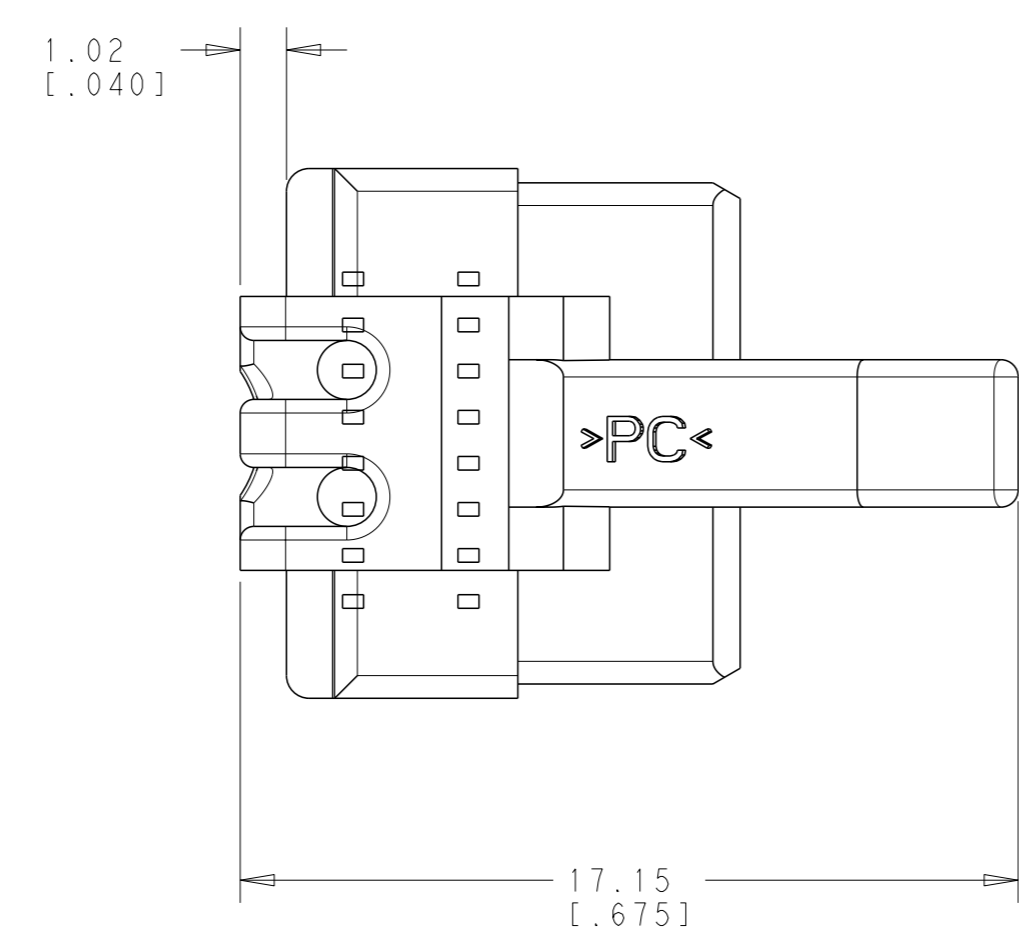
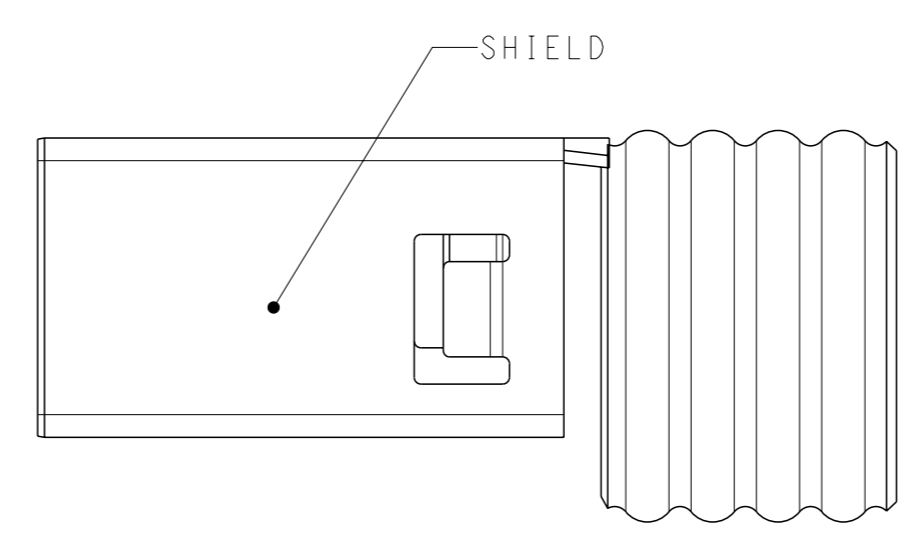
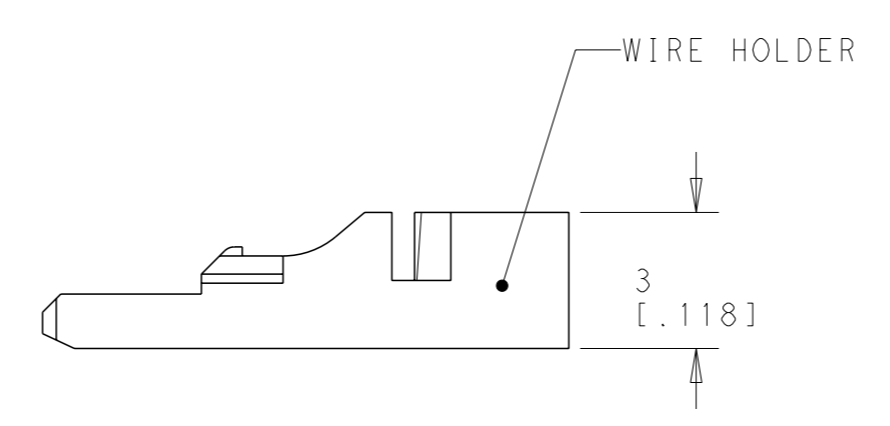
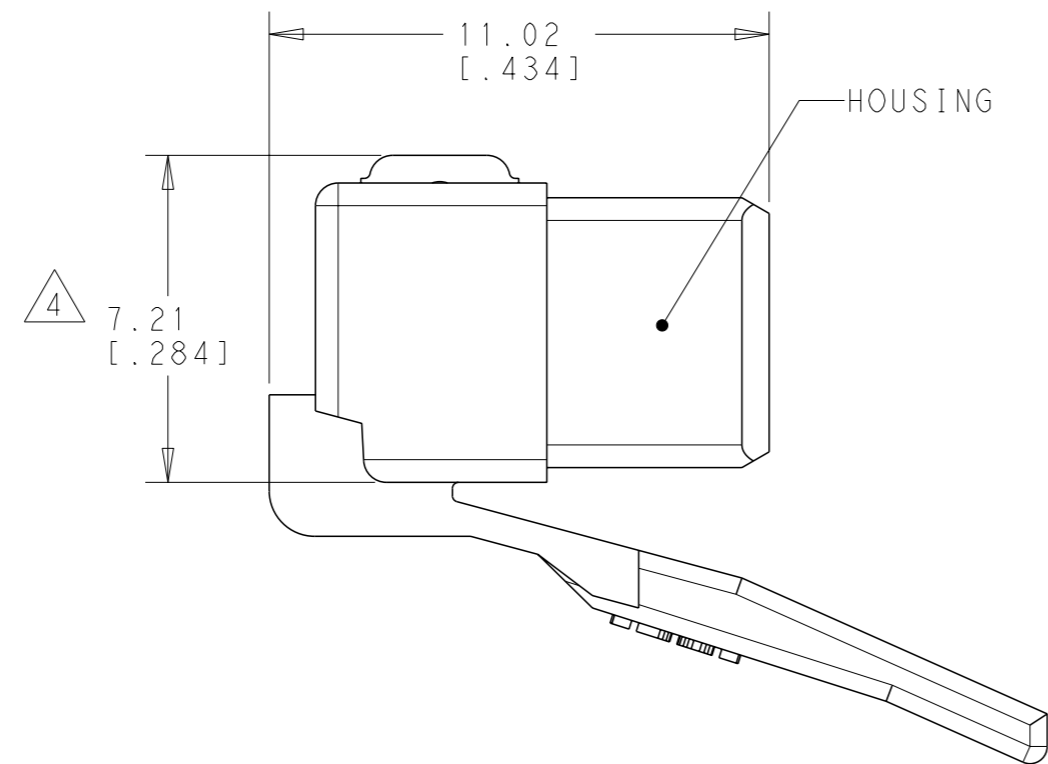
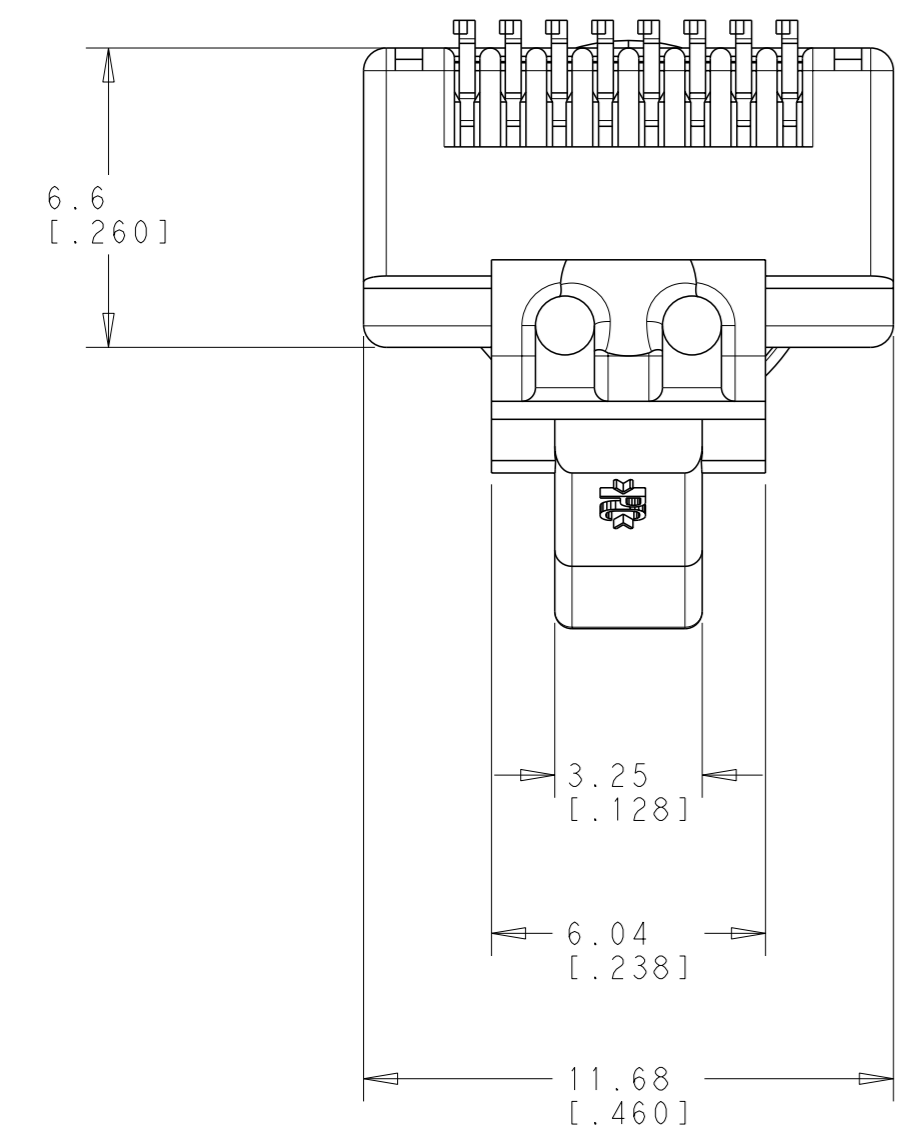


DIAMETER TABLE	
A:	4.7 - 5.5 MM [.185 - .217] IN
B:	5.1 - 6.0 MM [.201 - .236] IN
C:	5.7 - 7.0 MM [.224 - .276] IN

PACKAGE SIZE	
5	= 500
1	= 100

- 1. MATERIAL: HOUSING - 94V-0 RATED POLYCARBONATE CLEAR
 TERMINAL - 0.305 [.012] THICK PHOSPHOR BRONZE PLATED WITH 1.27 μm [.00005] MINIMUM THICK GOLD IN LOCALIZED AREA, OVER 2.54 μm [.000100] MINIMUM THICK NICKEL UNDERPLATE.
 WIRE HOLDER - POLYCARBONATE CLEAR.
 SHIELD - STAINLESS STEEL WITH 0.8 μm [.000031] MINIMUM NICKEL PLATED.
- 2. DIMENSIONS ARE NOMINAL UNLESS OTHERWISE SPECIFIED.
- 3. PLUG WILL ACCEPT A 24-26 AWG STRANDED CONDUCTOR WITH SINGLE A INSULATION OF 0.8 - 1.0 [.031 - .039] OR 23-24 AWG SOLID CONDUCTOR WITH A SINGLE INSULATION OF 0.8 - 1.0 [.031 - .039].
- 4. TERMINATED DIMENSION 5.89 [.232] - 6.15 [.242].
- 5. SLIM-LINE MODULAR PLUG BOOT, PN 2153257-1 FOR "C" VERSION AND PN 2153256-1 FOR "A" OR "B" VERSION.
- 6. UL RECOGNIZED: FILE NUMBER E81956.

FULLY ASSEMBLED



PACKAGE	CABLE DIAMETER	MATERIAL	CATALOG NUMBER
100	5.7-7.0MM [.224-.276]IN	6-2111988-3	MP-5EMT-C-1
500	5.7-7.0MM [.224-.276]IN	6-2111988-2	MP-5EMT-C-5
100	5.1-6.0MM [.201-.236]IN	6-2111986-3	MP-5EMT-B-1
500	5.1-6.0MM [.201-.236]IN	6-2111986-2	MP-5EMT-B-5
100	4.7-5.5MM [.185-.217]IN	6-2111976-3	MP-5EMT-A-1
500	4.7-5.5MM [.185-.217]IN	6-2111976-2	MP-5EMT-A-5

THIS DRAWING IS A CONTROLLED DOCUMENT. OWN: G. GARRETT 17APR2015, CHK: J. GENIAC 17APR2015, APVD: J. GENIAC 17APR2015. NAME: KIT, MOD PLUG, CATEGORY 5E, SHIELDED, CABLE RANGE 4.7 TO 7.0. SIZE: A1, SCALE: 6:1, SHEET: 1 OF 1, REV: A1. MATERIAL: POLYCARBONATE CLEAR, PHOSPHOR BRONZE PLATED, NICKEL PLATED. DIMENSIONS: mm [inches]. TOLERANCES UNLESS OTHERWISE SPECIFIED: 0 PLC ±, 1 PLC ±, 2 PLC ±, 3 PLC ±, 4 PLC ±, ANGLES FINISH ±.