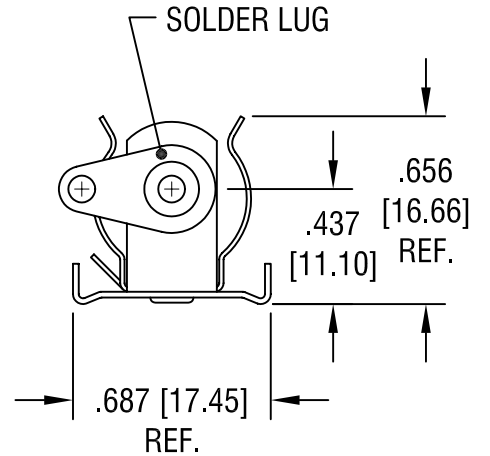
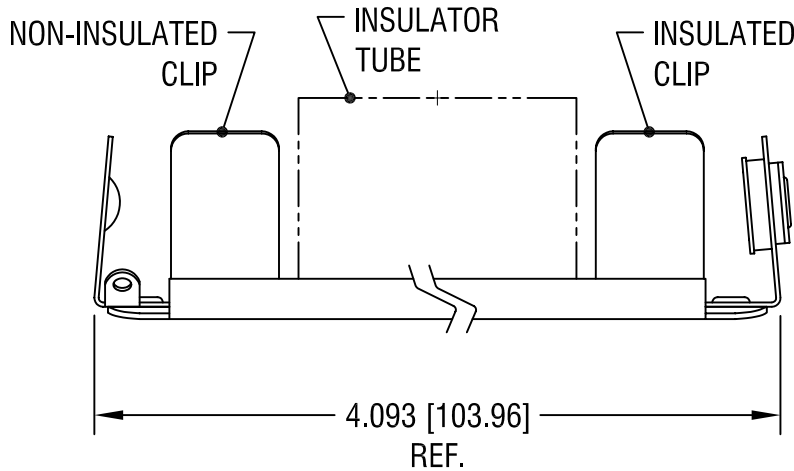
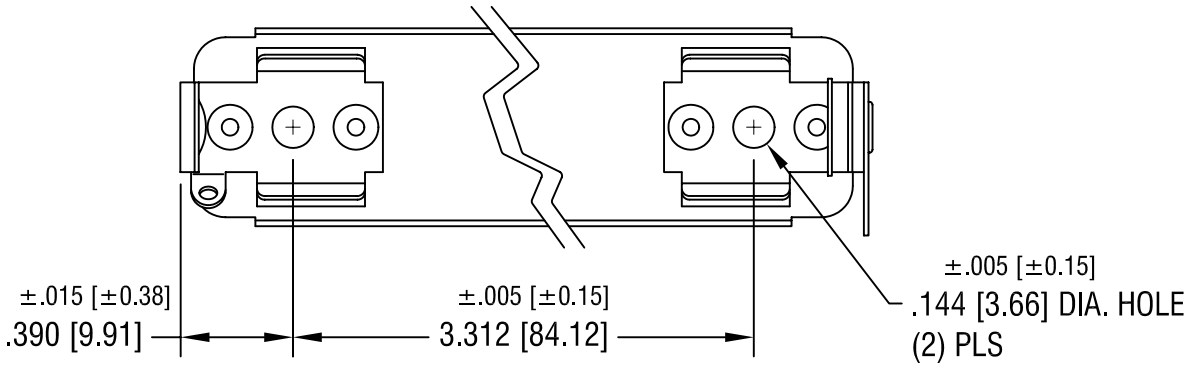


THIS DOCUMENT IS THE PROPERTY OF KEYSTONE ELECTRONICS CORP. AND SHALL NOT BE REPRODUCED, DISTRIBUTED OR USED AS A BASIS FOR MANUFACTURE WITHOUT PRIOR WRITTEN PERMISSION FROM KEYSTONE ELECTRONICS CORP.



NOTES:

- 1. BASE: MAT'L - STAINLESS STEEL
- CLIP: MAT'L - SPRING STEEL
- FINISH - NICKEL PLATE
- LUG: MAT'L - BRASS
- FINISH - TIN PLATE
- TUBE: MAT'L - WOUND PAPER, BLACK

6.12.00	CHANGE AS PER ECN 00-045	C
11.10.97	CHANGE AS PER ECR 97-058	B
8.10.83	REVISED	A
DATE	DESCRIPTION	REV.

<b>KEYSTONE ELECTRONICS CORP.</b>			
ASTORIA, N.Y. 11105-2017			
PART NAME			
NON-INSULATED BATTERY HOLDER, (2) 'AA'			
MATERIAL			
AS NOTED			
FINISH		DRN BY	DATE
AS NOTED		BOONE	8.5.82
		APPD	SCALE
			1.5X
TOLERANCES	INCH [MM]	CODE	DWG NO.
DECIMAL	$\pm .010 [\pm 0.25]$	C	<b>1189</b>
ANGULAR	$\pm 1^\circ$		
UNLESS OTHERWISE SPECIFIED			