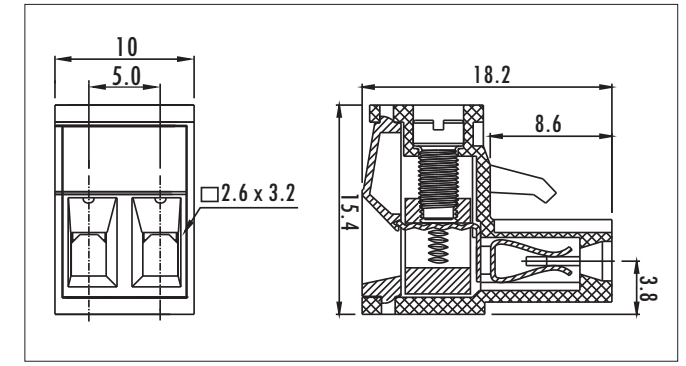
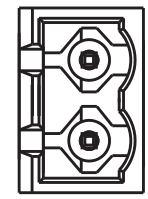
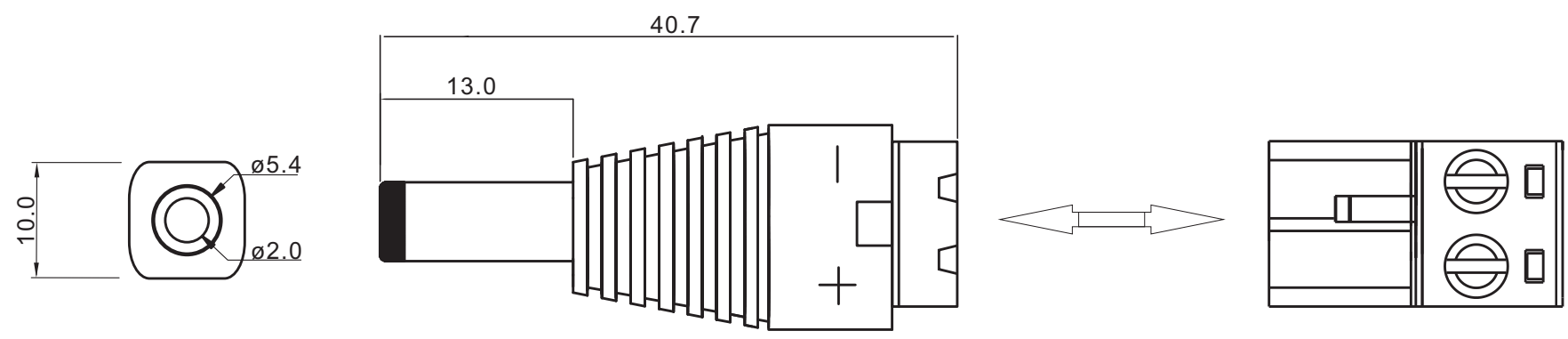


SIGN	DESCRIPTION	DATE	APPROVER
△	---		
△			



Technical Data:

Electrical:

- Voltage rating: 12VDC
- Current rating: 5A
- Contact resistance: 20mΩ
- Insulation resistance: 5000MΩ / 1000V
- Wire range: 28-12AWG

Mechanical:

- Torque: 0.4Nm (3.5Lb/In.)
- Operating temperature: -40°C to 105°C
- Strip length: 7mm

TOLERANCE	APPROVED: RIKKI	NAME:
X ±0.50	CHECKED: CAMILY	2.1mm Male Plug Adapter (pluggable Terminal)
X.X ±0.30	DRAWN: SHERMAN	
X.XX ±0.20	UNIT: mm	REV.: A
X° ±1°	SCALE: 4/1	PAGE: 1/1
		PART NO: DC12-M
		DWGNO.: