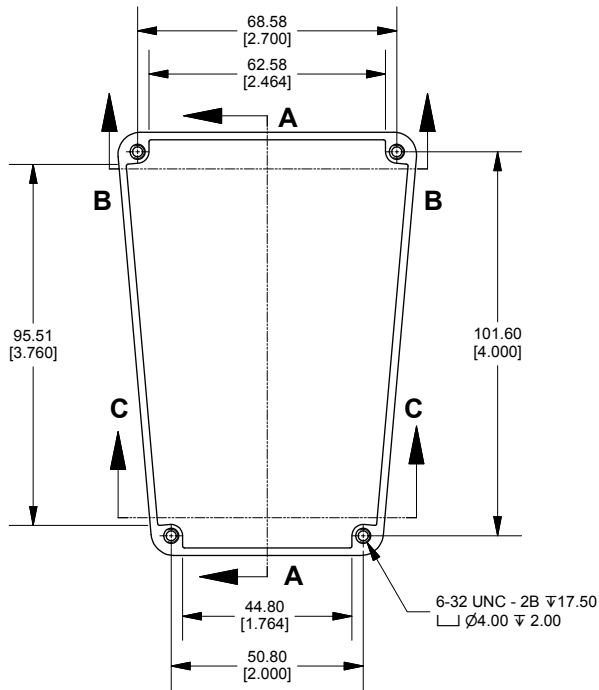
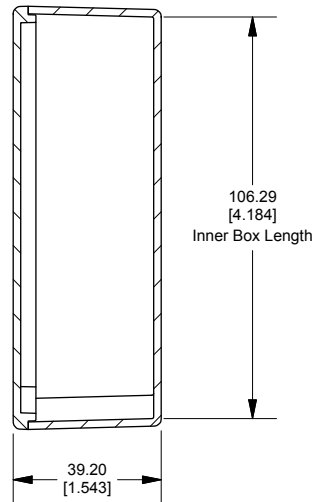


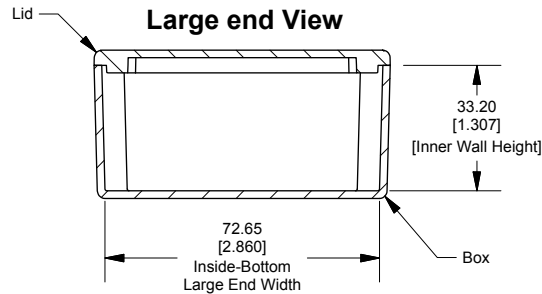
**Top View Looking inside Box**



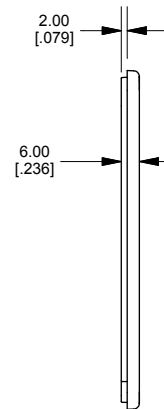
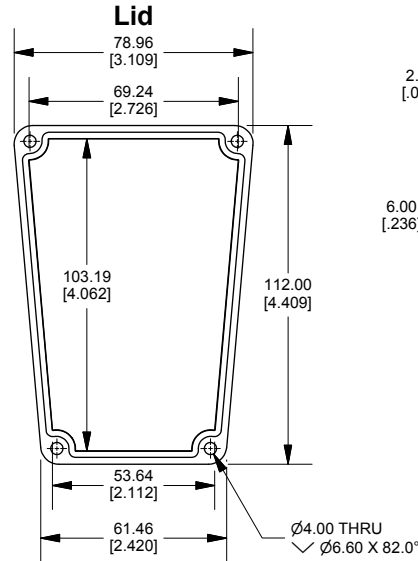
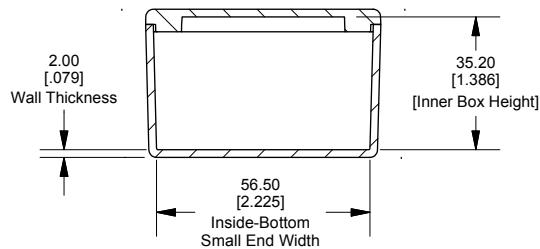
**SECTION A-A  
Side View of Assembly**



**SECTION B-B  
Large end View**



**SECTION C-C  
Small End View**



Enclosures can be Factory Modified ( Milling, Drilling, Printing etc.)  
Contact Factory [mjm@hammondmfg.com](mailto:mjm@hammondmfg.com) for quotes  
Solid models of this enclosure available in STEP or IGES.

NOTE	
Purchased assembly includes box, lid and 4 cover screws. Box and lid are made from Diecast Aluminum Alloy (alloy type ADC-12).	
PART NUMBERS	
1590TRPB Enclosure	
Unfinished	1590TRPB
Black Textured Powder Paint	1590TRPBK
Light Gray Textured Powder Paint	1590TRPLG
ACCESSORIES	
Recommended Torque: 75 ozf.in / 55 cN.m	
Unfinished Cover Screws (Pkg 100) [6-32 x 1/2" Nickel Plated Screws]	1590MS100
Black Textured Cover Screws (Pkg 50) [6-32 x 1/2" Black Screws]	1590MS50BK



**HAMMOND  
MANUFACTURING™**

**1590TRPB**

[www.hammondmfg.com](http://www.hammondmfg.com)