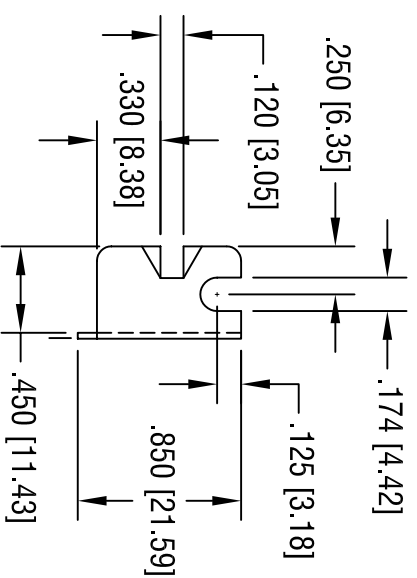
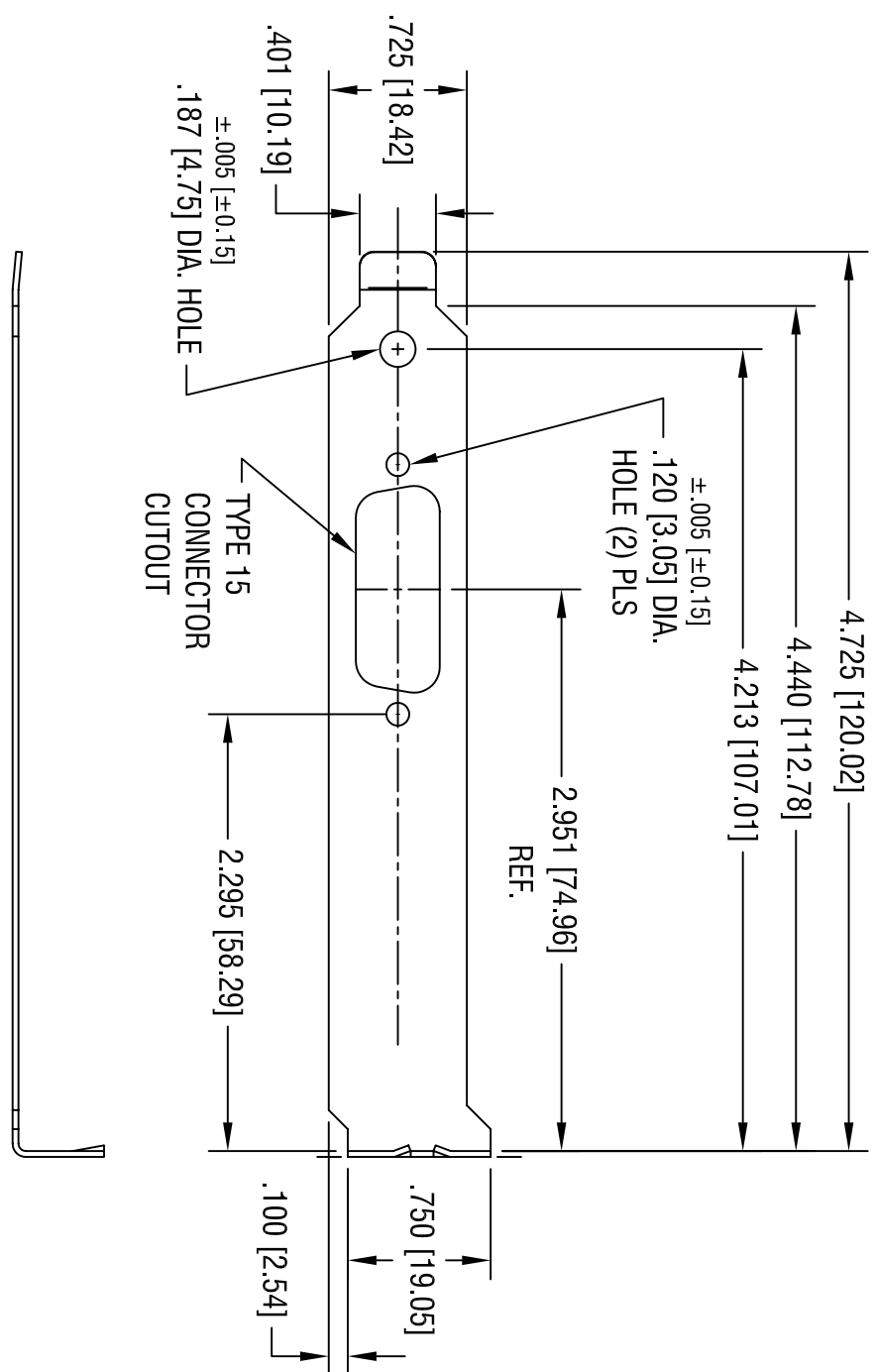


DATE	DESCRIPTION	REV.
9.24.98	CHANGE AS PER ECR 98-070	A



THIS DOCUMENT IS THE PROPERTY OF KEYSTONE ELECTRONICS CORP. AND SHALL NOT BE REPRODUCED, DISTRIBUTED OR USED AS A BASIS FOR MANUFACTURE WITHOUT PRIOR WRITTEN PERMISSION FROM KEYSTONE ELECTRONICS CORP.

KEYSTONE ELECTRONICS CORP.			
ASTORIA, N.Y. 11105-2017			
PART NAME		COMPUTER BRACKET	
MATERIAL		.032 [0.81] THK STEEL	
FINISH	NICKEL PLATE		
TOLERANCES	INCH	[MM]	CODE
DECIMAL	± .015	[± 0.38]	C
ANGULAR	± 1°		
DRAWN BY		DATE	DWG NO.
App'd BOONE		6.15.98	9200-3
		SCALE	1X