


ROCKER SWITCHES

PRODUCT NUMBER 1801.1908



TECHNICAL DATA

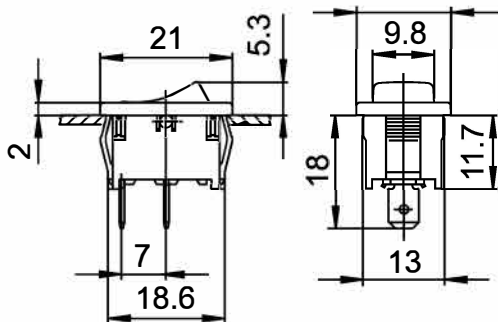
Product number	1801.1908						
Actuator color / printing							
Product family	Rocker switches						
Actuation type	direct						
Weight	3.000 g						
Switch on continuous current (capacitive)	5 A						
Inrush current (capacitive)	70 A						
ROHS conform	yes						
Switching function	ON / OFF switch (SPST)						
Material fixed contact	Ag						
Number of poles	1 - pole						
connections	Quick-connect terminal, 4.8 x 0.8						
Mechanical life endurance	10E4						
Rating IEC	12 (4) A 250 V AC 1E4 8 (8) A 250 V AC 5E4						
Rating North America	15 A 125 V AC 3/4 HP 15 A 250 V AC 1 1/2 HP						
Contact resistance (new condition)	< 100 (1 A 12 V DC) mOhm						
Insulation resistance (new condition)	> 100 (500 V DC) MOhm						
Voltage strength at 250 V	<table border="0"> <tr> <td>→ function insulation / basic insulation</td> <td>1 500 V</td> </tr> <tr> <td>→ reinforced insulation</td> <td>3 000 V</td> </tr> <tr> <td>→ small contact distance</td> <td>500 V</td> </tr> </table>	→ function insulation / basic insulation	1 500 V	→ reinforced insulation	3 000 V	→ small contact distance	500 V
→ function insulation / basic insulation	1 500 V						
→ reinforced insulation	3 000 V						
→ small contact distance	500 V						
Proof tracking	250 PTI						
Insulation spacing	acc. to EN 61058 for reinforced or double insulation						
Protection type	<table border="0"> <tr> <td>→ Connection</td> <td>IP 40</td> </tr> <tr> <td>→ Actuator</td> <td>IP 40</td> </tr> </table>	→ Connection	IP 40	→ Actuator	IP 40		
→ Connection	IP 40						
→ Actuator	IP 40						
Ambient temperature	-20 °C ... +100 °C						
Ambient temperature	-20 °C ... +55 °C						
Storage temperature	-40 °C ... +80 °C						
Flammability	UL 94 V-2						
Glow wire test temperature	850 °C						

Actuators and additional actuators	rocker: PA, black, identification white
Housing description	housing: PA, black
Connection surface	→ bearing connection silver plated → external connection silver plated
Contact material	Ag
Contact distance	≥ 3 mm
Rating Code UL	R 149
Contact type	lifting contact
Plug force of the terminals	≤ 80 N
Approval marks	CSA / UL / ENEC 05
Suitable for appliances of protection class	II
Type of fastening	Snap fastening
Degree of pollution	3
Stock version	●

PRODUCT IMAGE



DRAWINGS



X	Y	Z
0.75 ... 1.25	19.2 -0.1	12.9 +0.1
1.25 ... 2	19.4 -0.1	12.9 +0.1
2 ... 3	19.8 -0.1	12.9 +0.1

X = wall thickness

Technical changes reserved. Dimensions are not binding.
Detailed specifications available on request.