



## SPECIFICATIONS SHEET

**PRODUCT TYPE : EXTERNAL DRIVE PIEZO TRANSDUCER**

**PRODUCT SERIES : DB-E2388**

**DESCRIPTION : PZ TRANSDUCER 3V PIN PBT RoHS**

**COLOR : BLACK**

### ELECTRICAL SPECIFICATIONS

<b>MODEL NO.</b>	<b>238PZ17400LFPH</b>
<b>SOUND PRESSURE LEVEL</b>	80.0 dBA Min. ( 3.0 Vrms , Sine Wave , 10.0 cm , 4000 Hz )
<b>CAPACITANCE</b>	15000 pF ± 30 % at 120 Hz
* <b>MAX. INPUT VOLTAGE</b>	30.0 Vp-p
<b>OPERATING TEMPERATURE</b>	- 20.0 ~ + 70.0 °C
<b>STORAGE TEMPERATURE</b>	- 30.0 ~ + 80.0 °C
<b>TERMINAL</b>	PIN
<b>HOUSING MATERIAL</b>	PBT
* <b>WEIGHT</b>	1.2 g

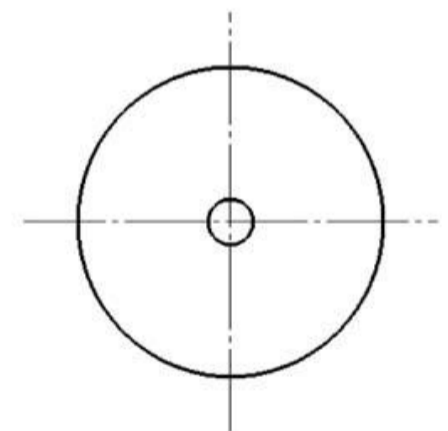
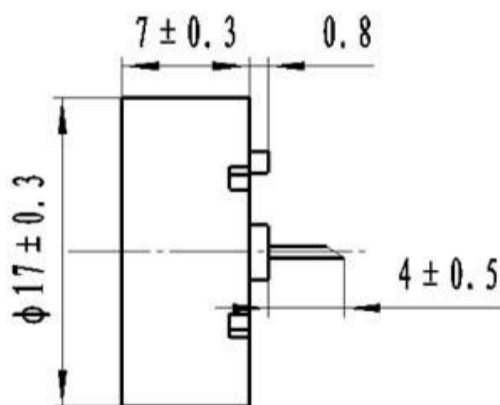
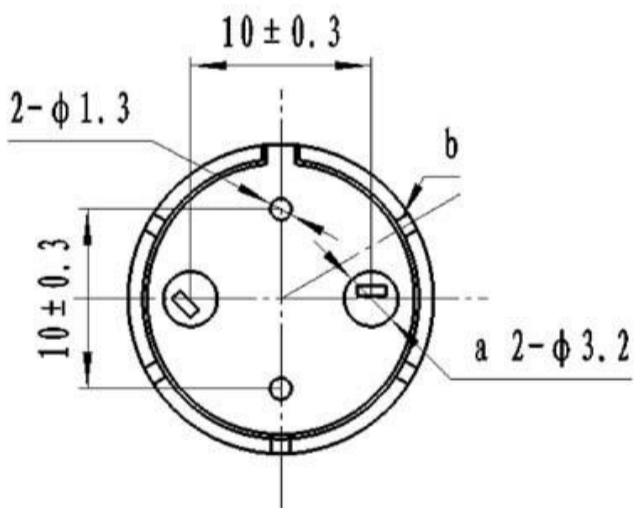
### DIMENSIONS

UNIT : mm

**BOTTOM VIEW**

**SIDE VIEW**

**TOP VIEW**



Approved By :   
Date : 10-Jan.-2013

Prepared By :   
Date : 10-Jan.-2013

Modify :	Date :	By :