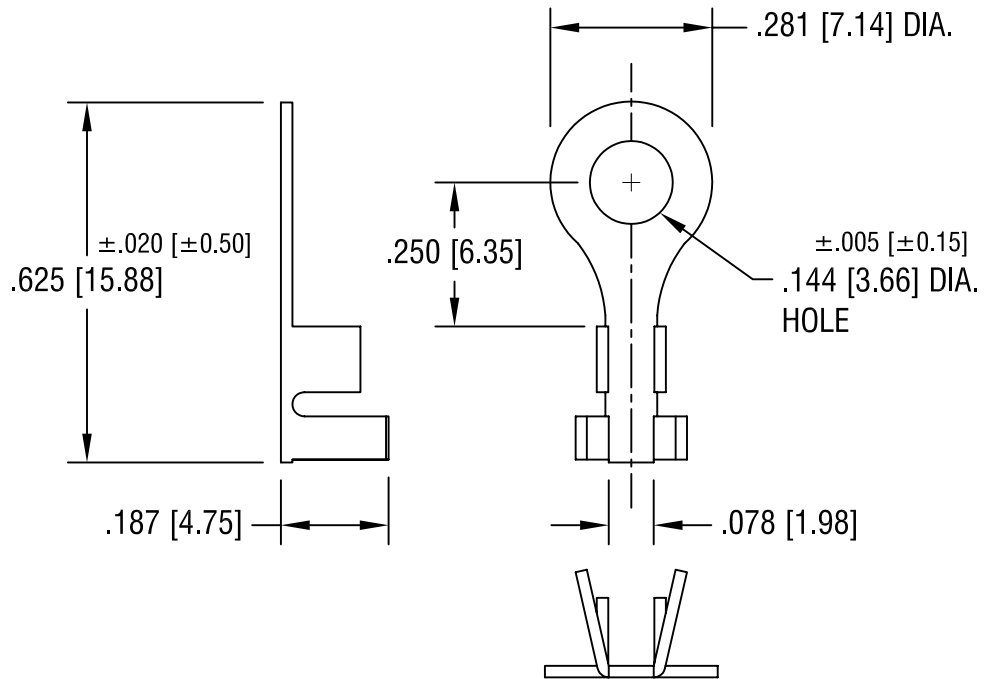


THIS DOCUMENT IS THE PROPERTY OF  
KEYSTONE ELECTRONICS CORP. AND  
SHALL NOT BE REPRODUCED, DISTRIBUTED  
OR USED AS A BASIS FOR MANUFACTURE  
WITHOUT PRIOR WRITTEN PERMISSION  
FROM KEYSTONE ELECTRONICS CORP.



**KEYSTONE ELECTRONICS CORP.**

ASTORIA, N.Y. 11105-2017

PART NAME

CRIMP TERMINAL LUG

MATERIAL

.020 [0.50] TH'K BRASS

FINISH

TIN PLATE

DRN BY

BOONE

DATE

1.10.05

APP'D

LN

SCALE

3X

8.10.07

CHANGE AS PER ECN 07-046

B

TOLERANCES

INCH [MM]

DECIMAL  $\pm .010$  [ $\pm 0.25$ ]

ANGULAR  $\pm 1^\circ$   
UNLESS OTHERWISE SPECIFIED

CODE

C/M

DWG NO.

1275

DATE

DESCRIPTION

REV.