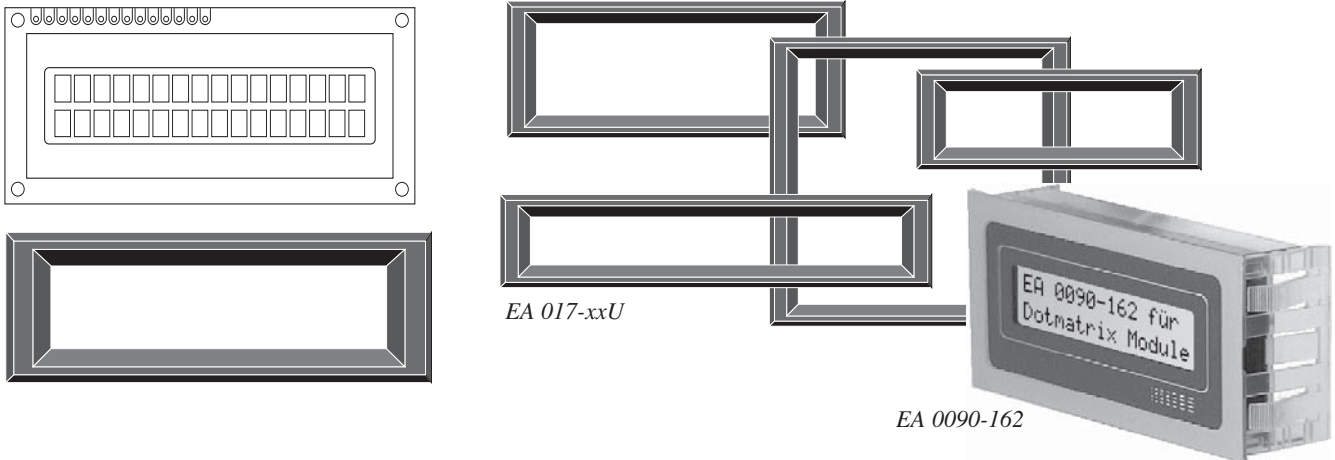


BEZEL FOR DOTMATRIX MODULES



BEZELS EA 017-XXU SERIES

These bezels give your equipment a professional design without extra tooling. The bezels are made of black ABS-material (UL listed) with a scratch-resistant and structured surface. They include a snap-in appliance for easy mounting of different 1 mm windows. They are available with glass or acrylicglass window, both clear or antiglare version. The bezels are glued into the frontpanel of your equipment.

| bezel version | ordering information |
|------------------------|----------------------|
| without window | EA 017-xxU |
| clear acrylicglass | EA 017-xxUK |
| antiglare acrylicglass | EA 017-xxUKE |
| clear glass | EA 017-xxUG |
| antiglare glass | EA 017-xxUGE |

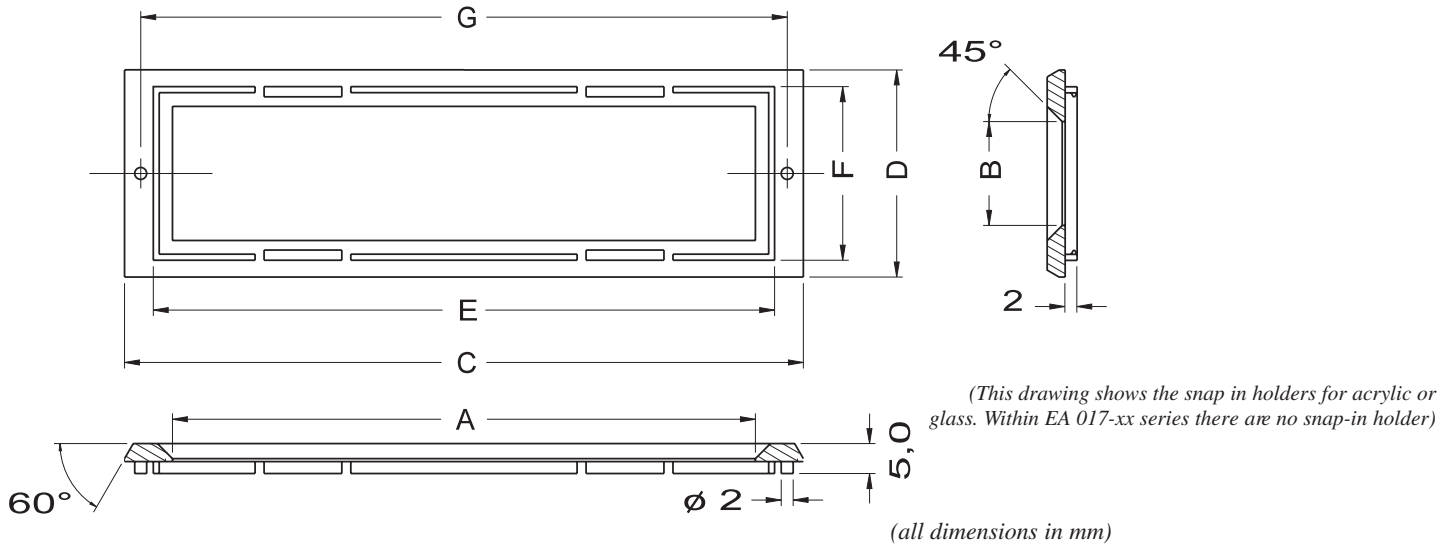
BEZELS EA 017-XX SERIES

These bezels are similar in design (not UL listed), the surface is mat black coated. Acrylicglass windows are available clear or antiglare.

| bezel version | ordering information |
|------------------------|----------------------|
| without window | EA 017-xx |
| clear acrylicglass | EA 017-xxK |
| antiglare acrylicglass | EA 017-xxKE |

**ELECTRONIC
ASSEMBLY**
making things easy

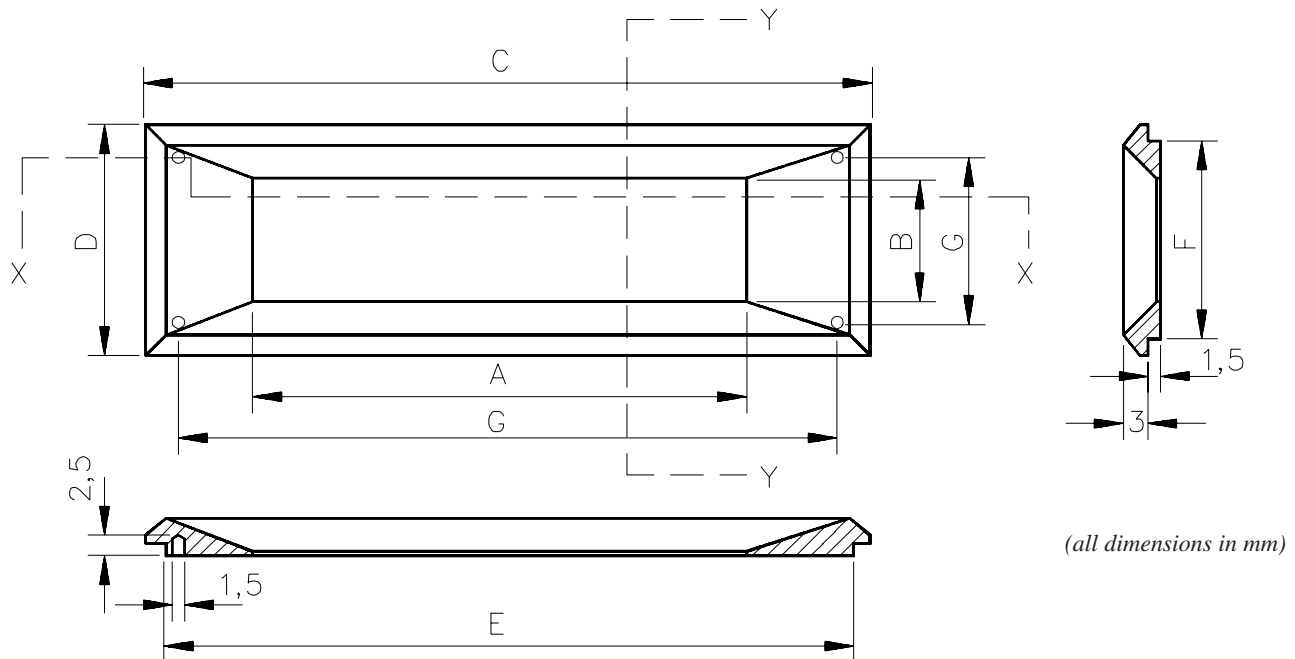
BEZELS FOR DOTMATRIX MODULES EA 017-xxU AND EA 017-xx SERIES



| Ordering information | viewing area | | bezel size | | cutout | | studs G | matching lcd-module dotmatrix / graphic |
|----------------------|--------------|------|------------|------|--------|------|------------|--|
| | A | B | C | D | E | F | | |
| EA 017-1U | 63,5 | 12,8 | 79,5 | 25,0 | 69,7 | 19,2 | 74,5 | EA 7161-A 1x16 |
| EA 017-2U | 60,0 | 14,8 | 76,0 | 27,0 | 66,2 | 21,2 | 71,0 | EA 7162 2x16 |
| EA 017-3 | 131,5 | 13,0 | 147,5 | 25,2 | 137,7 | 19,4 | 142,5 | (EA 7321) 1x32 |
| EA 017-4U | 153,0 | 14,8 | 169,0 | 27,0 | 159,2 | 21,2 | 164,0 | EA 7402 2x40 |
| EA 017-5 | 140,0 | 15,8 | 156,0 | 28,0 | 146,2 | 22,2 | 151,0 | EA 7322-B 2x32 |
| EA 017-6U | 98,5 | 12,8 | 114,5 | 25,0 | 104,7 | 19,2 | 109,5 | EA 7161-E 1x16 |
| EA 017-7U | 81,5 | 17,2 | 97,5 | 29,4 | 87,7 | 23,6 | 92,5 | EA 7202 2x20 |
| EA 017-8U | 60,8 | 24,2 | 76,8 | 36,4 | 67,0 | 30,6 | 71,8 | EA 7164 4x16 |
| EA 017-9U | 75,0 | 24,2 | 91,0 | 36,4 | 81,2 | 30,6 | 86,0 | EA 7204 4x20 |
| EA 017-10U | 131,0 | 38,0 | 147,0 | 50,2 | 137,2 | 44,4 | 142,0 | EA 7240-6 240x64 |
| EA 017-12U | 97,4 | 22,4 | 113,4 | 34,6 | 103,6 | 28,8 | 108,4 | EA 7162-B 2x16 |
| EA 017-13U | 145,0 | 28,0 | 161,0 | 40,2 | 151,2 | 34,4 | 156,0 | EA 7404 4x40 |
| EA 017-14U | 92,0 | 14,8 | 108,0 | 27,0 | 98,4 | 21,2 | 103,0 | EA 7242 2x24 |
| EA 017-15U | 68,0 | 68,0 | 84,0 | 80,2 | 74,2 | 74,4 | 79,0 | EA VK-2128 128x128 |
| EA 017-16U | 75,0 | 39,0 | 91,0 | 51,2 | 81,2 | 45,4 | 86,0 | EA VK-2080 160x80 |
| EA 017-17U | 58,0 | 32,5 | 74,0 | 44,7 | 64,2 | 38,9 | 69,0 | EA VK-2064 128x64 |
| EA 017-18U | 99,5 | 80,5 | 115,5 | 92,7 | 105,7 | 86,9 | 110,5 | EA VK-5160 160x128 |
| EA 017-23 | 121,0 | 12,0 | 137,0 | 24,2 | 127,2 | 18,4 | 132,0 | EA 8201-B 1x20 |
| EA 017-25U | 121,0 | 41,5 | 137,0 | 53,7 | 127,2 | 47,9 | 132,0 | EA 8204-B 4x20 |
| EA 017-27 | 145,0 | 33,8 | 161,0 | 46,0 | 151,2 | 40,2 | 156,0 | EA 8202-C 2x20 |
| EA 017-28 | 145,0 | 63,9 | 161,0 | 76,1 | 151,2 | 70,3 | 156,0 | EA 8204-C 4x20 |

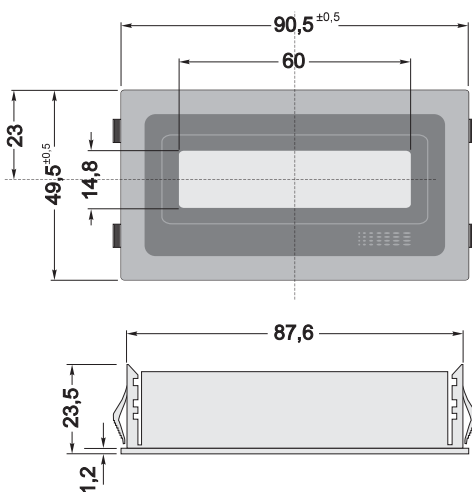
The panel cutout should be 0.2 to 0.5 mm larger than dimension EF. The bezel is centered to the cutout by 2 studs with 2mm diameter.

BEZELS FOR DOTMATRIX MODULES EA 07 SERIES



| Ordering information | viewing area | | bezel size | | cutout | | mounting G | matching module |
|----------------------|--------------|------|------------|------|--------|------|------------|-----------------|
| | A | B | C | D | E | F | | |
| EA 07-B | 97,0 | 12,0 | 122,0 | 25,0 | 118,0 | 21,0 | 114 x 17 | EA 7161-E/-F |
| EA 07-C | 60,0 | 15,0 | 88,0 | 28,0 | 84,0 | 24,0 | 80 x 20 | EA 7162 a.o. |
| EA 07-D | 82,0 | 17,0 | 107,0 | 30,0 | 103,0 | 26,0 | 99 x 20 | EA 7202 a.o. |
| EA 07-E | 151,0 | 15,0 | 176,0 | 28,0 | 174,0 | 24,0 | 169 x 20 | EA 7402 a.o. |

The bezels from the EA 07 series are always delivered without acrylicglass window.



All dimensions in mm; Panel Cutout 88^{±0,2} x 47^{±0,2} mm

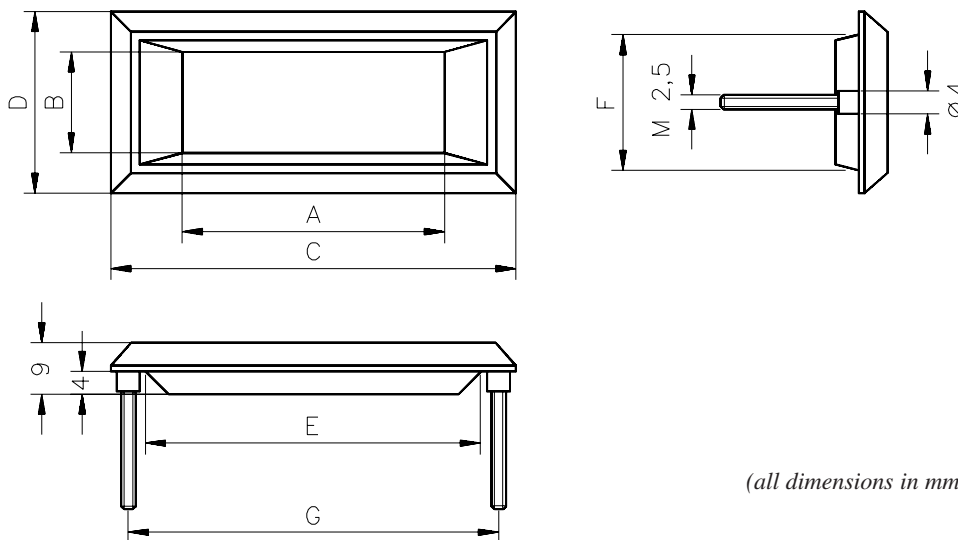
Snap-In Case EA 0090-162:

The following LCD dotmatrix-modules with outer dimension 84x44mm fitting that case:

- 1x8 Char: EA VK-2018(LED), EA VK-2118, LM 054...
- 2x16 Char: EA VK-2004N(LED), EA VK-2010, EA VK-2038, EA P162-NLED, EA 7162-NEL, EA 7162-NLED, EA 8162-NLED, LM 16255, LM 016, HC 16201, HDM-16216H-B, DV-16244, EA-D16025, LM 66X2C16CX, LTN 211, BT 21605, DMC-16207, DMC-16202, PC 1602LRU...
- Graphic, EA 0090-122: EA P122-5NLED (122x32 dots), BT 80016 (80x16 dots)...

BEZELS FOR FRONTPANEL DESIGN AND MOUNTING

STANDARD BEZELS WITH SCREWPINS M2,5 FOR LCD-MODULES FROM SERIES EA 11xx, EA 21xx, EA 31xx, 41xx AND EA 61xx



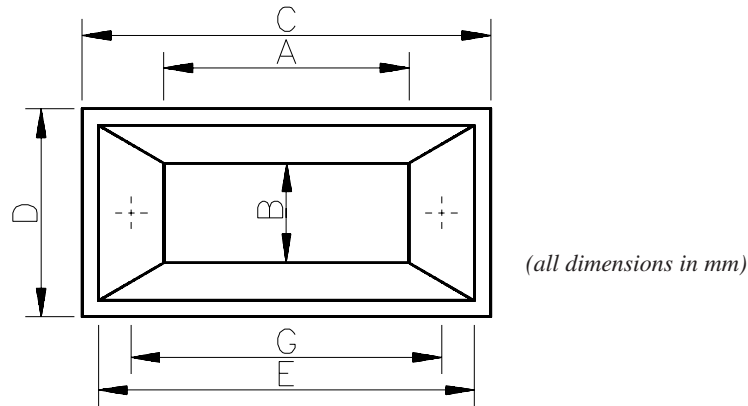
(all dimensions in mm)

| Ordering information | viewing area | | bezel size | | cutout | | mounting | matching module |
|----------------------|--------------|------|------------|------|--------|------|------------|-----------------|
| | A | B | C | D | E | F | G | |
| EA 02-N | 45,6 | 10,8 | 70,4 | 24,8 | 58,5 | 16,8 | 63,2/ M2,5 | 9mm 4digit |
| EA 03 | 45,6 | 17,7 | 70,0 | 32,0 | 54,5 | 22,0 | 61 / M2,5 | 13mm 4digit |
| EA 08-N | 62,2 | 22,6 | 87,0 | 36,6 | 72,7 | 28,2 | 80,3/ M2,5 | 18mm 4digit |
| EA 09 | 86,2 | 17,7 | 113,0 | 32,0 | 96,0 | 22,0 | 104 / M2,5 | 13mm 8digit |
| EA 050-N | 160,0 | 56,0 | 189,0 | 73,0 | 173,2 | 62,3 | 180,3 x 61 | 50mm 4digit |

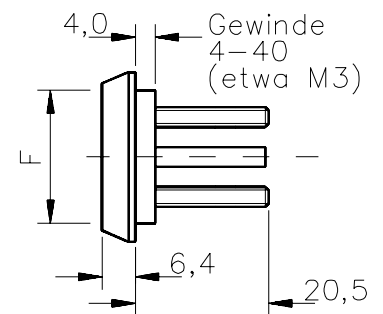
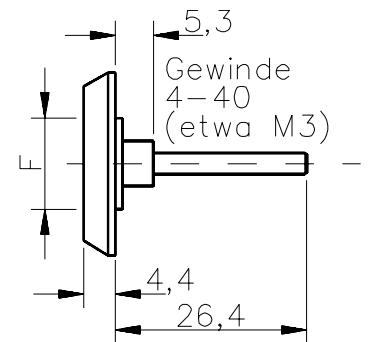
The bezels have two (EA 050-N: four) screwpins M2,5 for mounting the LCD-module on the frontpanel. The delivery includes the matching nuts.

At 5 pcs off we can deliver these bezels (excl. EA 050-N) with pasted acrylicglass (thickness 1mm).

FRONTPANEL AND MOUNTING BEZELS FOR LCD-MODULES WITH 12, 25, 33mm DIGIT HEIGHT



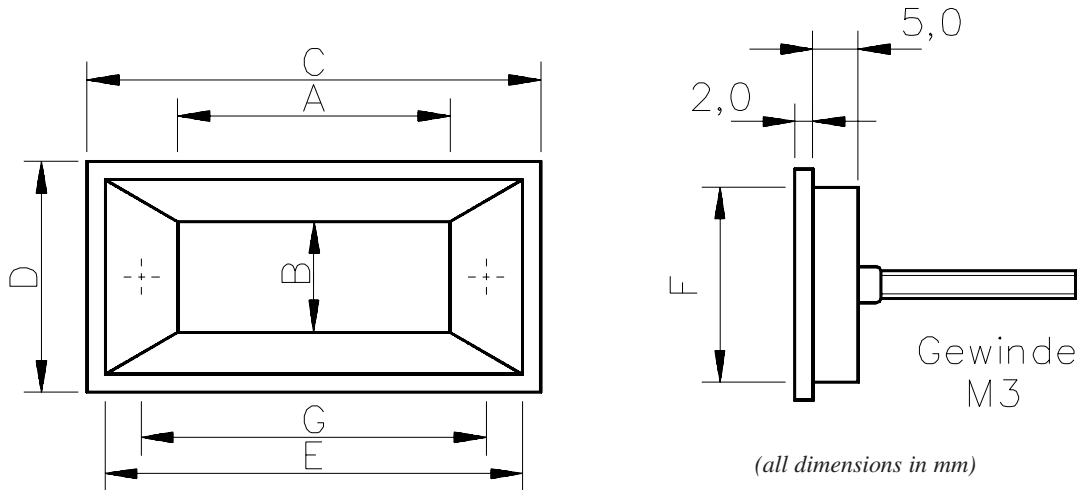
| Ordering information | viewing area | | bezel size | | cutout | | mounting G |
|----------------------|--------------|------|------------|------|--------|------|------------|
| | A | B | C | D | E | F | |
| EA 02-2 | 29,5 | 12,2 | 43,2 | 25,4 | 39,5 | 12,7 | 35,5 |
| EA 02-3 | 42,7 | 12,2 | 55,9 | 25,4 | 52,8 | 12,7 | 48,2 |
| EA 02-4 | 55,4 | 12,2 | 68,6 | 25,4 | 65,9 | 12,7 | 60,9 |
| EA 02-5 | 68,1 | 12,2 | 81,3 | 25,4 | 78,6 | 12,7 | 73,6 |
| EA 02-6 | 80,8 | 12,2 | 94,0 | 25,4 | 91,3 | 12,7 | 86,3 |
| EA 02-7 | 93,5 | 12,2 | 106,7 | 25,4 | 104,0 | 12,7 | 99 |
| EA 02-8 | 106,2 | 12,2 | 119,8 | 25,4 | 116,7 | 12,7 | 111,7 |
| EA 08-2 | 30,0 | 24,9 | 43,2 | 38,1 | 40,5 | 25,4 | 35,5 |
| EA 08-3 | 42,7 | 24,9 | 55,9 | 38,1 | 53,2 | 25,4 | 48,2 |
| EA 08-4 | 55,4 | 24,9 | 68,6 | 38,1 | 65,9 | 25,4 | 60,9 |
| EA 08-5 | 68,0 | 24,9 | 81,3 | 38,1 | 78,6 | 25,4 | 73,6 |
| EA 08-6 | 80,8 | 24,9 | 94,0 | 38,1 | 91,3 | 25,4 | 86,3 |
| EA 08-8 | 106,2 | 24,9 | 119,4 | 38,1 | 116,7 | 25,4 | 111,7 |



This bezels are always shipped without acrylicglass window.

At 5 pieces off we can deliver these bezels with clear or red acrylicglass window; the ordering information is now e.g: **EA 02-2K** (clear acrylicglass) or **EA 02-2R** (red acrylicglass).

FRONTPANEL AND MOUNTING BEZELS FOR LED-MODULES WITH 12, 19, 25mm DIGIT HEIGHT

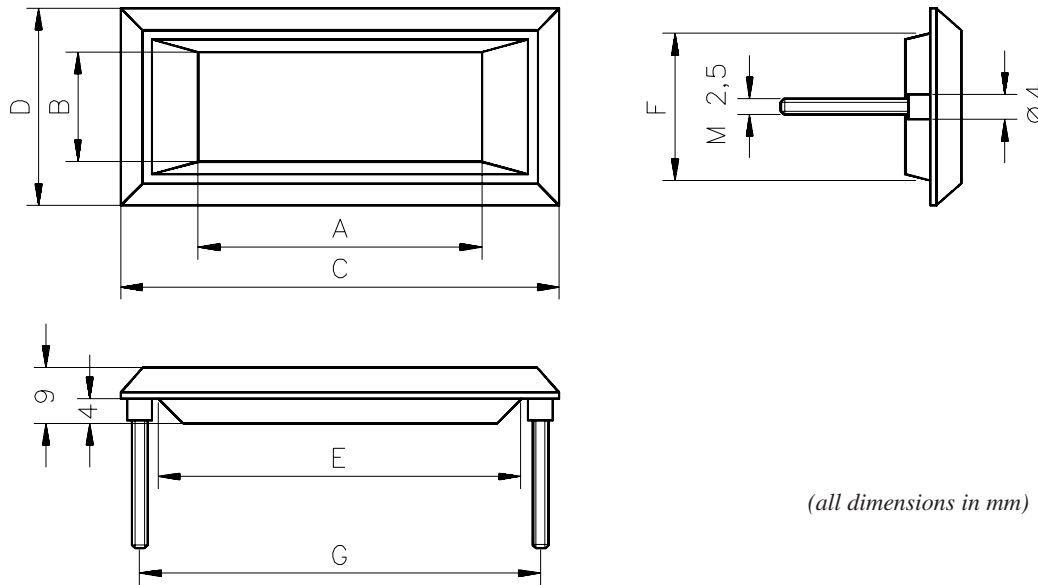


(all dimensions in mm)

| Ordering information | viewing area | | bezel size | | cutout | | mounting G | matching module |
|----------------------|--------------|------|------------|------|--------|------|------------|-----------------|
| | A | B | C | D | E | F | | |
| EA 074-R | 42,7 | 12,2 | 63,0 | 25,5 | 59,0 | 21,5 | 48,5/ M3 | 4 Digit (LED) |
| EA 079-R | 106,0 | 12,2 | 125,5 | 25,5 | 121,5 | 21,5 | 114,5/ M3 | 9 Digit (LED) |
| EA 083-R | 43,0 | 25,0 | 62,5 | 38,0 | 58,5 | 34,0 | 50 / M3 | 3 Digit (LED) |
| EA 087-K/-R | 93,0 | 25,0 | 114,0 | 38,0 | 110,0 | 34,0 | 101 | 8 Digit (LED) |
| EA 093-R | 38,0 | 19,5 | 59,0 | 32,0 | 55,0 | 28,0 | 45 / M3 | 3 Digit (LED) |
| EA 094-R | 50,0 | 19,5 | 70,5 | 32,0 | 66,5 | 28,0 | 58 / M3 | 4 Digit (LED) |
| EA 096-R | 77,0 | 19,5 | 97,0 | 32,0 | 93,0 | 28,0 | 84 / M3 | 6 Digit (LED) |

These bezels are usually delivered with a red acrylicglass window. Alternatively you can order a clear acrylicglass window. The ordering information is now e.g: **EA 096-K** insted of **EA 096-R**.

FRONTPANEL AND MOUNTING BEZELS FOR SPECIAL MODULES



(all dimensions in mm)

| Ordering information | viewing area | | bezel size | | cutout | | mounting | matching module |
|----------------------|--------------|------|------------|------|--------|------|-----------|-----------------------|
| EA 0SC-2 | 41,0 | 13,4 | 69,9 | 39,4 | 47,8 | 26,2 | 55,5x26,2 | EA 2042/43/44,EA 6044 |
| EA 022 | 51,0 | 18,0 | 72,0 | 36,0 | 68,0 | 33,0 | snap-in | EA 4022 |
| EA 033-K | 45,7 | 18,2 | 72,0 | 36,0 | 68,0 | 33,0 | 62 x 27 | EA 4060-DP |
| EA 033-R | 45,7 | 18,2 | 72,0 | 36,0 | 68,0 | 33,0 | 62 x 27 | EA 4040-DP |
| EA 044 | 32,5 | 13,0 | 48,0 | 24,0 | 45,0 | 22,5 | snap-in | EA 4044 |
| EA 055 | 42,5 | 17,5 | 60,0 | 30,0 | 57,0 | 27,0 | snap-in | EA 4055/-S |
| EA 055-31 | 42,5 | 17,5 | 60,0 | 30,0 | 57,0 | 27,0 | snap-in | EA 1031-N,EA 4050 |

The snap-in bezel is delivered in two parts: the bezel and the window. The bezel is pressed from the frontside into the frontpanel and the corresponding module is snapped in from the rearside of the frontpanel. Finally the window is pasted up to the bezel.

