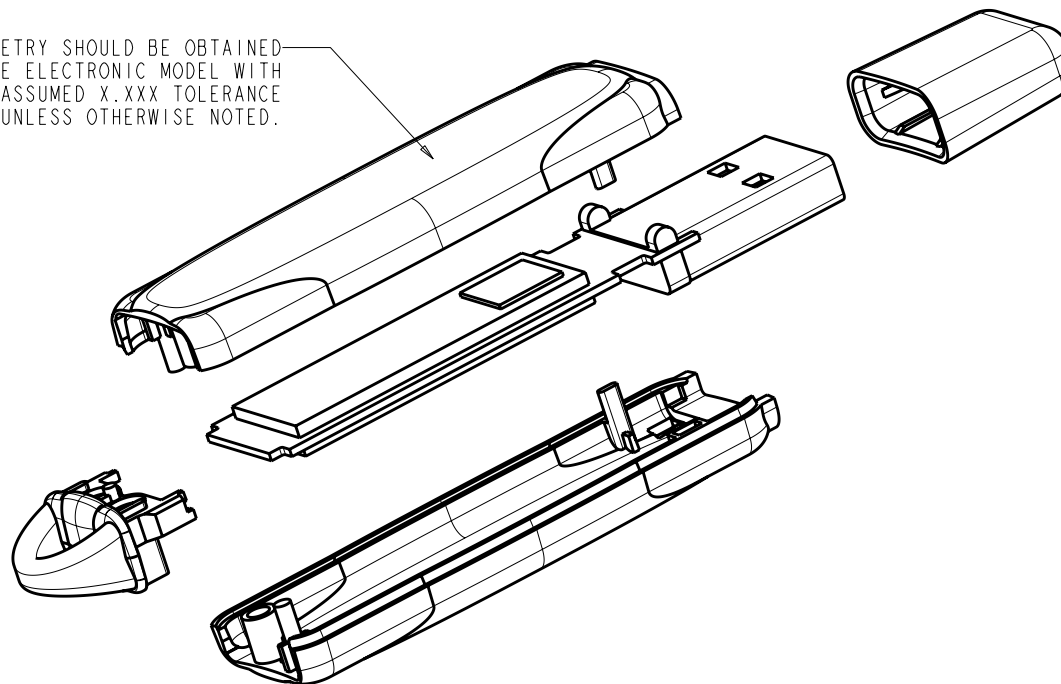
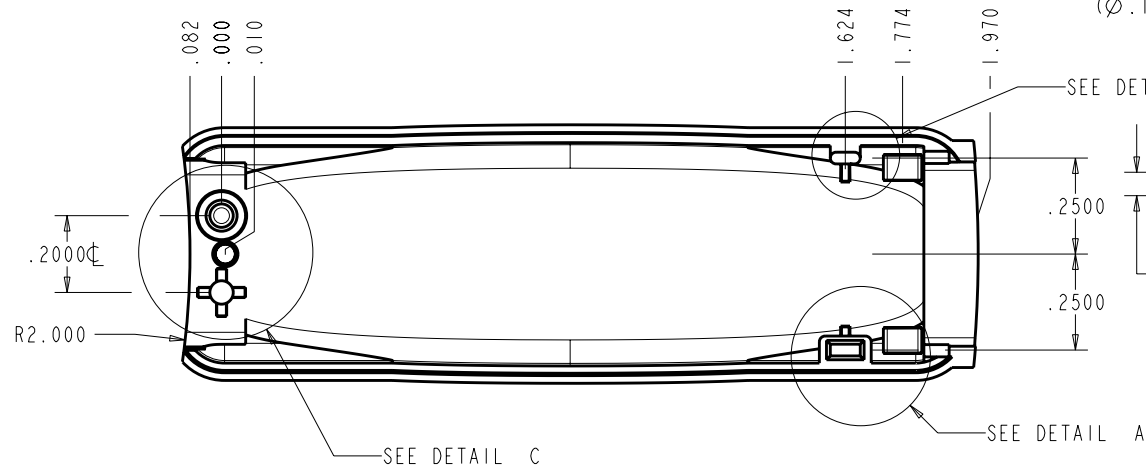
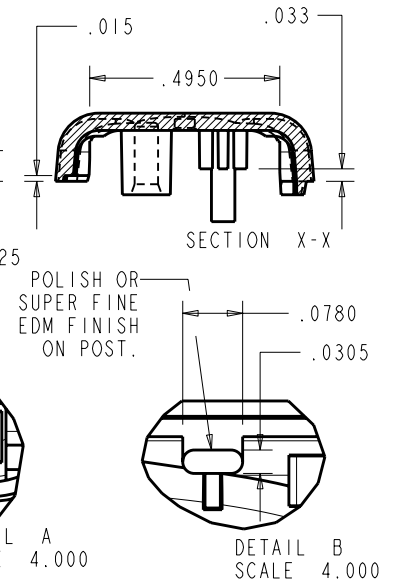
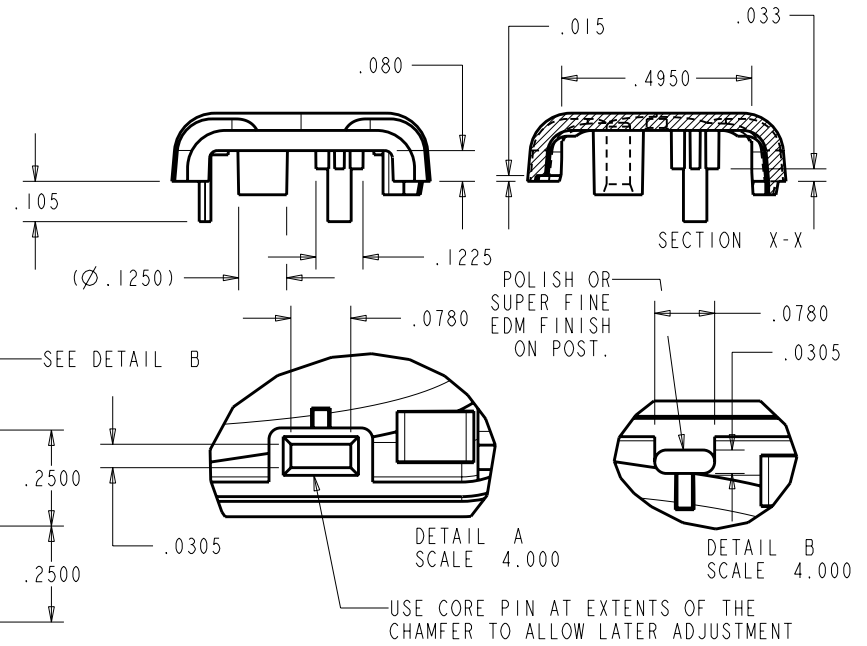
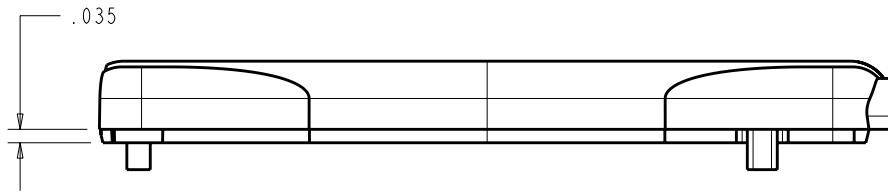
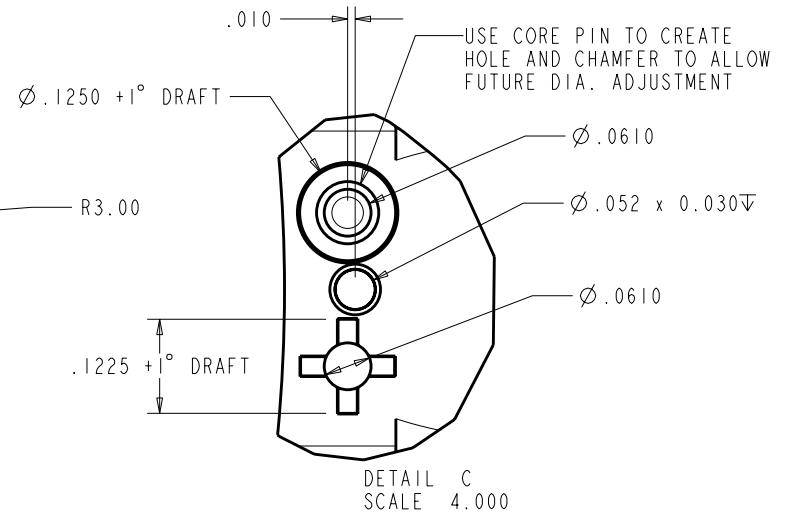
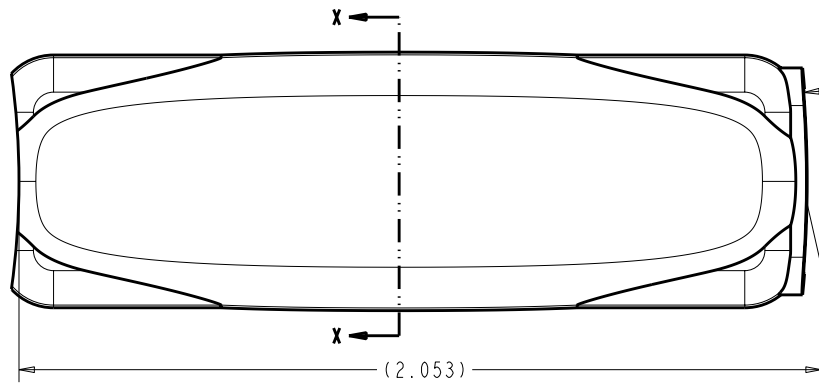


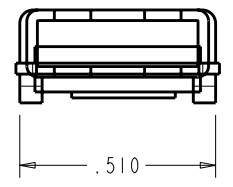
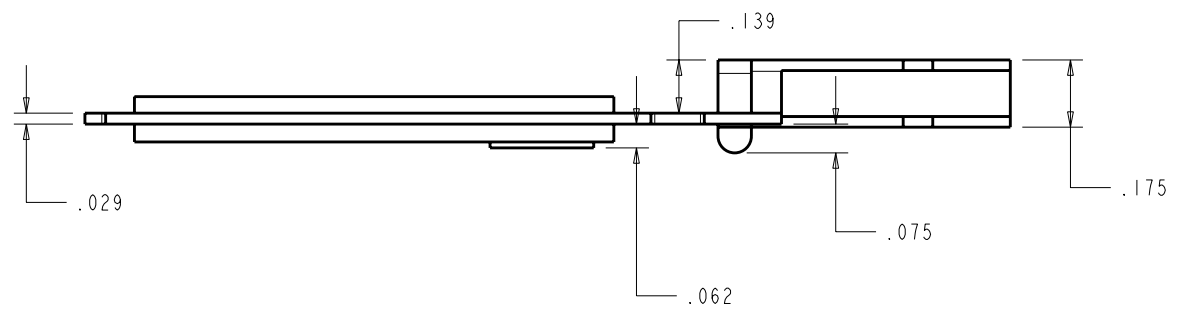
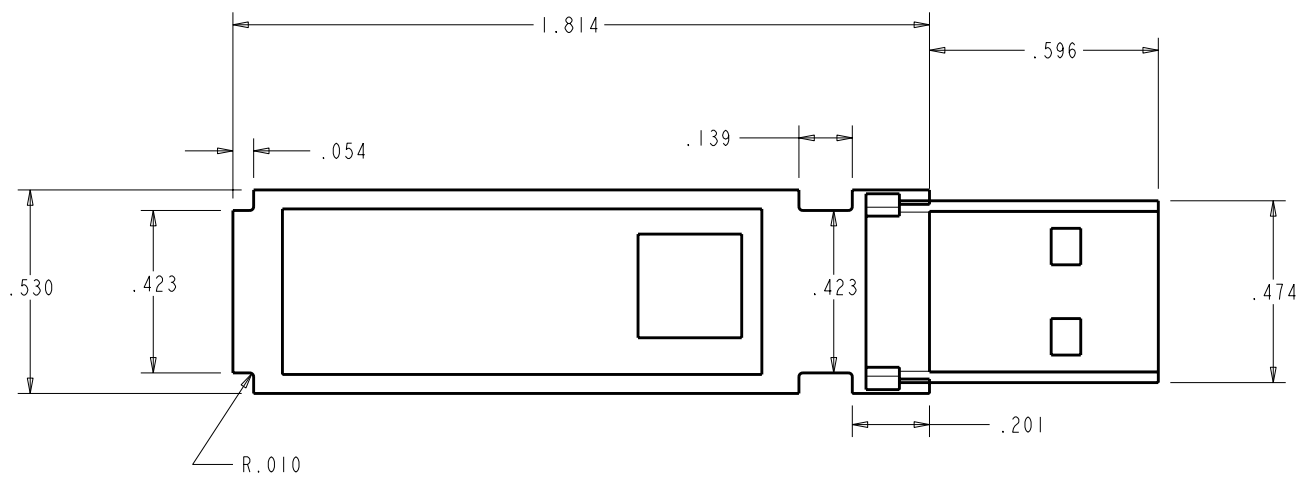
GEOMETRY SHOULD BE OBTAINED FROM THE ELECTRONIC MODEL WITH AN ASSUMED X.XXX TOLERANCE UNLESS OTHERWISE NOTED.



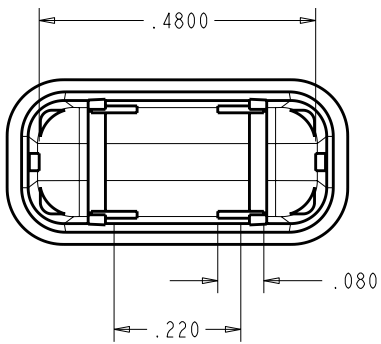
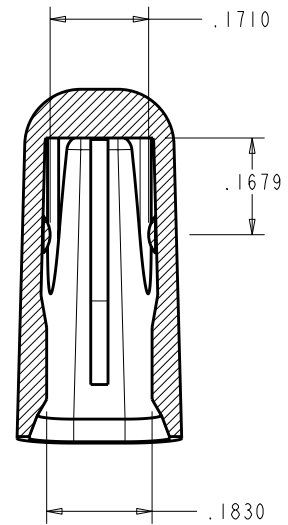
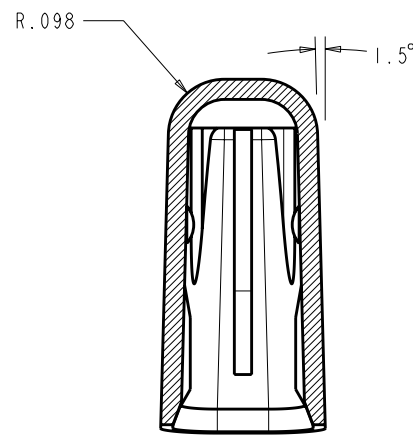
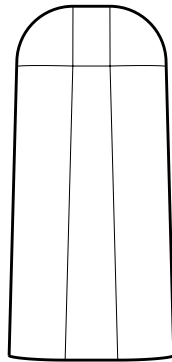
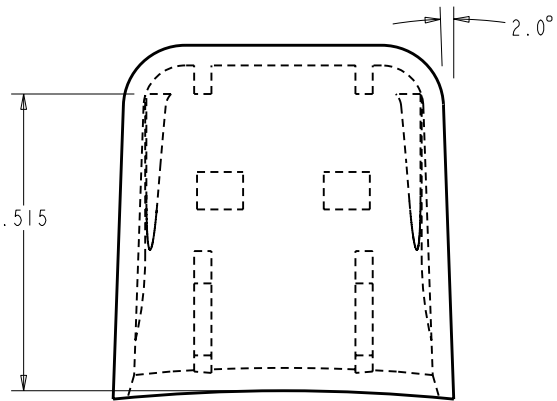
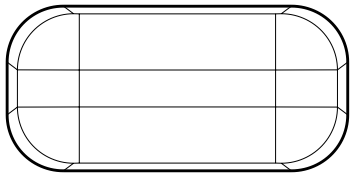
DIMENSIONS [inch]



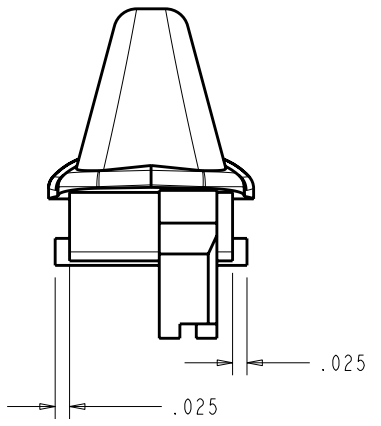
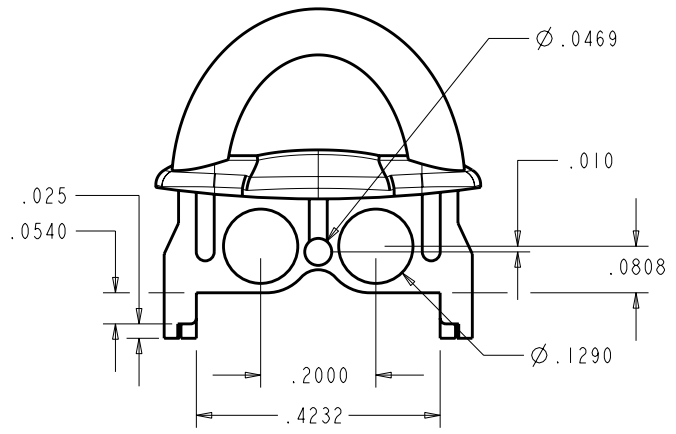
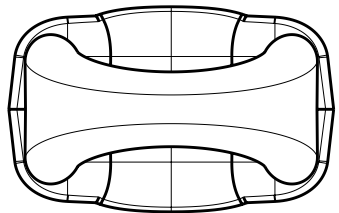
DIMENSIONS [inch]



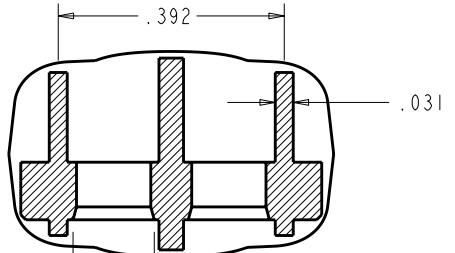
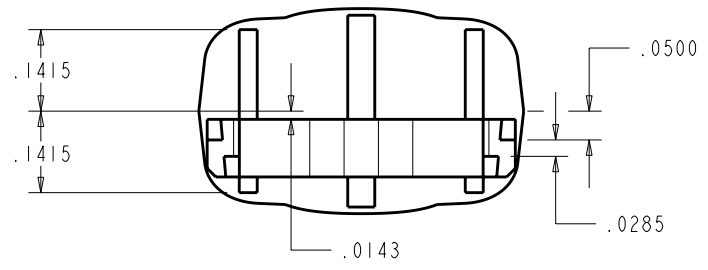
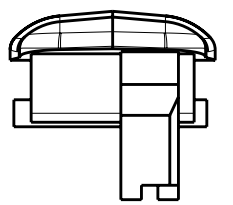
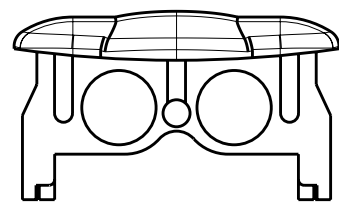
DIMENSIONS [inch]



DIMENSIONS [inch]



CRITICAL DIMENSIONS:
SAME AS END W/ RING



USE Ø.1410 CORE PIN SECTION A-A

DIMENSIONS [inch]