

PRODUCT DATASHEET

is brought to you by



[SOS electronic](https://www.soselectronic.com/)

distribution of electronic components

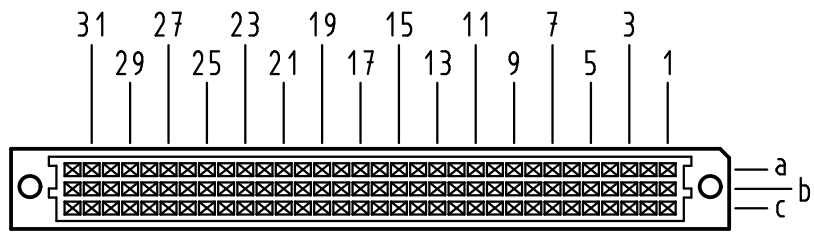
Click to view availability, pricing and lifecycle information.

Visit <https://www.soselectronic.com/>

Datasheet begins on next page.

Alle Rechte vorbehalten/ All rights reserved

X
Kontaktanordnung
contact arrangement

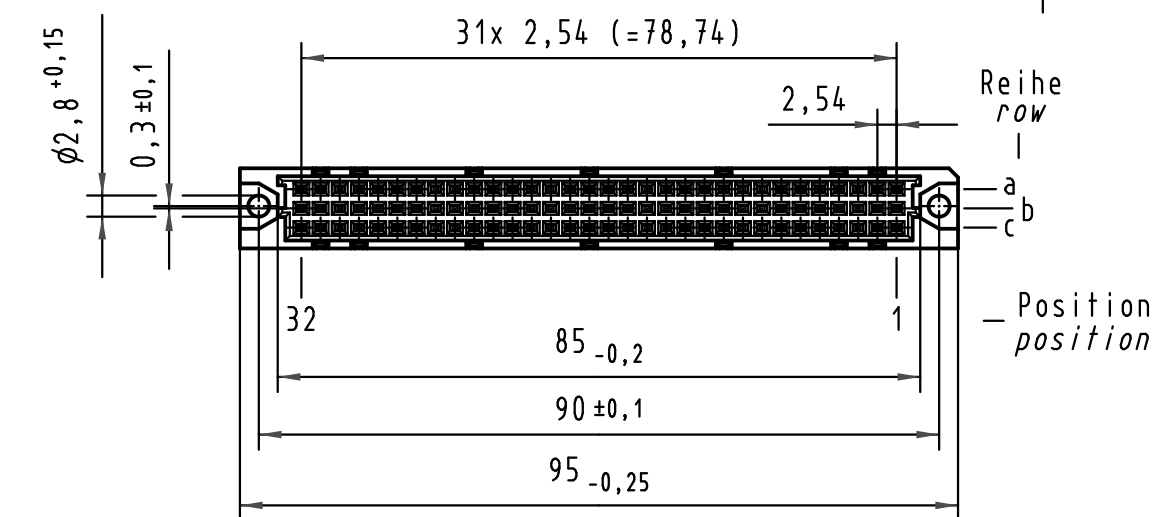
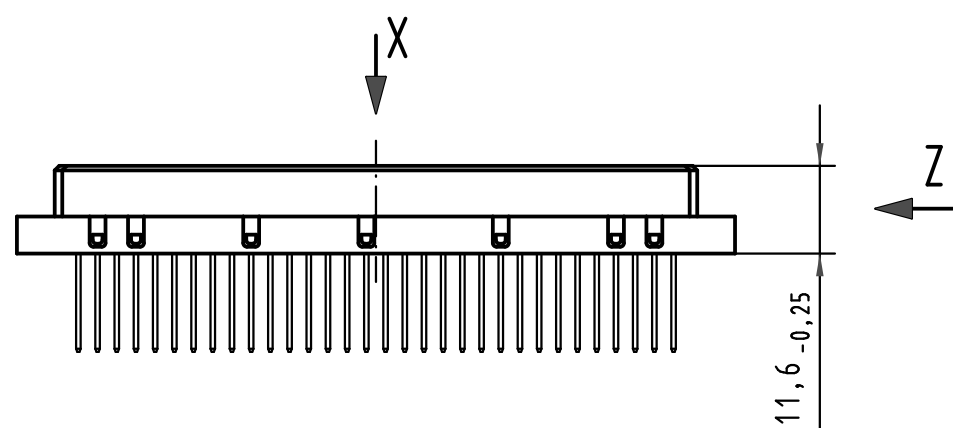
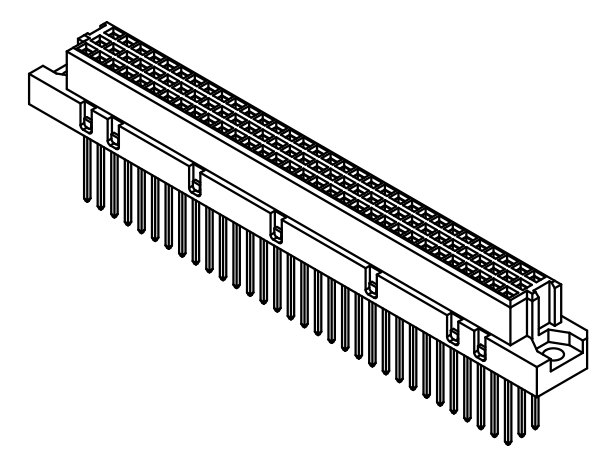
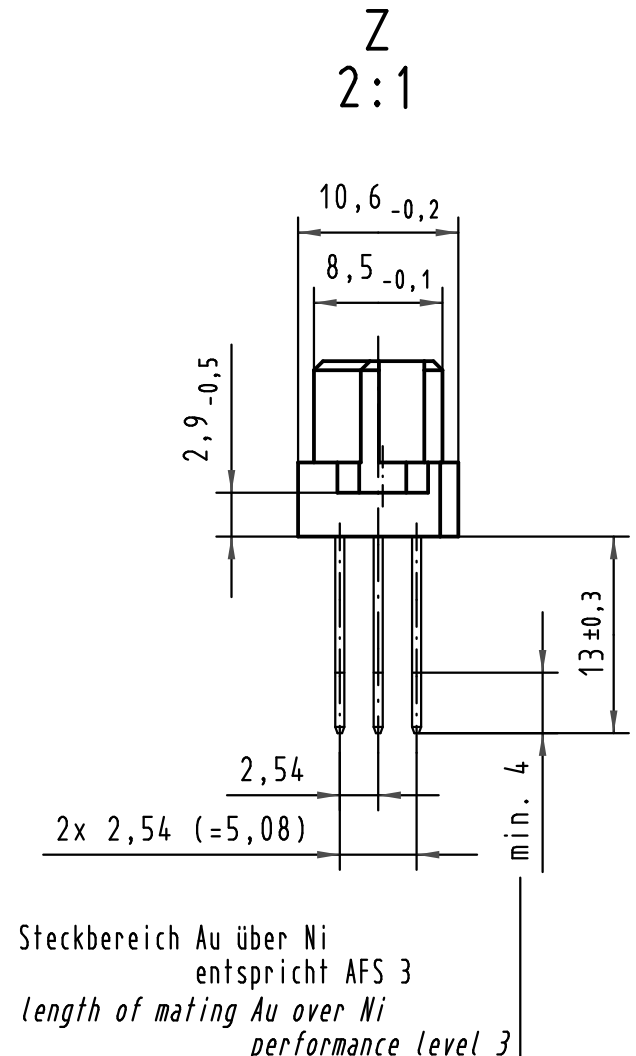
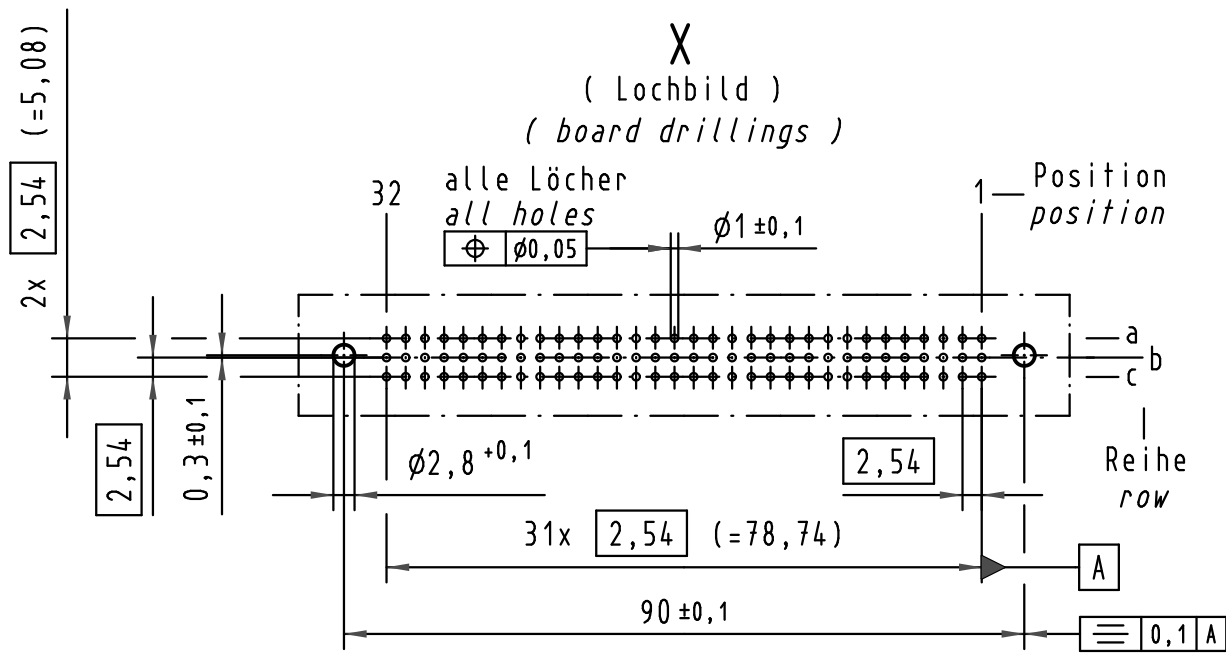


96 Signal Kontakte
96 signal contacts

☒ = Kontaktposition belegt
= position with contact

□ = Kontaktposition nicht belegt
= position without contact

X
(Lochbild)
(board drillings)



09 03 296 6878	2	Au über/over Ni
Bestell-Nr. part-no.	Anforderungsstufe nach IEC performance level acc. to IEC	Kontaktoberfläche contact plating

All Dimensions in mm Original Size DIN A 3			Techn. Character.			Nicht tolerierte Maßel Free size tolerances IEC 60603-2			
				Dat.	Name	Maßstab/Scale			
				Detail.	13.10.99	Rie.	1:1		
				Insp.	13.10.99	Pa.	(2:1)		
34650	01.10.07	Hage.	Stand.				Bauform C Federleiste, WW 13, 96 pol., Anschluß vergoldet type C female connector, WW 13, 96 pol., termination gold-plated		
26965	24.01.00	Rie.					TB 09 03 296 x878		
26859							Blatt/ page		
Mod.	Dat.	Name	HARTING Electronics GmbH & Co. KG D-32339 ESPELKAMP			Sub.			