

PRODUCT DATASHEET

is brought to you by



[SOS electronic](https://www.soselectronic.com/)

distribution of electronic components

Click to view availability, pricing and lifecycle information.

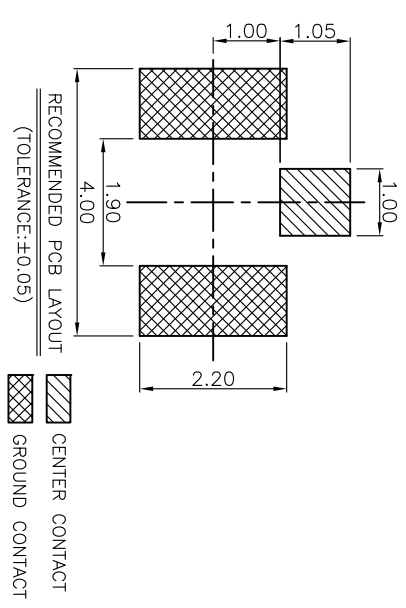
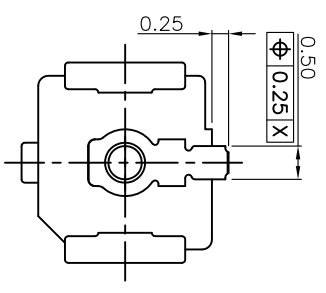
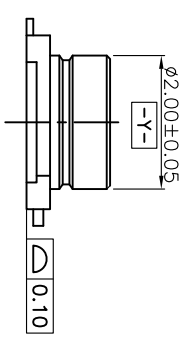
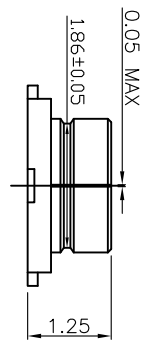
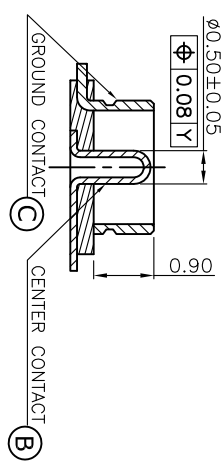
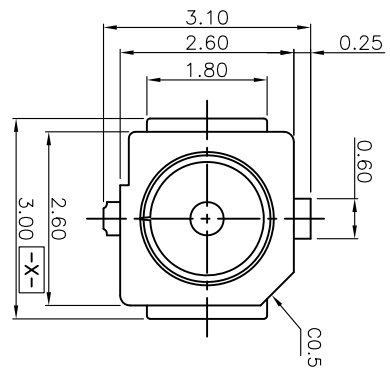
Visit <https://www.soselectronic.com/>

Datasheet begins on next page.

SWITCH CIRCUIT

MATERIAL AND FINISH AS BELOW

WHEN CARD IS EJECTED	WHEN CARD IS INSERTED	A Housing	LCP UL94V-0, Color: Ivory
		B Contact	Brass CZ680, Gold Flash
		C Ground	Phosphor Bronze, Gold Flash
		D	



SPECIFICATION:

1. ELECTRICAL

1.1 Current Rating: **1A**

1.2 Voltage Rating: **60VAC**

1.3 Contact Resistance:

Inner Contact | Initially: 20mΩ

Ground Contact | Initially: 10mΩ

1.4 Insulation Resistance: **500MΩ**

1.5 Dielectric Withstanding Voltage: **200VAC for 1 minute**

1.6 VSWR: **100MHz to 3GHz | 1.3Max**

3GHz to 6GHz | 1.4Max

1.7 Nominal Characteristic Impedance : **50Ω**

1.8 Applicable Frequency: **100MHz to 6GHz**

2. MECHANICAL

2.1 Durability: **30 cycle**

3. ENVIRONMENTAL

3.1 Operating temperature range: **-40°C to +85°C**

3.2 Storage temperature range: **-40°C to +85°C**

4. SOLDER ABILITY

4.1 Recommended IR Reflow Temperature: **260°C**

PIN ASSIGNMENT	

MRF1	MRF1, Contact Area: Gold Flash
PRODUCT NO.	DESCRIPTION



www.attend.com.tw

DRAWN NAME: Micro Coaxial RF Connector 1.25mm Hight

REV. 1	DESCRIPTION	DATE	REV. 4	DESCRIPTION	DATE	REV. 8	REV. 1.0	FILE NAME	321A-33125_B_1
△	Revise:								
△	Revise:								
△	Revise:								