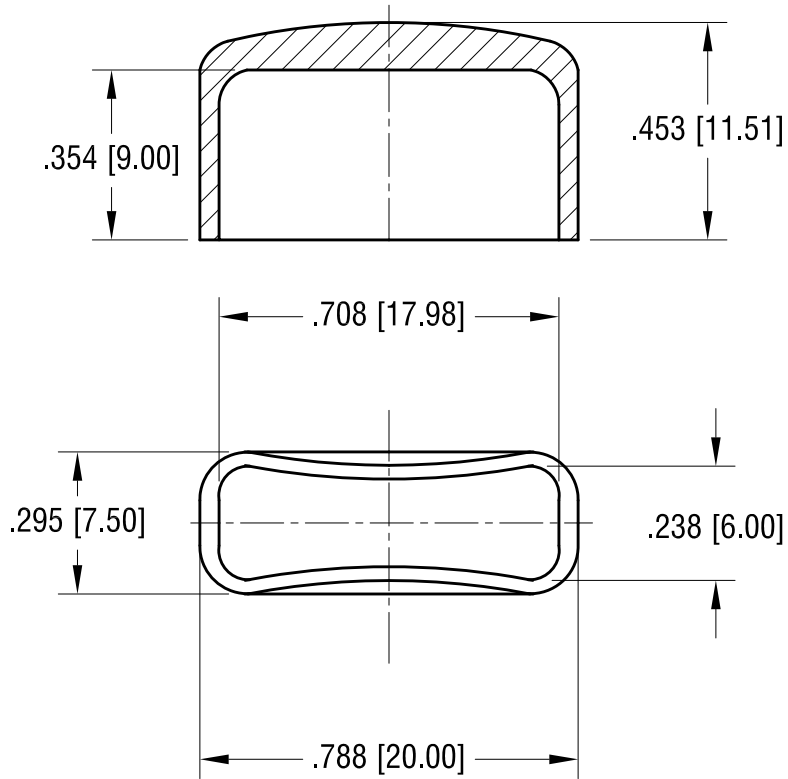


THIS DOCUMENT IS THE PROPERTY OF
KEYSTONE ELECTRONICS CORP. AND
SHALL NOT BE REPRODUCED, DISTRIBUTED
OR USED AS A BASIS FOR MANUFACTURE
WITHOUT PRIOR WRITTEN PERMISSION
FROM KEYSTONE ELECTRONICS CORP.



KEYSTONE ELECTRONICS CORP.

www.keyelco.com • ASTORIA, N.Y. 11105-2017 • Tel (718) 956-8900

PART NAME

COVER FOR 4.6mm x 15mm FUSE BLOCK

MATERIAL

PVC UL 94V-0

FINISH

-

DRN BY

NT

DATE

12/03/10

APP'D

LN

SCALE

2.5X

TOLERANCES

INCH [MM]

DECIMAL ± .032 [± 0.81]

ANGULAR ± 1°

UNLESS OTHERWISE SPECIFIED

CODE

C/M

DWG NO.

3521C

DATE	DESCRIPTION	REV.
------	-------------	------