

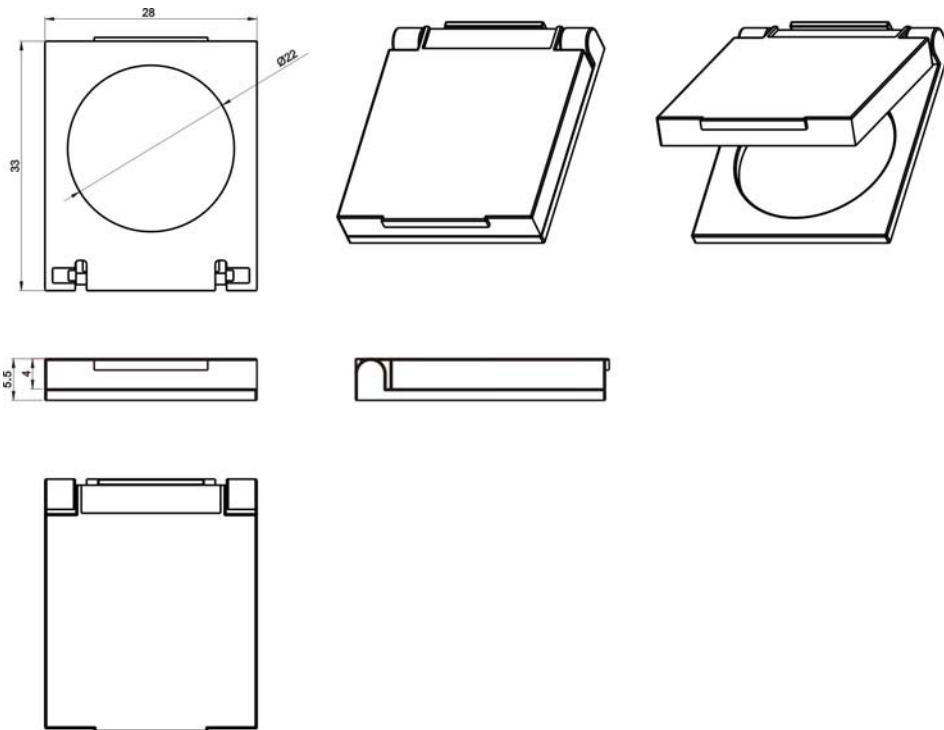
Datasheet

Item no.1303033

V1_0717_01_en

Φ 22mm, Switch Guard For Round Push Button

Item no. 1303033



Material PC

Dimension (L x H x W) 40 mm x 30 mm x 30 mm

This is a publication by Conrad Electronic SE, Klaus-Conrad-Str. 1, D-92240 Hirschau (www.conrad.com).
 All rights including translation reserved. Reproduction by any method, e.g. photocopy, microfilming, or the capture in electronic data processing systems require the prior written approval by the editor. Reprinting, also in part, is prohibited. This publication represents the technical status at the time of printing.

© Copyright 2017 by Conrad Electronic SE.