

VS1003 - MP3/WMA AUDIO CODEC

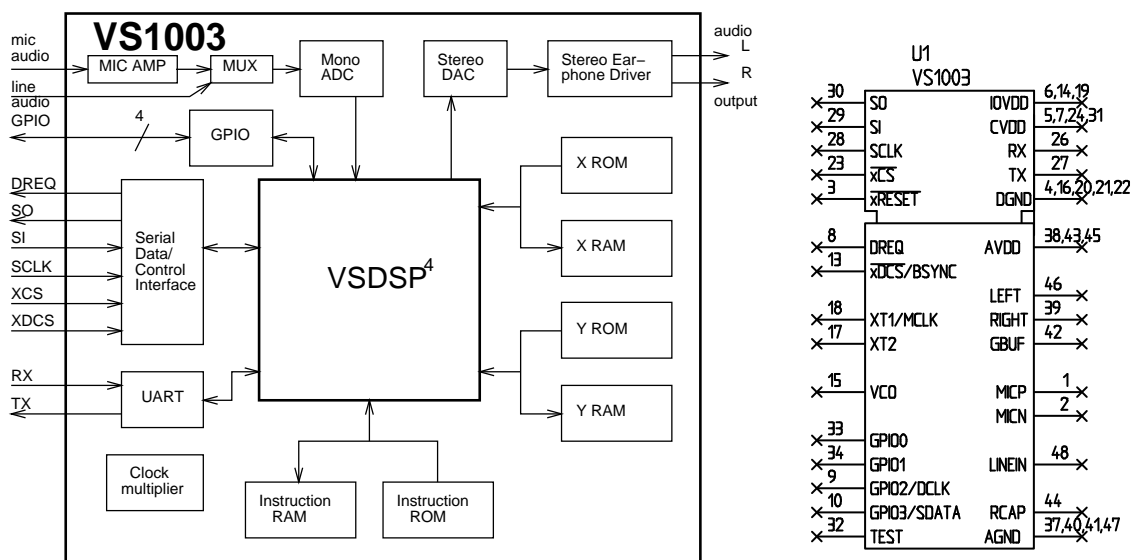
Features

- Decodes MPEG 1 & 2 audio layer III (CBR +VBR +ABR); WMA 4.0/4.1/7/8/9 all profiles (5-384kbit/s); WAV (PCM + IMA ADPCM); General MIDI / SP-MIDI files
- Encodes IMA ADPCM from microphone or line input
- Streaming support for MP3 and WAV
- Bass and treble controls
- Operates with a single 12..13 MHz clock
- Internal PLL clock multiplier
- Low-power operation
- High-quality on-chip stereo DAC with no phase error between channels
- Stereo earphone driver capable of driving a 30Ω load
- Separate operating voltages for analog, digital and I/O
- 5.5 KiB On-chip RAM for user code / data
- Serial control and data interfaces
- Can be used as a slave co-processor
- SPI flash boot for special applications
- UART for debugging purposes
- New functions may be added with software and 4 GPIO pins

Description

VS1003 is a single-chip MP3/WMA/MIDI audio decoder and ADPCM encoder. It contains a high-performance, proprietary low-power DSP processor core VS_DSP⁴, working data memory, 5 KiB instruction RAM and 0.5 KiB data RAM for user applications, serial control and input data interfaces, 4 general purpose I/O pins, an UART, as well as a high-quality variable-sample-rate mono ADC and stereo DAC, followed by an earphone amplifier and a common buffer.

VS1003 receives its input bitstream through a serial input bus, which it listens to as a system slave. The input stream is decoded and passed through a digital volume control to an 18-bit oversampling, multi-bit, sigma-delta DAC. The decoding is controlled via a serial control bus. In addition to the basic decoding, it is possible to add application specific features, like DSP effects, to the user RAM memory.



Contents

| | |
|---|-----------|
| 1 Licenses | 8 |
| 2 Disclaimer | 8 |
| 3 Definitions | 8 |
| 4 Characteristics & Specifications | 9 |
| 4.1 Absolute Maximum Ratings | 9 |
| 4.2 Recommended Operating Conditions | 9 |
| 4.3 Analog Characteristics | 10 |
| 4.4 Power Consumption | 11 |
| 4.5 Digital Characteristics | 11 |
| 4.6 Switching Characteristics - Boot Initialization | 11 |
| 5 Packages and Pin Descriptions | 12 |
| 5.1 Packages | 12 |
| 5.1.1 LQFP-48 | 12 |
| 5.1.2 BGA-49 | 12 |
| 5.2 LQFP-48 and BGA-49 Pin Descriptions | 13 |
| 6 Connection Diagram, LQFP-48 | 15 |
| 7 SPI Buses | 16 |
| 7.1 General | 16 |
| 7.2 SPI Bus Pin Descriptions | 16 |
| 7.2.1 VS1002 Native Modes (New Mode) | 16 |

| | | |
|----------|--|-----------|
| 7.2.2 | VS1001 Compatibility Mode | 16 |
| 7.3 | Data Request Pin DREQ | 17 |
| 7.4 | Serial Protocol for Serial Data Interface (SDI) | 17 |
| 7.4.1 | General | 17 |
| 7.4.2 | SDI in VS1002 Native Modes (New Mode) | 17 |
| 7.4.3 | SDI in VS1001 Compatibility Mode | 18 |
| 7.4.4 | Passive SDI Mode | 18 |
| 7.5 | Serial Protocol for Serial Command Interface (SCI) | 18 |
| 7.5.1 | General | 18 |
| 7.5.2 | SCI Read | 19 |
| 7.5.3 | SCI Write | 19 |
| 7.6 | SPI Timing Diagram | 20 |
| 7.7 | SPI Examples with SM_SDINEW and SM_SDISHARED set | 21 |
| 7.7.1 | Two SCI Writes | 21 |
| 7.7.2 | Two SDI Bytes | 21 |
| 7.7.3 | SCI Operation in Middle of Two SDI Bytes | 22 |
| 8 | Functional Description | 23 |
| 8.1 | Main Features | 23 |
| 8.2 | Supported Audio Codecs | 23 |
| 8.2.1 | Supported MP3 (MPEG layer III) Formats | 23 |
| 8.2.2 | Supported WMA Formats | 24 |
| 8.2.3 | Supported RIFF WAV Formats | 25 |
| 8.2.4 | Supported MIDI Formats | 26 |
| 8.3 | Data Flow of VS1003 | 27 |

| | | |
|----------|--|-----------|
| 8.4 | Serial Data Interface (SDI) | 27 |
| 8.5 | Serial Control Interface (SCI) | 28 |
| 8.6 | SCI Registers | 28 |
| 8.6.1 | SCI.MODE (RW) | 29 |
| 8.6.2 | SCI.STATUS (RW) | 31 |
| 8.6.3 | SCI.BASS (RW) | 31 |
| 8.6.4 | SCI.CLOCKF (RW) | 32 |
| 8.6.5 | SCI.DECODE.TIME (RW) | 33 |
| 8.6.6 | SCI.AUDATA (RW) | 33 |
| 8.6.7 | SCI.WRAM (RW) | 33 |
| 8.6.8 | SCI.WRAMADDR (W) | 33 |
| 8.6.9 | SCI.HDAT0 and SCI.HDAT1 (R) | 34 |
| 8.6.10 | SCI.AIADDR (RW) | 35 |
| 8.6.11 | SCI.VOL (RW) | 36 |
| 8.6.12 | SCI.AICTRL[x] (RW) | 36 |
| 9 | Operation | 37 |
| 9.1 | Clocking | 37 |
| 9.2 | Hardware Reset | 37 |
| 9.3 | Software Reset | 37 |
| 9.4 | ADPCM Recording | 38 |
| 9.4.1 | Activating ADPCM mode | 38 |
| 9.4.2 | Reading IMA ADPCM Data | 38 |
| 9.4.3 | Adding a RIFF Header | 39 |
| 9.4.4 | Playing ADPCM Data | 40 |

| | | |
|-----------|--|-----------|
| 9.4.5 | Sample Rate Considerations | 40 |
| 9.4.6 | Example Code | 40 |
| 9.5 | SPI Boot | 42 |
| 9.6 | Play/Decode | 42 |
| 9.7 | Feeding PCM data | 42 |
| 9.8 | SDI Tests | 43 |
| 9.8.1 | Sine Test | 43 |
| 9.8.2 | Pin Test | 43 |
| 9.8.3 | Memory Test | 44 |
| 9.8.4 | SCI Test | 44 |
| 10 | VS1003 Registers | 45 |
| 10.1 | Who Needs to Read This Chapter | 45 |
| 10.2 | The Processor Core | 45 |
| 10.3 | VS1003 Memory Map | 45 |
| 10.4 | SCI Registers | 45 |
| 10.5 | Serial Data Registers | 45 |
| 10.6 | DAC Registers | 46 |
| 10.7 | GPIO Registers | 47 |
| 10.8 | Interrupt Registers | 48 |
| 10.9 | A/D Modulator Registers | 49 |
| 10.10 | Watchdog v1.0 2002-08-26 | 50 |
| 10.10.1 | Registers | 50 |
| 10.11 | UART v1.0 2002-04-23 | 51 |
| 10.11.1 | Registers | 51 |

| | |
|--|----|
| 10.11.2 Status UARTx_STATUS | 51 |
| 10.11.3 Data UARTx_DATA | 52 |
| 10.11.4 Data High UARTx_DATAH | 52 |
| 10.11.5 Divider UARTx_DIV | 52 |
| 10.11.6 Interrupts and Operation | 53 |
| 10.12 Timers v1.0 2002-04-23 | 54 |
| 10.12.1 Registers | 54 |
| 10.12.2 Configuration TIMER_CONFIG | 54 |
| 10.12.3 Configuration TIMER_ENABLE | 55 |
| 10.12.4 Timer X Startvalue TIMER_Tx[L/H] | 55 |
| 10.12.5 Timer X Counter TIMER_TxCNT[L/H] | 55 |
| 10.12.6 Interrupts | 55 |
| 10.13 System Vector Tags | 56 |
| 10.13.1 AudioInt, 0x20 | 56 |
| 10.13.2 SciInt, 0x21 | 56 |
| 10.13.3 DataInt, 0x22 | 56 |
| 10.13.4 ModuInt, 0x23 | 56 |
| 10.13.5 TxInt, 0x24 | 57 |
| 10.13.6 RxInt, 0x25 | 57 |
| 10.13.7 Timer0Int, 0x26 | 57 |
| 10.13.8 Timer1Int, 0x27 | 57 |
| 10.13.9 UserCodec, 0x0 | 58 |
| 10.14 System Vector Functions | 58 |
| 10.14.1 WriteIRam(), 0x2 | 58 |

| | |
|---------------------------------------|-----------|
| 10.14.2 ReadIRam(), 0x4 | 58 |
| 10.14.3 DataBytes(), 0x6 | 58 |
| 10.14.4 GetDataByte(), 0x8 | 59 |
| 10.14.5 GetDataWords(), 0xa | 59 |
| 10.14.6 Reboot(), 0xc | 59 |
| 11 Document Version Changes | 60 |
| 12 Contact Information | 61 |

List of Figures

| | |
|---|----|
| 1 Pin Configuration, LQFP-48. | 12 |
| 2 Pin Configuration, BGA-49. | 12 |
| 3 Typical Connection Diagram Using LQFP-48. | 15 |
| 4 BSYNC Signal - one byte transfer. | 18 |
| 5 BSYNC Signal - two byte transfer. | 18 |
| 6 SCI Word Read | 19 |
| 7 SCI Word Write | 19 |
| 8 SPI Timing Diagram. | 20 |
| 9 Two SCI Operations. | 21 |
| 10 Two SDI Bytes. | 21 |
| 11 Two SDI Bytes Separated By an SCI Operation. | 22 |
| 12 Data Flow of VS1003. | 27 |
| 13 ADPCM Frequency Responses with 8kHz sample rate. | 30 |
| 14 User's Memory Map. | 46 |
| 15 RS232 Serial Interface Protocol | 51 |

1 Licenses

MPEG Layer-3 audio decoding technology licensed from Fraunhofer IIS and Thomson.

VS1003 contains WMA decoding technology from Microsoft.

This product is protected by certain intellectual property rights of Microsoft and cannot be used or further distributed without a license from Microsoft.

2 Disclaimer

All properties and figures are subject to change.

3 Definitions

B Byte, 8 bits.

b Bit.

Ki “Kibi” = $2^{10} = 1024$ (IEC 60027-2).

Mi “Mebi” = $2^{20} = 1048576$ (IEC 60027-2).

VS_DSP VLSI Solution’s DSP core.

W Word. In VS_DSP, instruction words are 32-bit and data words are 16-bit wide.

4 Characteristics & Specifications

4.1 Absolute Maximum Ratings

| Parameter | Symbol | Min | Max | Unit |
|-------------------------------|--------|------|------------------------|------|
| Analog Positive Supply | AVDD | -0.3 | 2.85 | V |
| Digital Positive Supply | CVDD | -0.3 | 2.7 | V |
| I/O Positive Supply | IOVDD | -0.3 | 3.6 | V |
| Current at Any Digital Output | | | ±50 | mA |
| Voltage at Any Digital Input | | -0.3 | IOVDD+0.3 ¹ | V |
| Operating Temperature | | -40 | +85 | °C |
| Storage Temperature | | -65 | +150 | °C |

¹ Must not exceed 3.6 V

4.2 Recommended Operating Conditions

| Parameter | Symbol | Min | Typ | Max | Unit |
|--|-----------|-----------|--------|-------------------|------|
| Ambient Operating Temperature | | -40 | | +85 | °C |
| Analog and Digital Ground ¹ | AGND DGND | | 0.0 | | V |
| Positive Analog | AVDD | 2.6 | 2.8 | 2.85 | V |
| Positive Digital | CVDD | 2.4 | 2.5 | 2.7 | V |
| I/O Voltage | IOVDD | CVDD-0.6V | 2.8 | 3.6 | V |
| Input Clock Frequency ² | XTALI | 12 | 12.288 | 13 | MHz |
| Internal Clock Frequency | CLKI | 12 | 36.864 | 52.0 ⁴ | MHz |
| Internal Clock Multiplier ³ | | 1.0× | 3.0× | 4.5 ⁴ | |
| Master Clock Duty Cycle | | 40 | 50 | 60 | % |

¹ Must be connected together as close the device as possible for latch-up immunity.

² The maximum sample rate that can be played with correct speed is XTALI/256.

Thus, XTALI must be at least 12.288 MHz to be able to play 48 kHz at correct speed.

³ Reset value is 1.0×. Recommended SC_MULT=3.0×, SC_ADD=1.0× (SCI_CLOCKF=0x9000).

⁴ 52.0 MHz is the maximum clock for the full CVDD range.

(4.0 × 12.288 MHz=49.152 MHz or 3.5 × 13.0 MHz=45.5 MHz)

4.3 Analog Characteristics

Unless otherwise noted: AVDD=2.5..2.85V, CVDD=2.4..2.7V, IOVDD=CVDD-0.6V..3.6V, TA=-25..+70°C, XTALI=12..13MHz, Internal Clock Multiplier 3.5×. DAC tested with 1307.894 Hz full-scale output sinewave, measurement bandwidth 20..20000 Hz, analog output load: LEFT to GBUF 30Ω, RIGHT to GBUF 30Ω. Microphone test amplitude 50 mVpp, $f_s=1$ kHz, Line input test amplitude 1.1 V, $f_s=1$ kHz.

| Parameter | Symbol | Min | Typ | Max | Unit |
|--|--------|------|------------------|-------------------|---------|
| DAC Resolution | | | 18 | | bits |
| Total Harmonic Distortion | THD | | 0.1 | 0.3 | % |
| Dynamic Range (DAC unmuted, A-weighted) | IDR | | 90 | | dB |
| S/N Ratio (full scale signal) | SNR | 70 | | | dB |
| Interchannel Isolation (Cross Talk) | | 50 | 75 | | dB |
| Interchannel Isolation (Cross Talk), with GBUF | | | 40 | | dB |
| Interchannel Gain Mismatch | | -0.5 | | 0.5 | dB |
| Frequency Response | | -0.1 | | 0.1 | dB |
| Full Scale Output Voltage (Peak-to-peak) | | 1.3 | 1.5 ¹ | 1.7 | Vpp |
| Deviation from Linear Phase | | | | 5 | ° |
| Analog Output Load Resistance | AOLR | 16 | 30 ² | | Ω |
| Analog Output Load Capacitance | | | | 100 | pF |
| Microphone input amplifier gain | MICG | | 26 | | dB |
| Microphone input amplitude | | | 50 | 140 ³ | mVpp AC |
| Microphone Total Harmonic Distortion | MTHD | | 0.02 | 0.10 | % |
| Microphone S/N Ratio | MSNR | 50 | 62 | | dB |
| Line input amplitude | | | 2200 | 2800 ³ | mVpp AC |
| Line input Total Harmonic Distortion | LTHD | | 0.06 | 0.10 | % |
| Line input S/N Ratio | LSNR | 60 | 68 | | dB |
| Line and Microphone input impedances | | | 100 | | kΩ |

Typical values are measured of about 5000 devices of Lot 4234011, Week Code 0452.

¹ 3.0 volts can be achieved with +-to-+ wiring for mono difference sound.

² AOLR may be much lower, but below *Typical* distortion performance may be compromised.

³ Above typical amplitude the Harmonic Distortion increases.

4.4 Power Consumption

Tested with an MPEG 1.0 Layer-3 128 kbit/s sample and generated sine. Output at full volume. XTALI 12.288 MHz. Internal clock multiplier 3.0×. CVDD = 2.5 V, AVDD = 2.8 V.

| Parameter | Min | Typ | Max | Unit |
|--|-----|------|-------|------|
| Power Supply Consumption AVDD, Reset | | 0.6 | 5.0 | μA |
| Power Supply Consumption CVDD, Reset, +25°C | | 3.7 | 40.0 | μA |
| Power Supply Consumption CVDD, Reset, +85°C | | | 200.0 | μA |
| Power Supply Consumption AVDD, sine test, 30Ω + GBUF | | 36.9 | | mA |
| Power Supply Consumption CVDD, sine test | | 12.4 | | mA |
| Power Supply Consumption AVDD, no load | | 7.0 | | mA |
| Power Supply Consumption AVDD, output load 30Ω | | 10.9 | | mA |
| Power Supply Consumption AVDD, 30Ω + GBUF | | 16.1 | | mA |
| Power Supply Consumption CVDD | | 17.5 | | mA |

4.5 Digital Characteristics

| Parameter | Symbol | Min | Typ | Max | Unit |
|---|--------|-----------|-----|------------------------|------|
| High-Level Input Voltage | | 0.7×IOVDD | | IOVDD+0.3 ¹ | V |
| Low-Level Input Voltage | | -0.2 | | 0.3×IOVDD | V |
| High-Level Output Voltage at I _O = -1.0 mA | | 0.7×IOVDD | | | V |
| Low-Level Output Voltage at I _O = 1.0 mA | | | | 0.3×IOVDD | V |
| Input Leakage Current | | -1.0 | | 1.0 | μA |
| SPI Input Clock Frequency ² | | | | $\frac{CLKI}{6}$ | MHz |
| Rise time of all output pins, load = 50 pF | | | | 50 | ns |

¹ Must not exceed 3.6V

² Value for SCI reads. SCI and SDI writes allow $\frac{CLKI}{4}$.

4.6 Switching Characteristics - Boot Initialization

| Parameter | Symbol | Min | Max | Unit |
|-----------------------------------|--------|-------|--------------------|-------|
| XRESET active time | | 2 | | XTALI |
| XRESET inactive to software ready | | 16600 | 50000 ¹ | XTALI |
| Power on reset, rise time to CVDD | | 10 | | V/s |

¹ DREQ rises when initialization is complete. You should not send any data or commands before that.

5 Packages and Pin Descriptions

5.1 Packages

Both LQFP-48 and BGA-49 are lead (Pb) free and also RoHS compliant packages. RoHS is a short name of *Directive 2002/95/EC on the restriction of the use of certain hazardous substances in electrical and electronic equipment*.

5.1.1 LQFP-48

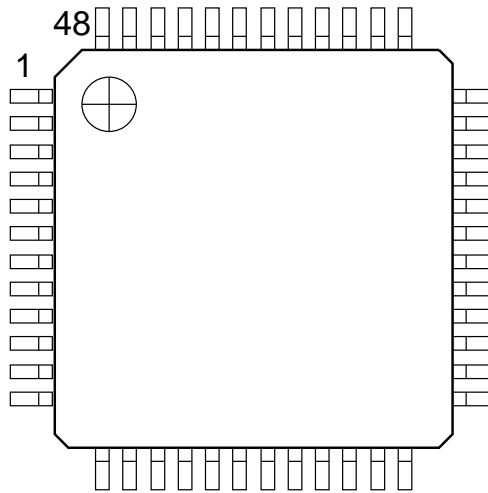


Figure 1: Pin Configuration, LQFP-48.

LQFP-48 package dimensions are at <http://www.vlsi.fi/>.

5.1.2 BGA-49

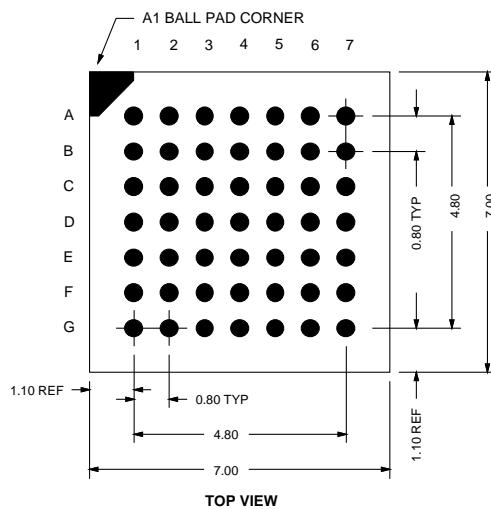


Figure 2: Pin Configuration, BGA-49.

BGA-49 package dimensions are at <http://www.vlsi.fi/>.

5.2 LQFP-48 and BGA-49 Pin Descriptions

| Pin Name | LQFP-48 Pin | BGA49 Ball | Pin Type | Function |
|----------------------------|-------------|------------|----------|--|
| MICP | 1 | C3 | AI | Positive differential microphone input, self-biasing |
| MICN | 2 | C2 | AI | Negative differential microphone input, self-biasing |
| XRESET | 3 | B1 | DI | Active low asynchronous reset |
| DGND0 | 4 | D2 | DGND | Core & I/O ground |
| CVDD0 | 5 | C1 | CPWR | Core power supply |
| IOVDD0 | 6 | D3 | IOPWR | I/O power supply |
| CVDD1 | 7 | D1 | CPWR | Core power supply |
| DREQ | 8 | E2 | DO | Data request, input bus |
| GPIO2 / DCLK ¹ | 9 | E1 | DIO | General purpose IO 2 / serial input data bus clock |
| GPIO3 / SDATA ¹ | 10 | F2 | DIO | General purpose IO 3 / serial data input |
| XDCS / BSYNC ¹ | 13 | E3 | DI | Data chip select / byte sync |
| IOVDD1 | 14 | F3 | IOPWR | I/O power supply |
| VCO | 15 | G2 | DO | For testing only (Clock VCO output) |
| DGND1 | 16 | F4 | DGND | Core & I/O ground |
| XTALO | 17 | G3 | AO | Crystal output |
| XTALI | 18 | E4 | AI | Crystal input |
| IOVDD2 | 19 | G4 | IOPWR | I/O power supply |
| IOVDD3 | | F5 | IOPWR | I/O power supply |
| DGND2 | 20 | | DGND | Core & I/O ground |
| DGND3 | 21 | G5 | DGND | Core & I/O ground |
| DGND4 | 22 | F6 | DGND | Core & I/O ground |
| XCS | 23 | G6 | DI | Chip select input (active low) |
| CVDD2 | 24 | G7 | CPWR | Core power supply |
| RX | 26 | E6 | DI | UART receive, connect to IOVDD if not used |
| TX | 27 | F7 | DO | UART transmit |
| SCLK | 28 | D6 | DI | Clock for serial bus |
| SI | 29 | E7 | DI | Serial input |
| SO | 30 | D5 | DO3 | Serial output |
| CVDD3 | 31 | D7 | CPWR | Core power supply |
| TEST | 32 | C6 | DI | Reserved for test, connect to IOVDD |
| GPIO0 / SPIBOOT | 33 | C7 | DIO | General purpose IO 0 / SPIBOOT, use 100 k Ω pull-down resistor ² |
| GPIO1 | 34 | B6 | DIO | General purpose IO 1 |
| AGND0 | 37 | C5 | APWR | Analog ground, low-noise reference |
| AVDD0 | 38 | B5 | APWR | Analog power supply |
| RIGHT | 39 | A6 | AO | Right channel output |
| AGND1 | 40 | B4 | APWR | Analog ground |
| AGND2 | 41 | A5 | APWR | Analog ground |
| GBUF | 42 | C4 | AO | Common buffer for headphones |
| AVDD1 | 43 | A4 | APWR | Analog power supply |
| RCAP | 44 | B3 | AIO | Filtering capacitance for reference |
| AVDD2 | 45 | A3 | APWR | Analog power supply |
| LEFT | 46 | B2 | AO | Left channel output |
| AGND3 | 47 | A2 | APWR | Analog ground |
| LINEIN | 48 | A1 | AI | Line input |

¹ First pin function is active in New Mode, latter in Compatibility Mode.

² Unless pull-down resistor is used, SPI Boot is tried. See Chapter 9.5 for details.

Pin types:

| Type | Description | Type | Description |
|------|--|-------|-------------------------|
| DI | Digital input, CMOS Input Pad | AO | Analog output |
| DO | Digital output, CMOS Input Pad | AIO | Analog input/output |
| DIO | Digital input/output | APWR | Analog power supply pin |
| DO3 | Digital output, CMOS Tri-stated Output Pad | DGND | Core or I/O ground pin |
| AI | Analog input | CPWR | Core power supply pin |
| | | IOPWR | I/O power supply pin |

In BGA-49, no-connect balls are A7, B7, D4, E5, F1, G1.

In LQFP-48, no-connect pins are 11, 12, 25, 35, 36.

6 Connection Diagram, LQFP-48

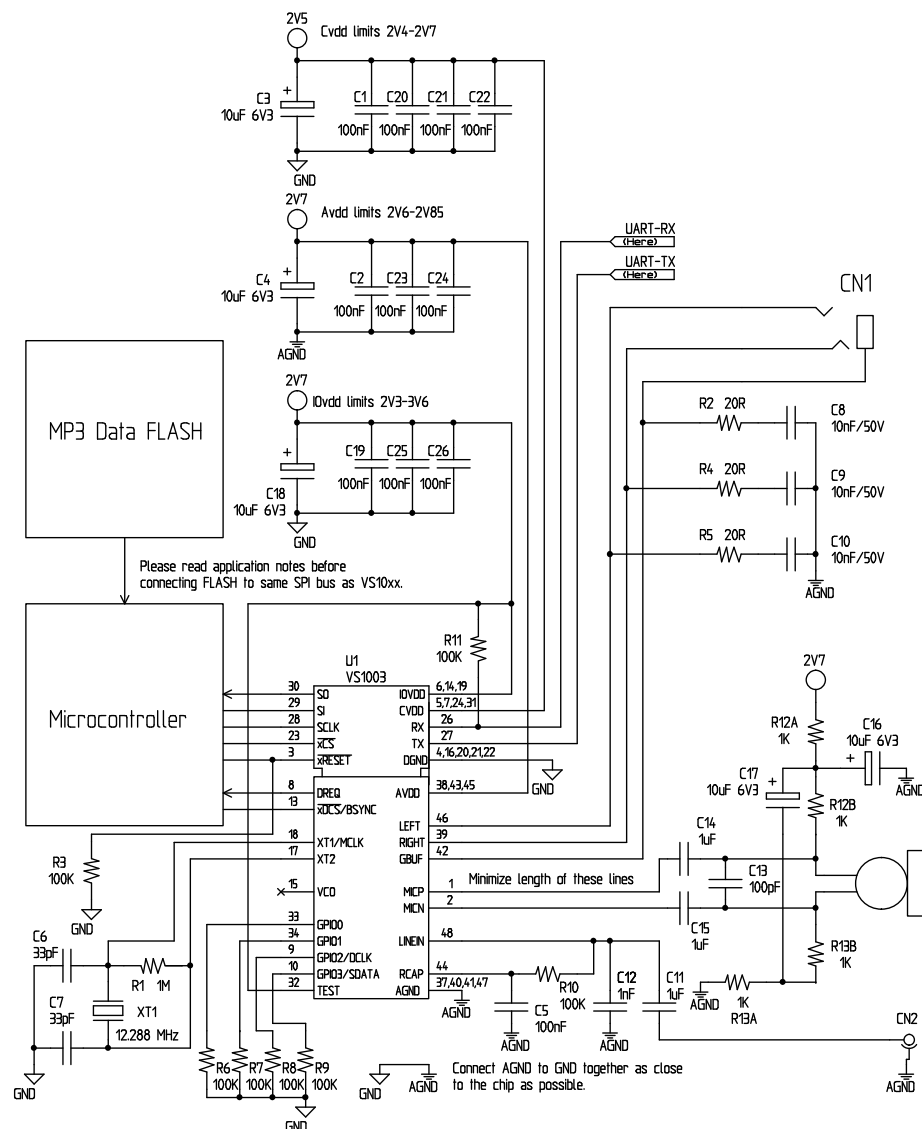


Figure 3: Typical Connection Diagram Using LQFP-48.

The common buffer GBUF can be used for common voltage (1.24 V) for earphones. This will eliminate the need for large isolation capacitors on line outputs, and thus the audio output pins from VS1003 may be connected directly to the earphone connector.

Unused GPIO pins should have a pull-down resistor.

If GBUF is not used, LEFT and RIGHT must be provided with 100 μ F capacitors.

If UART is not used, RX should be connected to IOVDD and TX be unconnected.

Do not connect any external load to XTALO.

Note: This connection assumes SM_SDINew is active (see Chapter 8.6.1). If also SM_SDISHARE is used, xDCS should be tied low or high (see Chapter 7.2.1).

7 SPI Buses

7.1 General

The SPI Bus - that was originally used in some Motorola devices - has been used for both VS1003's Serial Data Interface SDI (Chapters 7.4 and 8.4) and Serial Control Interface SCI (Chapters 7.5 and 8.5).

7.2 SPI Bus Pin Descriptions

7.2.1 VS1002 Native Modes (New Mode)

These modes are active on VS1003 when SM_SDINEW is set to 1 (default at startup). DCLK, SDATA and BSYNC are replaced with GPIO2, GPIO3 and XDCS, respectively.

| SDI Pin | SCI Pin | Description |
|---------|---------|--|
| XDCS | XCS | Active low chip select input. A high level forces the serial interface into standby mode, ending the current operation. A high level also forces serial output (SO) to high impedance state. If SM_SDISHARE is 1, pin XDCS is not used, but the signal is generated internally by inverting XCS. |
| SCK | | Serial clock input. The serial clock is also used internally as the master clock for the register interface. SCK can be gated or continuous. In either case, the first rising clock edge after XCS has gone low marks the first bit to be written. |
| SI | | Serial input. If a chip select is active, SI is sampled on the rising CLK edge. |
| - | SO | Serial output. In reads, data is shifted out on the falling SCK edge. In writes SO is at a high impedance state. |

7.2.2 VS1001 Compatibility Mode

This mode is active when SM_SDINEW is set to 0. In this mode, DCLK, SDATA and BSYNC are active.

| SDI Pin | SCI Pin | Description |
|---------|---------|---|
| - | XCS | Active low chip select input. A high level forces the serial interface into standby mode, ending the current operation. A high level also forces serial output (SO) to high impedance state. |
| BSYNC | - | SDI data is synchronized with a rising edge of BSYNC. |
| DCLK | SCK | Serial clock input. The serial clock is also used internally as the master clock for the register interface. SCK can be gated or continuous. In either case, the first rising clock edge after XCS has gone low marks the first bit to be written. |
| SDATA | SI | Serial input. SI is sampled on the rising SCK edge, if XCS is low. |
| - | SO | Serial output. In reads, data is shifted out on the falling SCK edge. In writes SO is at a high impedance state. |

7.3 Data Request Pin DREQ

The DREQ pin/signal is used to signal if VS1003's FIFO is capable of receiving data. If DREQ is high, VS1003 can take at least 32 bytes of SDI data or one SCI command. When these criteria are not met, DREQ is turned low, and the sender should stop transferring new data.

Because of the 32-byte safety area, the sender may send upto 32 bytes of SDI data at a time without checking the status of DREQ, making controlling VS1003 easier for low-speed microcontrollers.

Note: DREQ may turn low or high at any time, even during a byte transmission. Thus, DREQ should only be used to decide whether to send more bytes. It should not abort a transmission that has already started.

Note: In VS10XX products upto VS1002, DREQ was only used for SDI. In VS1003 DREQ is also used to tell the status of SCI.

7.4 Serial Protocol for Serial Data Interface (SDI)

7.4.1 General

The serial data interface operates in slave mode so DCLK signal must be generated by an external circuit.

Data (SDATA signal) can be clocked in at either the rising or falling edge of DCLK (Chapter 8.6).

VS1003 assumes its data input to be byte-synchronized. SDI bytes may be transmitted either MSb or LSb first, depending of contents of SCI_MODE (Chapter 8.6.1).

The firmware is able to accept the maximum bitrate the SDI supports.

7.4.2 SDI in VS1002 Native Modes (New Mode)

In VS1002 native modes (SM_NEWMODE is 1), byte synchronization is achieved by XDCS. The state of XDCS may not change while a data byte transfer is in progress. To always maintain data synchronization even if there may be glitches in the boards using VS1003, it is recommended to turn XDCS every now and then, for instance once after every flash data block or a few kilobytes, just to keep sure the host and VS1003 are in sync.

If SM_SDISHARE is 1, the XDCS signal is internally generated by inverting the XCS input.

For new designs, using VS1002 native modes are recommended.

7.4.3 SDI in VS1001 Compatibility Mode

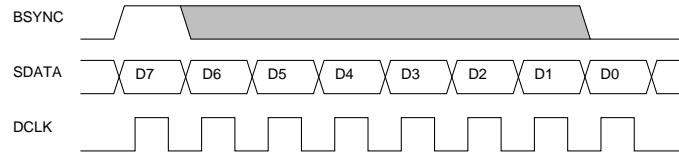


Figure 4: BSYNC Signal - one byte transfer.

When VS1003 is running in VS1001 compatibility mode, a BSYNC signal must be generated to ensure correct bit-alignment of the input bitstream. The first DCLK sampling edge (rising or falling, depending on selected polarity), during which the BSYNC is high, marks the first bit of a byte (LSB, if LSB-first order is used, MSB, if MSB-first order is used). If BSYNC is '1' when the last bit is received, the receiver stays active and next 8 bits are also received.

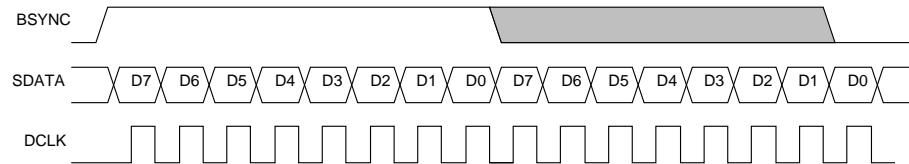


Figure 5: BSYNC Signal - two byte transfer.

7.4.4 Passive SDI Mode

If SM_NEWMODE is 0 and SM_SDISHARE is 1, the operation is otherwise like the VS1001 compatibility mode, but bits are only received while the BSYNC signal is '1'. Rising edge of BSYNC is still used for synchronization.

7.5 Serial Protocol for Serial Command Interface (SCI)

7.5.1 General

The serial bus protocol for the Serial Command Interface SCI (Chapter 8.5) consists of an instruction byte, address byte and one 16-bit data word. Each read or write operation can read or write a single register. Data bits are read at the rising edge, so the user should update data at the falling edge. Bytes are always send MSb first. XCS should be low for the full duration of the operation, but you can have pauses between bits if needed.

The operation is specified by an 8-bit instruction opcode. The supported instructions are read and write. See table below.

| Instruction | | |
|-------------|-------------|------------|
| Name | Opcode | Operation |
| READ | 0b0000 0011 | Read data |
| WRITE | 0b0000 0010 | Write data |

Note: VS1003 sets DREQ low after each SCI operation. The duration depends on the operation. It is not allowed to start a new SCI/SDI operation before DREQ is high again.

7.5.2 SCI Read

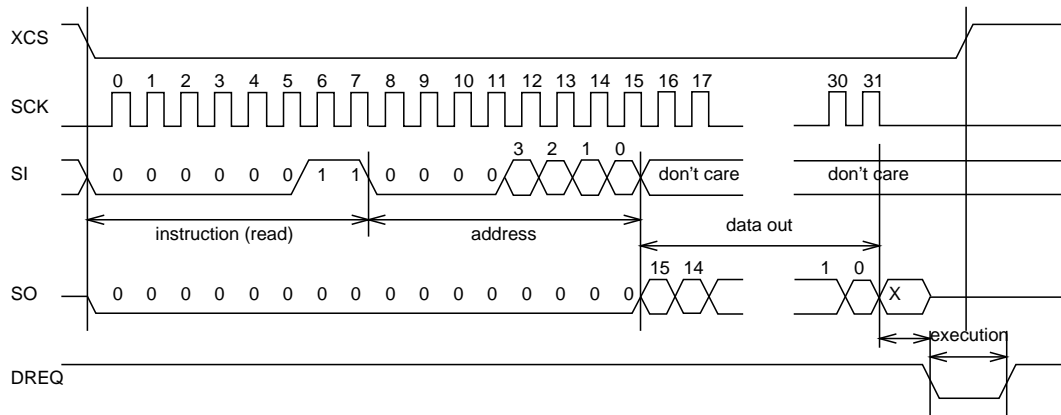


Figure 6: SCI Word Read

VS1003 registers are read from using the following sequence, as shown in Figure 6. First, XCS line is pulled low to select the device. Then the READ opcode (0x3) is transmitted via the SI line followed by an 8-bit word address. After the address has been read in, any further data on SI is ignored by the chip. The 16-bit data corresponding to the received address will be shifted out onto the SO line.

XCS should be driven high after data has been shifted out.

DREQ is driven low for a short while when in a read operation by the chip. This is a very short time and doesn't require special user attention.

7.5.3 SCI Write

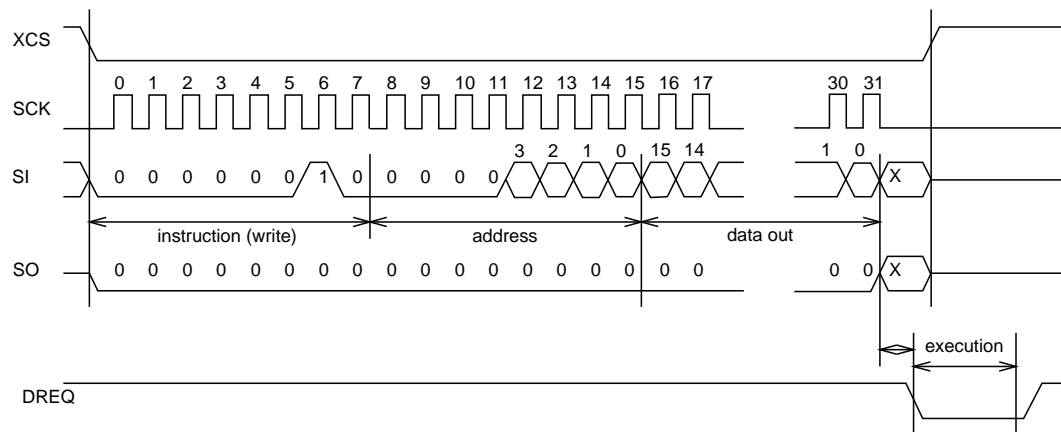


Figure 7: SCI Word Write

VS1003 registers are written from using the following sequence, as shown in Figure 7. First, XCS line is pulled low to select the device. Then the WRITE opcode (0x2) is transmitted via the SI line followed by an 8-bit word address.

After the word has been shifted in and the last clock has been sent, XCS should be pulled high to end the WRITE sequence.

After the last bit has been sent, DREQ is driven low for the duration of the register update, marked “execution” in the figure. The time varies depending on the register and its contents (see table in Chapter 8.6 for details). If the maximum time is longer than what it takes from the microcontroller to feed the next SCI command or SDI byte, it is not allowed to finish a new SCI/SDI operation before DREQ has risen up again.

7.6 SPI Timing Diagram

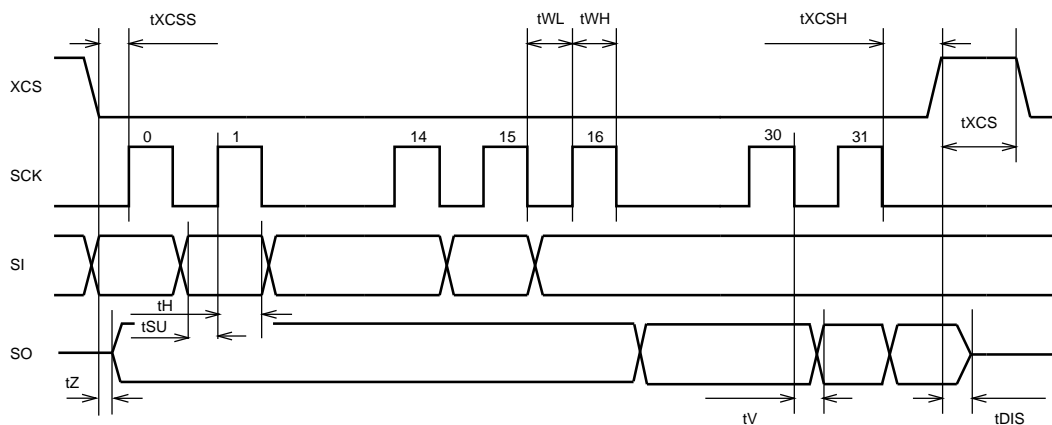


Figure 8: SPI Timing Diagram.

| Symbol | Min | Max | Unit |
|--------|-----|--------------------------|-------------|
| tXCSS | 5 | | ns |
| tSU | -26 | | ns |
| tH | 2 | | CLKI cycles |
| tZ | 0 | | ns |
| tWL | 2 | | CLKI cycles |
| tWH | 2 | | CLKI cycles |
| tV | | 2 (+ 25ns ¹) | CLKI cycles |
| tXCSH | -26 | | ns |
| tXCS | 2 | | CLKI cycles |
| tDIS | | 10 | ns |

¹ 25ns is when pin loaded with 100pF capacitance. The time is shorter with lower capacitance.

Note: As tWL and tWH, as well as tH require at least 2 clock cycles, the maximum speed for the SPI bus that can easily be used is 1/6 of VS1003’s internal clock speed CLKI. Slightly higher speed can be achieved with very careful timing tuning. For details, see Application Notes for VS10XX.

Note: Although the timing is derived from the internal clock CLKI, the system always starts up in 1.0× mode, thus CLKI=XTALI.

Note: Negative numbers mean that the signal can change in different order from what is shown in the diagram.

7.7 SPI Examples with SM_SDINEW and SM_SDISHARED set

7.7.1 Two SCI Writes

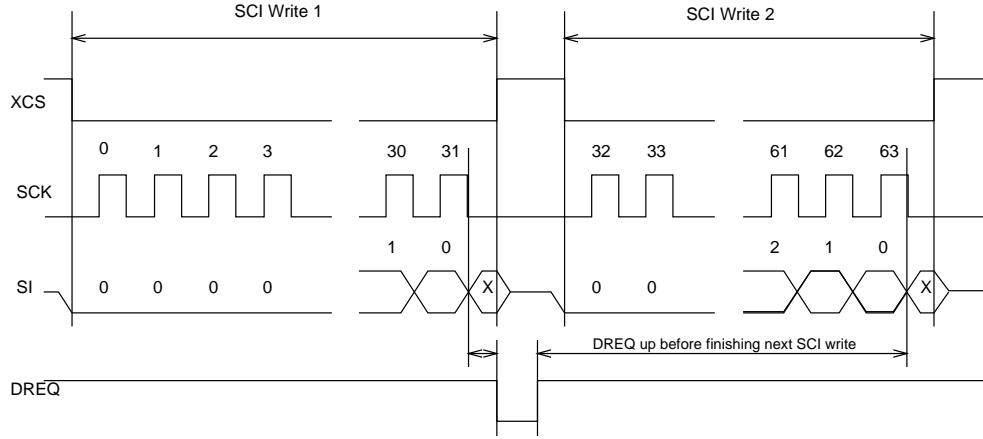


Figure 9: Two SCI Operations.

Figure 9 shows two consecutive SCI operations. Note that xCS *must* be raised to inactive state between the writes. Also DREQ must be respected as shown in the figure.

7.7.2 Two SDI Bytes

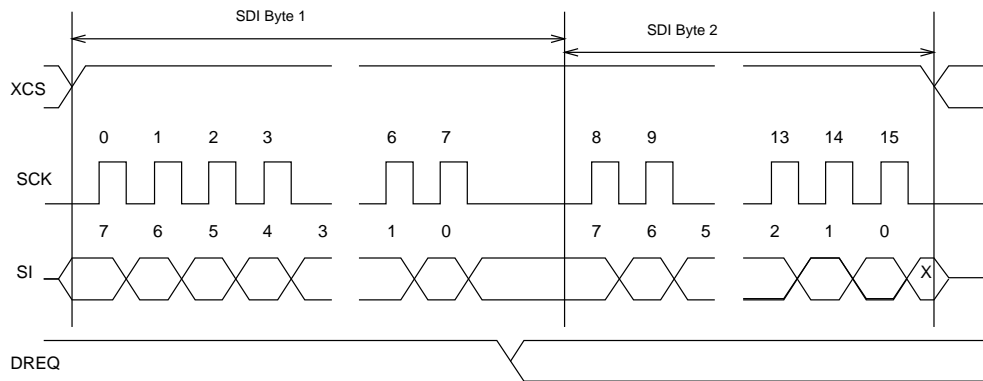


Figure 10: Two SDI Bytes.

SDI data is synchronized with a raising edge of xCS as shown in Figure 10. However, every byte doesn't need separate synchronization.

7.7.3 SCI Operation in Middle of Two SDI Bytes

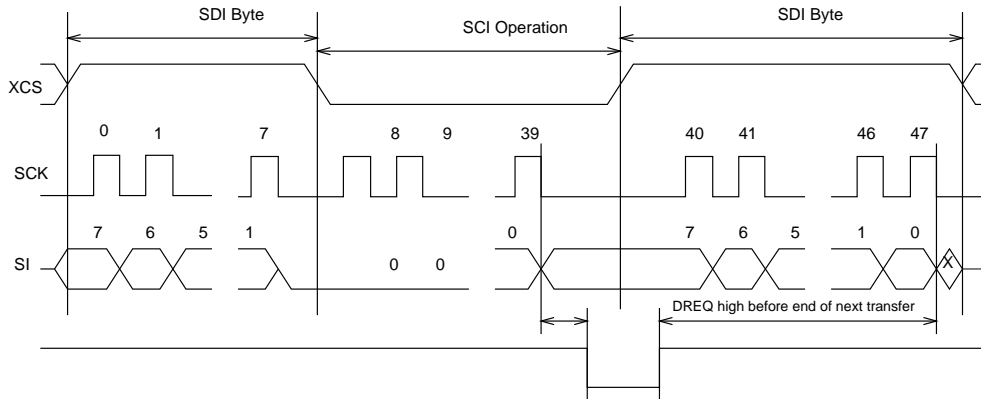


Figure 11: Two SDI Bytes Separated By an SCI Operation.

Figure 11 shows how an SCI operation is embedded in between SDI operations. xCS edges are used to synchronize both SDI and SCI. Remember to respect DREQ as shown in the figure.

8 Functional Description

8.1 Main Features

VS1003 is based on a proprietary digital signal processor, VS_DSP. It contains all the code and data memory needed for MP3, WMA and WAV PCM + ADPCM audio decoding, MIDI synthesizer, together with serial interfaces, a multirate stereo audio DAC and analog output amplifiers and filters. Also AD-PCM audio encoding is supported using a microphone amplifier and A/D converter. A UART is provided for debugging purposes.

8.2 Supported Audio Codecs

| Conventions | |
|-------------|------------------------------------|
| Mark | Description |
| + | Format is supported |
| - | Format exists but is not supported |
| | Format doesn't exist |

8.2.1 Supported MP3 (MPEG layer III) Formats

MPEG 1.0¹:

| Samplerate / Hz | Bitrate / kbit/s | | | | | | | | | | | | | |
|-----------------|------------------|----|----|----|----|----|----|-----|-----|-----|-----|-----|-----|-----|
| | 32 | 40 | 48 | 56 | 64 | 80 | 96 | 112 | 128 | 160 | 192 | 224 | 256 | 320 |
| 48000 | + | + | + | + | + | + | + | + | + | + | + | + | + | + |
| 44100 | + | + | + | + | + | + | + | + | + | + | + | + | + | + |
| 32000 | + | + | + | + | + | + | + | + | + | + | + | + | + | + |

MPEG 2.0¹:

| Samplerate / Hz | Bitrate / kbit/s | | | | | | | | | | | | | |
|-----------------|------------------|----|----|----|----|----|----|----|----|----|-----|-----|-----|-----|
| | 8 | 16 | 24 | 32 | 40 | 48 | 56 | 64 | 80 | 96 | 112 | 128 | 144 | 160 |
| 24000 | + | + | + | + | + | + | + | + | + | + | + | + | + | + |
| 22050 | + | + | + | + | + | + | + | + | + | + | + | + | + | + |
| 16000 | + | + | + | + | + | + | + | + | + | + | + | + | + | + |

MPEG 2.5^{1 2}:

| Samplerate / Hz | Bitrate / kbit/s | | | | | | | | | | | | | |
|-----------------|------------------|----|----|----|----|----|----|----|----|----|-----|-----|-----|-----|
| | 8 | 16 | 24 | 32 | 40 | 48 | 56 | 64 | 80 | 96 | 112 | 128 | 144 | 160 |
| 12000 | + | + | + | + | + | + | + | + | + | + | + | + | + | + |
| 11025 | + | + | + | + | + | + | + | + | + | + | + | + | + | + |
| 8000 | + | + | + | + | + | + | + | + | + | + | + | + | + | + |

¹ Also all variable bitrate (VBR) formats are supported.

² Incompatibilities may occur because MPEG 2.5 is not a standard format.

8.2.2 Supported WMA Formats

Windows Media Audio codec versions 2, 7, 8, and 9 are supported. All WMA profiles (L1, L2, and L3) are supported. Previously streams were separated into Classes 1, 2a, 2b, and 3. WMA 9 Professional and WMA 9 Lossless are not supported. The decoder has passed Microsoft's conformance testing program.

WMA 4.0 / 4.1:

| Samplerate / Hz | Bitrate / kbit/s | | | | | | | | | | | | | | | | |
|--------------------|------------------|---|---|----|----|----|----|----|----|----|----|----|----|----|-----|-----|-----|
| | 5 | 6 | 8 | 10 | 12 | 16 | 20 | 22 | 32 | 40 | 48 | 64 | 80 | 96 | 128 | 160 | 192 |
| 8000 | + | + | + | | + | | | | | | | | | | | | |
| 11025 | | | + | + | | | | | | | | | | | | | |
| 16000 | | | | + | + | + | + | | | | | | | | | | |
| 22050 | | | | | | + | + | + | + | | | | | | | | |
| 32000 | | | | | | | + | + | + | + | + | + | | | | | |
| 44100 | | | | | | | | | + | | + | + | + | + | + | + | |
| 48000 | | | | | | | | | | | | | | | + | + | |

WMA 7:

| Samplerate / Hz | Bitrate / kbit/s | | | | | | | | | | | | | | | | |
|--------------------|------------------|---|---|----|----|----|----|----|----|----|----|----|----|----|-----|-----|-----|
| | 5 | 6 | 8 | 10 | 12 | 16 | 20 | 22 | 32 | 40 | 48 | 64 | 80 | 96 | 128 | 160 | 192 |
| 8000 | + | + | + | | + | | | | | | | | | | | | |
| 11025 | | | + | + | | | | | | | | | | | | | |
| 16000 | | | | + | + | + | + | | | | | | | | | | |
| 22050 | | | | | | + | + | + | + | | | | | | | | |
| 32000 | | | | | | | + | | + | + | + | | | | | | |
| 44100 | | | | | | | | | + | | + | + | + | + | + | + | + |
| 48000 | | | | | | | | | | | | | | | + | + | |

WMA 8:

| Samplerate / Hz | Bitrate / kbit/s | | | | | | | | | | | | | | | | |
|--------------------|------------------|---|---|----|----|----|----|----|----|----|----|----|----|----|-----|-----|-----|
| | 5 | 6 | 8 | 10 | 12 | 16 | 20 | 22 | 32 | 40 | 48 | 64 | 80 | 96 | 128 | 160 | 192 |
| 8000 | + | + | + | | + | | | | | | | | | | | | |
| 11025 | | | + | + | | | | | | | | | | | | | |
| 16000 | | | | + | + | + | + | | | | | | | | | | |
| 22050 | | | | | | + | + | + | + | | | | | | | | |
| 32000 | | | | | | | + | | + | + | + | | | | | | |
| 44100 | | | | | | | | | + | | + | + | + | + | + | + | + |
| 48000 | | | | | | | | | | | | | | | + | + | + |

WMA 9:

| Samplerate / Hz | Bitrate / kbit/s | | | | | | | | | | | | | | | | | | |
|--------------------|------------------|---|---|----|----|----|----|----|----|----|----|----|----|----|-----|-----|-----|-----|-----|
| | 5 | 6 | 8 | 10 | 12 | 16 | 20 | 22 | 32 | 40 | 48 | 64 | 80 | 96 | 128 | 160 | 192 | 256 | 320 |
| 8000 | + | + | + | | + | | | | | | | | | | | | | | |
| 11025 | | | + | + | | | | | | | | | | | | | | | |
| 16000 | | | | + | + | + | + | | | | | | | | | | | | |
| 22050 | | | | | | + | + | + | + | | | | | | | | | | |
| 32000 | | | | | | | + | | + | + | + | | | | | | | | |
| 44100 | | | | | | | + | | + | | + | + | + | + | + | + | + | + | + |
| 48000 | | | | | | | | | | | | + | | + | + | + | + | | |

In addition to these expected WMA decoding profiles, all other bitrate and samplerate combinations are supported, including variable bitrate WMA streams. Note that WMA does not consume the bitstream as evenly as MP3, so you need a higher peak transfer capability for clean playback at the same bitrate.

8.2.3 Supported RIFF WAV Formats

The most common RIFF WAV subformats are supported.

| Format | Name | Supported | Comments |
|--------|-------------------|-----------|---|
| 0x01 | PCM | + | 16 and 8 bits, any sample rate \leq 48kHz |
| 0x02 | ADPCM | - | |
| 0x03 | IEEE_FLOAT | - | |
| 0x06 | ALAW | - | |
| 0x07 | MULAW | - | |
| 0x10 | OKI_ADPCM | - | |
| 0x11 | IMA_ADPCM | + | Any sample rate \leq 48kHz |
| 0x15 | DIGISTD | - | |
| 0x16 | DIGIFIX | - | |
| 0x30 | DOLBY_AC2 | - | |
| 0x31 | GSM610 | - | |
| 0x3b | ROCKWELL_ADPCM | - | |
| 0x3c | ROCKWELL_DIGITALK | - | |
| 0x40 | G721_ADPCM | - | |
| 0x41 | G728_CELP | - | |
| 0x50 | MPEG | - | |
| 0x55 | MPEGLAYER3 | + | For supported MP3 modes, see Chapter 8.2.1 |
| 0x64 | G726_ADPCM | - | |
| 0x65 | G722_ADPCM | - | |

8.2.4 Supported MIDI Formats

General MIDI and SP-MIDI format 0 files are played. Format 1 and 2 files must be converted to format 0 by the user. The maximum simultaneous polyphony is 40. Actual polyphony depends on the internal clock rate (which is user-selectable), the instruments used, and the possible postprocessing effects enabled, such as bass and treble enhancers. The polyphony restriction algorithm makes use of the SP-MIDI MIP table, if present.

36.86 MHz ($3.0 \times$ input clock) achieves 16-26 simultaneous sustained notes. The instantaneous amount of notes can be larger. 36 MHz is a fair compromise between power consumption and quality, but higher clocks can be used to increase polyphony.

VS1003b implements 36 distinct instruments. Each melodic, effect, and percussion instrument is mapped into one of these instruments.

| VS1003b | | |
|-------------------|-------------------|----------------|
| Melodic | Effect | Percussion |
| piano | reverse cymbal | bass drum |
| vibraphone | guitar fret noise | snare |
| organ | breath | closed hihat |
| guitar | seashore | open hihat |
| distortion guitar | bird tweet | high tom |
| bass | telephone | low tom |
| violin | helicopter | crash cymbal 2 |
| strings | applause | ride cymbal |
| trumpet | gunshot | tambourine |
| sax | | high conga |
| flute | | low conga |
| lead | | maracas |
| pad | | claves |
| steeldrum | | |

8.3 Data Flow of VS1003

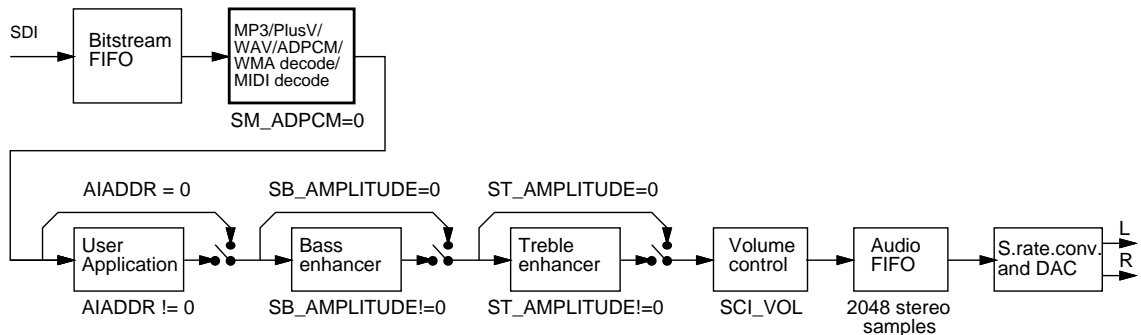


Figure 12: Data Flow of VS1003.

First, depending on the audio data, and provided ADPCM encoding mode is not set, MP3, WMA, PCM WAV, IMA ADPCM WAV, or MIDI data is received and decoded from the SDI bus.

After decoding, if `SCI.AIADDR` is non-zero, application code is executed from the address pointed to by that register. For more details, see Application Notes for VS10XX.

Then data may be sent to the Bass and Treble Enhancer depending on the `SCI.BASS` register.

After that the signal is fed to the volume control unit, which also copies the data to the Audio FIFO.

The Audio FIFO holds the data, which is read by the Audio interrupt (Chapter 10.13.1) and fed to the sample rate converter and DACs. The size of the audio FIFO is 2048 stereo (2×16 -bit) samples, or 8 KiB.

The sample rate converter converts all different sample rates to $XTALI/2$, or 128 times the highest usable sample rate. This removes the need for complex PLL-based clocking schemes and allows almost unlimited sample rate accuracy with one fixed input clock frequency. With a 12.288 MHz clock, the DA converter operates at 128×48 kHz, i.e. 6.144 MHz, and creates a stereo in-phase analog signal. The oversampled output is low-pass filtered by an on-chip analog filter. This signal is then forwarded to the earphone amplifier.

8.4 Serial Data Interface (SDI)

The serial data interface is meant for transferring compressed MP3 or WMA data, WAV PCM and ADPCM data as well as MIDI data.

If the input of the decoder is invalid or it is not received fast enough, analog outputs are automatically muted.

Also several different tests may be activated through SDI as described in Chapter 9.

8.5 Serial Control Interface (SCI)

The serial control interface is compatible with the SPI bus specification. Data transfers are always 16 bits. VS1003 is controlled by writing and reading the registers of the interface.

The main controls of the control interface are:

- control of the operation mode, clock, and builtin effects
- access to status information and header data
- access to encoded digital data
- uploading user programs

8.6 SCI Registers

| SCI registers, prefix SCI | | | | | |
|---------------------------|------|-------------------|--------------------------|--------------|---------------------------------|
| Reg | Type | Reset | Time ¹ | Abbrev[bits] | Description |
| 0x0 | rw | 0x800 | 70 CLKI ⁴ | MODE | Mode control |
| 0x1 | rw | 0x3C ³ | 40 CLKI | STATUS | Status of VS1003 |
| 0x2 | rw | 0 | 2100 CLKI | BASS | Built-in bass/treble enhancer |
| 0x3 | rw | 0 | 11000 XTALI ⁵ | CLOCKF | Clock freq + multiplier |
| 0x4 | rw | 0 | 40 CLKI | DECODE_TIME | Decode time in seconds |
| 0x5 | rw | 0 | 3200 CLKI | AUDATA | Misc. audio data |
| 0x6 | rw | 0 | 80 CLKI | WRAM | RAM write/read |
| 0x7 | rw | 0 | 80 CLKI | WRAMADDR | Base address for RAM write/read |
| 0x8 | r | 0 | - | HDATA0 | Stream header data 0 |
| 0x9 | r | 0 | - | HDATA1 | Stream header data 1 |
| 0xA | rw | 0 | 3200 CLKI ² | AIADDR | Start address of application |
| 0xB | rw | 0 | 2100 CLKI | VOL | Volume control |
| 0xC | rw | 0 | 50 CLKI ² | AICTRL0 | Application control register 0 |
| 0xD | rw | 0 | 50 CLKI ² | AICTRL1 | Application control register 1 |
| 0xE | rw | 0 | 50 CLKI ² | AICTRL2 | Application control register 2 |
| 0xF | rw | 0 | 50 CLKI ² | AICTRL3 | Application control register 3 |

¹ This is the worst-case time that DREQ stays low after writing to this register. The user may choose to skip the DREQ check for those register writes that take less than 100 clock cycles to execute.

² In addition, the cycles spent in the user application routine must be counted.

³ Firmware changes the value of this register immediately to 0x38, and in less than 100 ms to 0x30.

⁴ When mode register write specifies a software reset the worst-case time is 16600 XTALI cycles.

⁵ Writing to this register may force internal clock to run at $1.0 \times XTALI$ for a while. Thus it is not a good idea to send SCI or SDI bits while this register update is in progress.

Note that if DREQ is low when an SCI write is done, DREQ also stays low after SCI write processing.

8.6.1 SCI.MODE (RW)

SCI.MODE is used to control the operation of VS1003 and defaults to 0x0800 (SM_SDINEW set).

| Bit | Name | Function | Value | Description |
|-----|---------------|-------------------------------|-------|-----------------------|
| 0 | SM_DIFF | Differential | 0 | normal in-phase audio |
| | | | 1 | left channel inverted |
| 1 | SM_SETTOZERO | Set to zero | 0 | right |
| | | | 1 | wrong |
| 2 | SM_RESET | Soft reset | 0 | no reset |
| | | | 1 | reset |
| 3 | SM_OUTOFWAV | Jump out of WAV decoding | 0 | no |
| | | | 1 | yes |
| 4 | SM_PDOWN | Powerdown | 0 | power on |
| | | | 1 | powerdown |
| 5 | SM_TESTS | Allow SDI tests | 0 | not allowed |
| | | | 1 | allowed |
| 6 | SM_STREAM | Stream mode | 0 | no |
| | | | 1 | yes |
| 7 | SM_SETTOZERO2 | Set to zero | 0 | right |
| | | | 1 | wrong |
| 8 | SM_DACT | DCLK active edge | 0 | rising |
| | | | 1 | falling |
| 9 | SM_SDIORD | SDI bit order | 0 | MSb first |
| | | | 1 | MSb last |
| 10 | SM_SDISHARE | Share SPI chip select | 0 | no |
| | | | 1 | yes |
| 11 | SM_SDINEW | VS1002 native SPI modes | 0 | no |
| | | | 1 | yes |
| 12 | SM_ADPCM | ADPCM recording active | 0 | no |
| | | | 1 | yes |
| 13 | SM_ADPCM_HP | ADPCM high-pass filter active | 0 | no |
| | | | 1 | yes |
| 14 | SM_LINE_IN | ADPCM recording selector | 0 | microphone |
| | | | 1 | line in |

When SM_DIFF is set, the player inverts the left channel output. For a stereo input this creates virtual surround, and for a mono input this creates a differential left/right signal.

Software reset is initiated by setting SM_RESET to 1. This bit is cleared automatically.

If you want to stop decoding a WAV, WMA, or MIDI file in the middle, set SM_OUTOFWAV, and send data honouring DREQ until SM_OUTOFWAV is cleared. SCLHDAT1 will also be cleared. For WMA and MIDI it is safest to continue sending the stream, send zeroes for WAV.

Bit SM_PDOWN sets VS1003 into software powerdown mode. Note that software powerdown is not nearly as power efficient as hardware powerdown activated with the XRESET pin.

If SM_TESTS is set, SDI tests are allowed. For more details on SDI tests, look at Chapter 9.8.

SM_STREAM activates VS1003's stream mode. In this mode, data should be sent with as even intervals as possible (and preferable with data blocks of less than 512 bytes), and VS1003 makes every attempt to keep its input buffer half full by changing its playback speed up to 5%. For best quality sound, the average speed error should be within 0.5%, the bitrate should not exceed 160 kbit/s and VBR should not be used. For details, see Application Notes for VS10XX. This mode does not work with WMA files.

SM_DACT defines the active edge of data clock for SDI. When '0', data is read at the rising edge, when '1', data is read at the falling edge.

When SM_SDIORD is clear, bytes on SDI are sent as a default MSb first. By setting SM_SDIORD, the user may reverse the bit order for SDI, i.e. bit 0 is received first and bit 7 last. Bytes are, however, still sent in the default order. This register bit has no effect on the SCI bus.

Setting SM_SDISHARE makes SCI and SDI share the same chip select, as explained in Chapter 7.2, if also SM_SDINEW is set.

Setting SM_SDINEW will activate VS1002 native serial modes as described in Chapters 7.2.1 and 7.4.2. Note, that this bit is set as a default when VS1003 is started up.

By activating SM_ADPCM and SM_RESET at the same time, the user will activate IMA ADPCM recording mode. More information is available in the Application Notes for VS10XX.

If SM_ADPCM_HP is set at the same time as SM_ADPCM and SM_RESET, ADPCM mode will start with a high-pass filter. This may help intelligibility of speech when there is lots of background noise. The difference created to the ADPCM encoder frequency response is as shown in Figure 13.

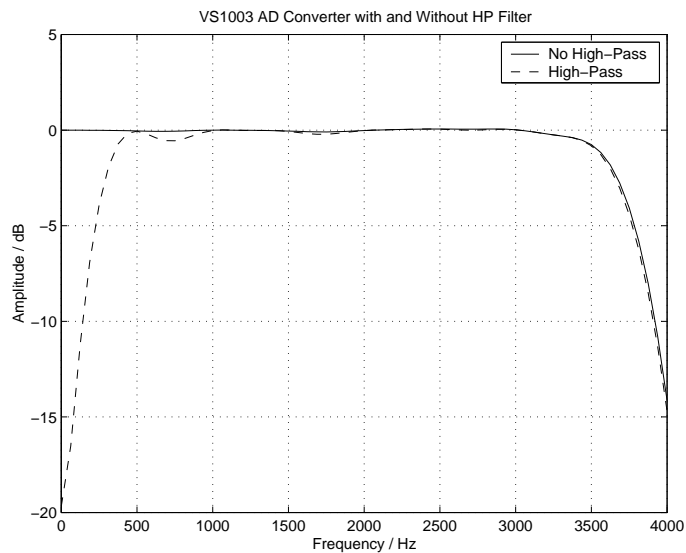


Figure 13: ADPCM Frequency Responses with 8kHz sample rate.

SM_LINE_IN is used to select the input for ADPCM recording. If '0', microphone input pins MICP and MICN are used; if '1', LINEIN is used.

8.6.2 SCI.STATUS (RW)

SCI.STATUS contains information on the current status of VS1003 and lets the user shutdown the chip without audio glitches.

| Name | Bits | Description |
|------------|------|---------------------------|
| SS_VER | 6:4 | Version |
| SS_APDOWN2 | 3 | Analog driver powerdown |
| SS_APDOWN1 | 2 | Analog internal powerdown |
| SS_AVOL | 1:0 | Analog volume control |

SS_VER is 0 for VS1001, 1 for VS1011, 2 for VS1002 and 3 for VS1003.

SS_APDOWN2 controls analog driver powerdown. Normally this bit is controlled by the system firmware. However, if the user wants to powerdown VS1003 with a minimum power-off transient, turn this bit to 1, then wait for at least a few milliseconds before activating reset.

SS_APDOWN1 controls internal analog powerdown. This bit is meant to be used by the system firmware only.

SS_AVOL is the analog volume control: 0 = -0 dB, 1 = -6 dB, 3 = -12 dB. This register is meant to be used automatically by the system firmware only.

8.6.3 SCI.BASS (RW)

| Name | Bits | Description |
|--------------|-------|---|
| ST_AMPLITUDE | 15:12 | Treble Control in 1.5 dB steps (-8..7, 0 = off) |
| ST_FREQLIMIT | 11:8 | Lower limit frequency in 1000 Hz steps (0..15) |
| SB_AMPLITUDE | 7:4 | Bass Enhancement in 1 dB steps (0..15, 0 = off) |
| SB_FREQLIMIT | 3:0 | Lower limit frequency in 10 Hz steps (2..15) |

The Bass Enhancer VSBE is a powerful bass boosting DSP algorithm, which tries to take the most out of the users earphones without causing clipping.

VSBE is activated when SB_AMPLITUDE is non-zero. SB_AMPLITUDE should be set to the user's preferences, and SB_FREQLIMIT to roughly 1.5 times the lowest frequency the user's audio system can reproduce. For example setting SCI.BASS to 0x00f6 will have 15 dB enhancement below 60 Hz.

Note: Because VSBE tries to avoid clipping, it gives the best bass boost with dynamical music material, or when the playback volume is not set to maximum. It also does not create bass: the source material must have some bass to begin with.

Treble Control VSTC is activated when ST_AMPLITUDE is non-zero. For example setting SCI.BASS to 0x7a00 will have 10.5 dB treble enhancement at and above 10 kHz.

Bass Enhancer uses about 3.0 MIPS and Treble Control 1.2 MIPS at 44100 Hz sample rate. Both can be on simultaneously.

8.6.4 SCI_CLOCKF (RW)

The operation of SCI_CLOCKF is different in VS1003 than in VS10x1 and VS1002.

| SCI_CLOCKF bits | | |
|-----------------|-------|-----------------------------|
| Name | Bits | Description |
| SC_MULT | 15:13 | Clock multiplier |
| SC_ADD | 12:11 | Allowed multiplier addition |
| SC_FREQ | 10: 0 | Clock frequency |

SC_MULT activates the built-in clock multiplier. This will multiply XTALI to create a higher CLKI. The values are as follows:

| SC_MULT | MASK | CLKI |
|---------|--------|-----------|
| 0 | 0x0000 | XTALI |
| 1 | 0x2000 | XTALI×1.5 |
| 2 | 0x4000 | XTALI×2.0 |
| 3 | 0x6000 | XTALI×2.5 |
| 4 | 0x8000 | XTALI×3.0 |
| 5 | 0xa000 | XTALI×3.5 |
| 6 | 0xc000 | XTALI×4.0 |
| 7 | 0xe000 | XTALI×4.5 |

SC_ADD tells, how much the decoder firmware is allowed to add to the multiplier specified by SC_MULT if more cycles are temporarily needed to decode a WMA stream. The values are:

| SC_ADD | MASK | Multiplier addition |
|--------|--------|----------------------------|
| 0 | 0x0000 | No modification is allowed |
| 1 | 0x0800 | 0.5× |
| 2 | 0x1000 | 1.0× |
| 3 | 0x1800 | 1.5× |

SC_FREQ is used to tell if the input clock XTALI is running at something else than 12.288 MHz. XTALI is set in 4 kHz steps. The formula for calculating the correct value for this register is $\frac{XTALI-8000000}{4000}$ (XTALI is in Hz).

Note: The default value 0 is assumed to mean XTALI=12.288 MHz.

Note: because maximum sample rate is $\frac{XTALI}{256}$, all sample rates are not available if XTALI < 12.288 MHz.

Note: Automatic clock change can only happen when decoding WMA files. Automatic clock change is done one 0.5× at a time. This does not cause a drop to 1.0× clock and you can use the same SCI and SDI clock throughout the WMA file. When decoding ends the default multiplier is restored and can cause 1.0× clock to be used momentarily.

Example: If SCI_CLOCKF is 0x9BE8, SC_MULT = 4, SC_ADD = 3 and SC_FREQ = 0x3E8 = 1000. This means that XTALI = 1000×4000+8000000 = 12 MHz. The clock multiplier is set to 3.0×XTALI = 36 MHz, and the maximum allowed multiplier that the firmware may automatically choose to use is (3.0 + 1.5)×XTALI = 54 MHz.

8.6.5 SCI_DECODE_TIME (RW)

When decoding correct data, current decoded time is shown in this register in full seconds.

The user may change the value of this register. In that case the new value should be written twice.

SCI_DECODE_TIME is reset at every software reset and also when WAV (PCM or IMA ADPCM), WMA, or MIDI decoding starts or ends.

8.6.6 SCI_AUDATA (RW)

When decoding correct data, the current sample rate and number of channels can be found in bits 15:1 and 0 of SCI_AUDATA, respectively. Bits 15:1 contain the sample rate divided by two, and bit 0 is 0 for mono data and 1 for stereo. Writing to SCI_AUDATA will change the sample rate directly.

Note: due to a bug, an odd sample rate reverses the operation of the stereo bit in VS1003b.

Example: 44100 Hz stereo data reads as 0xAC45 (44101).

Example: 11025 Hz mono data reads as 0x2B10 (11025).

Example: 11025 Hz stereo data reads as 0x2B11 (11026).

Example: Writing 0xAC80 sets sample rate to 44160 Hz, stereo mode does not change.

8.6.7 SCI_WRAM (RW)

SCI_WRAM is used to upload application programs and data to instruction and data RAMs. The start address must be initialized by writing to SCI_WRAMADDR prior to the first write/read of SCI_WRAM. As 16 bits of data can be transferred with one SCI_WRAM write/read, and the instruction word is 32 bits long, two consecutive writes/reads are needed for each instruction word. The byte order is big-endian (i.e. most significant words first). After each full-word write/read, the internal pointer is autoincremented.

8.6.8 SCI_WRAMADDR (W)

SCI_WRAMADDR is used to set the program address for following SCI_WRAM writes/reads. Address offset of 0 is used for X, 0x4000 for Y, and 0x8000 for instruction memory. Peripheral registers can also be accessed.

| SM_WRAMADDR Start... End | Dest. addr. Start... End | Bits/ Word | Description |
|-----------------------------|-----------------------------|---------------|-----------------|
| 0x1800...0x187F | 0x1800...0x187F | 16 | X data RAM |
| 0x5800...0x587F | 0x1800...0x187F | 16 | Y data RAM |
| 0x8030...0x84FF | 0x0030...0x04FF | 32 | Instruction RAM |
| 0xC000...0xFFFF | 0xC000...0xFFFF | 16 | I/O |

Only user areas in X, Y, and instruction memory are listed above. Other areas can be accessed, but should not be written to unless otherwise specified.

8.6.9 SCI_HDAT0 and SCI_HDAT1 (R)

For WAV files, SCI_HDAT0 and SCI_HDAT1 read as 0x7761, and 0x7665, respectively.

For WMA files, SCI_HDAT1 contains 0x574D and SCI_HDAT0 contains the data speed measured in bytes per second. To get the bit-rate of the file, multiply the value of SCI_HDAT0 by 8.

for MIDI files, SCI_HDAT1 contains 0x4D54 and SCI_HDAT0 contains values according to the following table:

| HDAT0[15:8] | HDAT0[7:0] | Value | Explanation |
|-------------|-----------------|-------|-------------------|
| 0 | polyphony | | current polyphony |
| 1..255 | <i>reserved</i> | | |

For MP3 files, SCI_HDAT[0...1] have the following content:

| Bit | Function | Value | Explanation |
|--------------|-------------|-------|--------------------------------|
| HDAT1[15:5] | syncword | 2047 | stream valid |
| HDAT1[4:3] | ID | 3 | ISO 11172-3 MPG 1.0 |
| | | 2 | ISO 13818-3 MPG 2.0 (1/2-rate) |
| | | 1 | MPG 2.5 (1/4-rate) |
| | | 0 | MPG 2.5 (1/4-rate) |
| HDAT1[2:1] | layer | 3 | I |
| | | 2 | II |
| | | 1 | III |
| | | 0 | reserved |
| HDAT1[0] | protect bit | 1 | No CRC |
| | | 0 | CRC protected |
| HDAT0[15:12] | bitrate | | ISO 11172-3 |
| HDAT0[11:10] | sample rate | 3 | reserved |
| | | 2 | 32/16/ 8 kHz |
| | | 1 | 48/24/12 kHz |
| | | 0 | 44/22/11 kHz |
| HDAT0[9] | pad bit | 1 | additional slot |
| | | 0 | normal frame |
| HDAT0[8] | private bit | | not defined |
| HDAT0[7:6] | mode | 3 | mono |
| | | 2 | dual channel |
| | | 1 | joint stereo |
| | | 0 | stereo |
| HDAT0[5:4] | extension | | ISO 11172-3 |
| HDAT0[3] | copyright | 1 | copyrighted |
| | | 0 | free |
| HDAT0[2] | original | 1 | original |
| | | 0 | copy |
| HDAT0[1:0] | emphasis | 3 | CCITT J.17 |
| | | 2 | reserved |
| | | 1 | 50/15 microsec |
| | | 0 | none |

When read, SCI_HDAT0 and SCI_HDAT1 contain header information that is extracted from MP3 stream

currently being decoded. After reset both registers are cleared, indicating no data has been found yet.

The “sample rate” field in SCI_HDAT0 is interpreted according to the following table:

| “sample rate” | ID=3 / Hz | ID=2 / Hz | ID=0,1 / Hz |
|---------------|-----------|-----------|-------------|
| 3 | - | - | - |
| 2 | 32000 | 16000 | 8000 |
| 1 | 48000 | 24000 | 12000 |
| 0 | 44100 | 22050 | 11025 |

The “bitrate” field in HDAT0 is read according to the following table:

| “bitrate” | ID=3 / kbit/s | ID=0,1,2 / kbit/s |
|-----------|---------------|-------------------|
| 15 | forbidden | forbidden |
| 14 | 320 | 160 |
| 13 | 256 | 144 |
| 12 | 224 | 128 |
| 11 | 192 | 112 |
| 10 | 160 | 96 |
| 9 | 128 | 80 |
| 8 | 112 | 64 |
| 7 | 96 | 56 |
| 6 | 80 | 48 |
| 5 | 64 | 40 |
| 4 | 56 | 32 |
| 3 | 48 | 24 |
| 2 | 40 | 16 |
| 1 | 32 | 8 |
| 0 | - | - |

8.6.10 SCIAIADDR (RW)

SCIAIADDR indicates the start address of the application code written earlier with SCI_WRAMADDR and SCI_WRAM registers. If no application code is used, this register should not be initialized, or it should be initialized to zero. For more details, see Application Notes for VS10XX.

8.6.11 SCI_VOL (RW)

SCI_VOL is a volume control for the player hardware. For each channel, a value in the range of 0..254 may be defined to set its attenuation from the maximum volume level (in 0.5 dB steps). The left channel value is then multiplied by 256 and the values are added. Thus, maximum volume is 0 and total silence is 0xFEFE.

Example: for a volume of -2.0 dB for the left channel and -3.5 dB for the right channel: $(4*256) + 7 = 0x407$. Note, that at startup volume is set to full volume. Resetting the software does not reset the volume setting.

Note: Setting SCI_VOL to 0xFFFF will activate analog powerdown mode.

8.6.12 SCIAICTRL[x] (RW)

SCIAICTRL[x] registers ($x=[0 .. 3]$) can be used to access the user's application program.

9 Operation

9.1 Clocking

VS1003 operates on a single, nominally 12.288 MHz fundamental frequency master clock. This clock can be generated by external circuitry (connected to pin XTALI) or by the internal clock chrystal interface (pins XTALI and XTALO).

9.2 Hardware Reset

When the XRESET -signal is driven low, VS1003 is reset and all the control registers and internal states are set to the initial values. XRESET-signal is asynchronous to any external clock. The reset mode doubles as a full-powerdown mode, where both digital and analog parts of VS1003 are in minimum power consumption stage, and where clocks are stopped. Also XTALO is grounded.

After a hardware reset (or at power-up) DREQ will stay down for at least 16600 clock cycles, which means an approximate 1.35 ms delay if VS1003 is run at 12.288 MHz. After this the user should set such basic software registers as SCLMODE, SCLBASS, SCLCLOCKF, and SCLVOL before starting decoding. See section 8.6 for details.

Internal clock can be multiplied with a PLL. Supported multipliers through the SCLCLOCKF register are $1.0 \times \dots 4.5 \times$ the input clock. Reset value for Internal Clock Multiplier is $1.0 \times$. If typical values are wanted, the Internal Clock Multiplier needs to be set to $3.0 \times$ after reset. Wait until DREQ rises, then write value 0x9800 to SCLCLOCKF (register 3). See section 8.6.4 for details.

9.3 Software Reset

In some cases the decoder software has to be reset. This is done by activating bit 2 in SCLMODE register (Chapter 8.6.1). Then wait for at least $2 \mu s$, then look at DREQ. DREQ will stay down for at least 16600 clock cycles, which means an approximate 1.35 ms delay if VS1003 is run at 12.288 MHz. After DREQ is up, you may continue playback as usual.

If you want to make sure VS1003 doesn't cut the ending of low-bitrate data streams and you want to do a software reset, it is recommended to feed 2048 zeros (honoring DREQ) to the SDI bus after the file and before the reset. This is especially important for MIDI files, although you can also use SCLHDAT1 polling.

If you want to interrupt the playing of a WAV, WMA, or MIDI file in the middle, set SM.OUTOFWAV in the mode register, and wait until SCLHDAT1 is cleared (with a two-second timeout) before continuing with a software reset. MP3 does not currently implement the SM.OUTOFWAV because it is a stream format, thus the timeout requirement.

9.4 ADPCM Recording

This chapter explains how to create RIFF/WAV file with IMA ADPCM format. This is a widely supported ADPCM format and many PC audio playback programs can play it. IMA ADPCM recording gives roughly a compression ratio of 4:1 compared to linear, 16-bit audio. This makes it possible to record 8 kHz audio at 32.44 kbit/s.

9.4.1 Activating ADPCM mode

IMA ADPCM recording mode is activated by setting bits SM_RESET and SM_ADPCM in SCI_MODE. Optionally a high-pass-filter can be enabled for 8 kHz sample rate by also setting SM_ADPCM_HP at the same time. Line input is used instead of mic if SM_LINE_IN is set. Before activating ADPCM recording, user **must** write a clock divider value to SCI_AICTRL0 and gain to SCI_AICTRL1.

The differences of using SM_ADPCM_HP are presented in figure 13 (page 30). As a general rule, audio will be fuller and closer to original if SM_ADPCM_HP is not used. However, speech may be more intelligible with the high-pass filter active. Use the filter only with 8 kHz sample rate.

Before activating ADPCM recording, user should write a clock divider value to SCI_AICTRL0. The sampling frequency is calculated from the following formula: $f_s = \frac{F_c}{256 \times d}$, where F_c is the internal clock (CLKI) and d is the divider value in SCI_AICTRL0. The lowest valid value for d is 4. If SCI_AICTRL0 contains 0, the default divider value 12 is used.

Examples:

$$F_c = 2.0 \times 12.288 \text{ MHz}, d = 12. \text{ Now } f_s = \frac{2.0 \times 12288000}{256 \times 12} = 8000 \text{ Hz.}$$

$$F_c = 2.5 \times 14.745 \text{ MHz}, d = 18. \text{ Now } f_s = \frac{2.5 \times 14745000}{256 \times 18} = 8000 \text{ Hz.}$$

$$F_c = 2.5 \times 13 \text{ MHz}, d = 16. \text{ Now } f_s = \frac{2.5 \times 13000000}{256 \times 16} = 7935 \text{ Hz.}$$

Also, before activating ADPCM mode, the user has to set linear recording gain control to register SCI_AICTRL1. 1024 is equal to digital gain 1, 512 is equal to digital gain 0.5 and so on. If the user wants to use automatic gain control (AGC), SCI_AICTRL1 should be set to 0. Typical speech applications usually are better off using AGC, as this takes care of relatively uniform speech loudness in recordings.

Since VS1033c SCI_AICTRL2 controls the maximum AGC gain. If SCI_AICTRL2 is zero, the maximum gain is 65535 (64×), i.e. whole range is used. This is compatible with previous operation.

9.4.2 Reading IMA ADPCM Data

After IMA ADPCM recording has been activated, registers SCI_HDAT0 and SCI_HDAT1 have new functions.

The IMA ADPCM sample buffer is 1024 16-bit words. The fill status of the buffer can be read from SCI_HDAT1. If SCI_HDAT1 is greater than 0, you can read as many 16-bit words from SCI_HDAT0. If the data is not read fast enough, the buffer overflows and returns to empty state.

Note: if $\text{SCI_HDAT1} \geq 896$, it may be better to wait for the buffer to overflow and clear before reading samples. That way you may avoid buffer aliasing.

Each IMA ADPCM block is 128 words, i.e. 256 bytes. If you wish to interrupt reading data and possibly continue later, please stop at a 128-word boundary. This way whole blocks are skipped and the encoded stream stays valid.

9.4.3 Adding a RIFF Header

To make your IMA ADPCM file a RIFF / WAV file, you have to add a header before the actual data. Note that 2- and 4-byte values are little-endian (lowest byte first) in this format:

| File Offset | Field Name | Size | Bytes | Description |
|-------------|---------------|------|------------------|--------------------------|
| 0 | ChunkID | 4 | "RIFF" | |
| 4 | ChunkSize | 4 | F0 F1 F2 F3 | File size - 8 |
| 8 | Format | 4 | "WAVE" | |
| 12 | SubChunk1ID | 4 | "fmt " | |
| 16 | SubChunk1Size | 4 | 0x14 0x0 0x0 0x0 | 20 |
| 20 | AudioFormat | 2 | 0x11 0x0 | 0x11 for IMA ADPCM |
| 22 | NumOfChannels | 2 | 0x1 0x0 | Mono sound |
| 24 | SampleRate | 4 | R0 R1 R2 R3 | 0x1f40 for 8 kHz |
| 28 | ByteRate | 4 | B0 B1 B2 B3 | 0xfd7 for 8 kHz |
| 32 | BlockAlign | 2 | 0x0 0x1 | 0x100 |
| 34 | BitsPerSample | 2 | 0x4 0x0 | 4-bit ADPCM |
| 36 | ByteExtraData | 2 | 0x2 0x0 | 2 |
| 38 | ExtraData | 2 | 0xf9 0x1 | Samples per block (505) |
| 40 | SubChunk2ID | 4 | "fact" | |
| 44 | SubChunk2Size | 4 | 0x4 0x0 0x0 0x0 | 4 |
| 48 | NumOfSamples | 4 | S0 S1 S2 S3 | |
| 52 | SubChunk3ID | 4 | "data" | |
| 56 | SubChunk3Size | 4 | D0 D1 D2 D3 | Data size (File Size-60) |
| 60 | Block1 | 256 | | First ADPCM block |
| 316 | ... | | | More ADPCM data blocks |

If we have n audio blocks, the values in the table are as follows:

$$F = n \times 256 + 52$$

$$R = F_s \text{ (see Chapter 9.4.1 to see how to calculate } F_s \text{)}$$

$$B = \frac{F_s \times 256}{505}$$

$$S = n \times 505. D = n \times 256$$

If you know beforehand how much you are going to record, you may fill in the complete header before any actual data. However, if you don't know how much you are going to record, you have to fill in the header size datas F , S and D after finishing recording.

The 128 words (256 bytes) of an ADPCM block are read from SCI_HDAT0 and written into file as follows. The high 8 bits of SCI_HDAT0 should be written as the first byte to a file, then the low 8 bits. Note that this is contrary to the default operation of some 16-bit microcontrollers, and you may have to take extra care to do this right.

A way to see if you have written the file in the right way is to check bytes 2 and 3 (the first byte counts as byte 0) of each 256-byte block. Byte 3 should always be zero.

9.4.4 Playing ADPCM Data

In order to play back your IMA ADPCM recordings, you have to have a file with a header as described in Chapter 9.4.3. If this is the case, all you need to do is to provide the ADPCM file through SDI as you would with any audio file.

9.4.5 Sample Rate Considerations

VS10xx chips that support IMA ADPCM playback are capable of playing back ADPCM files with any sample rate. However, some other programs may expect IMA ADPCM files to have some exact sample rates, like 8000 or 11025 Hz. Also, some programs or systems do not support sample rates below 8000 Hz.

However, if you don't have an appropriate clock, you may not be able to get an exact 8 kHz sample rate. If you have a 12 MHz clock, the closest sample rate you can get with $2.0 \times 12 \text{ MHz}$ and $d = 12$ is $f_s = 7812.5 \text{ Hz}$. Because the frequency error is only 2.4%, it may be best to set $f_s = 8000 \text{ Hz}$ to the header if the same file is also to be played back with a PC. This causes the sample to be played back a little faster (one minute is played in 59 seconds).

Note, however, that unless absolutely necessary, sample rates should not be tweaked in the way described here.

If you want better quality with the expense of increased data rate, you can use higher sample rates, for example 16 kHz.

9.4.6 Example Code

The following code initializes IMA ADPCM encoding on VS1003b/VS1023 and shows how to read the data.

```
const unsigned char header[] = {
    0x52, 0x49, 0x46, 0x46, 0x1c, 0x10, 0x00, 0x00,
    0x57, 0x41, 0x56, 0x45, 0x66, 0x6d, 0x74, 0x20, /* |RIFF...WAVEfmt | */
    0x14, 0x00, 0x00, 0x00, 0x11, 0x00, 0x01, 0x00,
    0x40, 0x1f, 0x00, 0x00, 0x75, 0x12, 0x00, 0x00, /* |.....@..... | */
    0x00, 0x01, 0x04, 0x00, 0x02, 0x00, 0xf9, 0x01,
    0x66, 0x61, 0x63, 0x74, 0x04, 0x00, 0x00, 0x00, /* |.....fact.... | */
    0x5c, 0x1f, 0x00, 0x00, 0x64, 0x61, 0x74, 0x61,
    0xe8, 0x0f, 0x00, 0x00
};

unsigned char db[512]; /* data buffer for saving to disk */
```



```

void RecordAdpcm1003(void) { /* VS1003b/VS1023 */
    u_int16 w = 0, idx = 0;

    ... /* Check and locate free space on disk */

    SetMp3Vol(0x1414); /* Recording monitor volume */
    WriteMp3SpiReg(SCI_BASS, 0); /* Bass/treble disabled */

    WriteMp3SpiReg(SCI_CLOCKF, 0x4430); /* 2.0x 12.288MHz */
    Wait(100);
    WriteMp3SpiReg(SCI_AICTRL0, 12); /* Div -> 12=8kHz 8=12kHz 6=16kHz */
    Wait(100);
    WriteMp3SpiReg(SCI_AICTRL1, 0); /* Auto gain */
    Wait(100);
    if (line_in) {
        WriteMp3SpiReg(SCI_MODE, 0x5804); /* Normal SW reset + other bits */
    } else {
        WriteMp3SpiReg(SCI_MODE, 0x1804); /* Normal SW reset + other bits */
    }
    for (idx=0; idx < sizeof(header); idx++) { /* Save header first */
        db[idx] = header[idx];
    }
    /* Fix rate if needed */
    /*db[24] = rate;*/
    /*db[25] = rate>>8;*/

    /* Record loop */
    while (recording_on) {
        do {
            w = ReadMp3SpiReg(SCI_HDAT1);
        } while (w < 256 || w > 896);

        while (idx < 512) {
            w = ReadMp3SpiReg(SCI_HDAT0);
            /* Resynchronize if IMA sync is lost */
            while ((idx & 255) == sizeof(header)+2 && (w & 0xFF)) {
                do {
                    w = ReadMp3SpiReg(SCI_HDAT1);
                } while (w < 256);
                w = ReadMp3SpiReg(SCI_HDAT0);
            }
            db[idx++] = w>>8;
            db[idx++] = w&0xFF;
        }
        idx = 0;
        write_block(datasector++, db); /* Write output block to disk */
    }
    ... /* Fix WAV header information */
    ... /* Then update FAT information */
    ResetMP3(); /* Normal reset, restore default settings */
    SetMp3Vol(vol);
}

```

9.5 SPI Boot

If GPIO0 is set with a pull-up resistor to 1 at boot time, VS1003 tries to boot from external SPI memory.

SPI boot redefines the following pins:

| Normal Mode | SPI Boot Mode |
|-------------|---------------|
| GPIO0 | xCS |
| GPIO1 | CLK |
| DREQ | MOSI |
| GPIO2 | MISO |

The memory has to be an SPI Bus Serial EEPROM with 16-bit addresses (i.e. at least 1 KiB). The serial speed used by VS1003 is 245 kHz with the nominal 12.288 MHz clock. The first three bytes in the memory have to be 0x50, 0x26, 0x48. The exact record format is explained in the Application Notes for VS10XX.

9.6 Play/Decode

This is the normal operation mode of VS1003. SDI data is decoded. Decoded samples are converted to analog domain by the internal DAC. If no decodable data is found, SCLHDAT0 and SCLHDAT1 are set to 0 and analog outputs are muted.

When there is no input for decoding, VS1003 goes into idle mode (lower power consumption than during decoding) and actively monitors the serial data input for valid data.

All different formats can be played back-to-back without software reset in-between. Send at least 4 zeros after each stream. However, using software reset between streams may still be a good idea, as it guards against broken files. In this case you shouldnt wait for the completion of the decoding (SCLHDAT0 and SCLHDAT1 become zero) before issuing software reset.

9.7 Feeding PCM data

VS1003 can be used as a PCM decoder by sending to it a WAV file header. If the length sent in the WAV file is 0 or 0xFFFFFFFF, VS1003 will stay in PCM mode indefinitely (or until SM_OUTOFWAV has been set). 8-bit linear and 16-bit linear audio is supported in mono or stereo.

9.8 SDI Tests

There are several test modes in VS1003, which allow the user to perform memory tests, SCI bus tests, and several different sine wave tests.

All tests are started in a similar way: VS1003 is hardware reset, SM_TESTS is set, and then a test command is sent to the SDI bus. Each test is started by sending a 4-byte special command sequence, followed by 4 zeros. The sequences are described below.

9.8.1 Sine Test

Sine test is initialized with the 8-byte sequence 0x53 0xEF 0x6E *n* 0 0 0 0, where *n* defines the sine test to use. *n* is defined as follows:

| <i>n</i> bits | | |
|---------------|------|-------------------|
| Name | Bits | Description |
| F_sIdx | 7:5 | Sample rate index |
| <i>S</i> | 4:0 | Sine skip speed |

| F_sIdx | F_s |
|----------|----------|
| 0 | 44100 Hz |
| 1 | 48000 Hz |
| 2 | 32000 Hz |
| 3 | 22050 Hz |
| 4 | 24000 Hz |
| 5 | 16000 Hz |
| 6 | 11025 Hz |
| 7 | 12000 Hz |

The frequency of the sine to be output can now be calculated from $F = F_s \times \frac{S}{128}$.

Example: Sine test is activated with value 126, which is 0b01111110. Breaking *n* to its components, $F_sIdx = 0b011 = 3$ and thus $F_s = 22050Hz$. $S = 0b11110 = 30$, and thus the final sine frequency $F = 22050Hz \times \frac{30}{128} \approx 5168Hz$.

To exit the sine test, send the sequence 0x45 0x78 0x69 0x74 0 0 0 0.

Note: Sine test signals go through the digital volume control, so it is possible to test channels separately.

9.8.2 Pin Test

Pin test is activated with the 8-byte sequence 0x50 0xED 0x6E 0x54 0 0 0 0. This test is meant for chip production testing only.

9.8.3 Memory Test

Memory test mode is initialized with the 8-byte sequence 0x4D 0xEA 0x6D 0x54 0 0 0 0. After this sequence, wait for 500000 clock cycles. The result can be read from the SCI register SCI.HDAT0, and 'one' bits are interpreted as follows:

| Bit(s) | Mask | Meaning |
|--------|--------|--------------------|
| 15 | 0x8000 | Test finished |
| 14:7 | | Unused |
| 6 | 0x0040 | Mux test succeeded |
| 5 | 0x0020 | Good I RAM |
| 4 | 0x0010 | Good Y RAM |
| 3 | 0x0008 | Good X RAM |
| 2 | 0x0004 | Good I ROM |
| 1 | 0x0002 | Good Y ROM |
| 0 | 0x0001 | Good X ROM |
| | 0x807f | All ok |

Memory tests overwrite the current contents of the RAM memories.

9.8.4 SCI Test

Sci test is initialized with the 8-byte sequence 0x53 0x70 0xEE *n* 0 0 0 0, where *n* – 48 is the register number to test. The content of the given register is read and copied to SCI.HDAT0. If the register to be tested is HDAT0, the result is copied to SCI.HDAT1.

Example: if *n* is 48, contents of SCI register 0 (SCI.MODE) is copied to SCI.HDAT0.

10 VS1003 Registers

10.1 Who Needs to Read This Chapter

User software is required when a user wishes to add some own functionality like DSP effects to VS1003.

However, most users of VS1003 don't need to worry about writing their own code, or about this chapter, including those who only download software plug-ins from VLSI Solution's Web site.

10.2 The Processor Core

VS_DSP is a 16/32-bit DSP processor core that also had extensive all-purpose processor features. VLSI Solution's free VSKIT Software Package contains all the tools and documentation needed to write, simulate and debug Assembly Language or Extended ANSI C programs for the VS_DSP processor core. VLSI Solution also offers a full Integrated Development Environment VSIDE for full debug capabilities.

10.3 VS1003 Memory Map

VS1003's Memory Map is shown in Figure 14.

10.4 SCI Registers

SCI registers described in Chapter 8.6 can be found here between 0xC000..0xC00F. In addition to these registers, there is one in address 0xC010, called SCI_CHANGE.

| SCI registers, prefix SCI_ | | | | |
|----------------------------|------|-------|--------------|--------------------------|
| Reg | Type | Reset | Abbrev[bits] | Description |
| 0xC010 | r | 0 | CHANGE[5:0] | Last SCI access address. |

| SCI_CHANGE bits | | |
|-----------------|------|-------------------------------------|
| Name | Bits | Description |
| SCI.CH_WRITE | 4 | 1 if last access was a write cycle. |
| SCI.CH_ADDR | 3:0 | SPI address of last access. |

10.5 Serial Data Registers

| SDI registers, prefix SER_ | | | | |
|----------------------------|------|-------|--------------|------------------------------------|
| Reg | Type | Reset | Abbrev[bits] | Description |
| 0xC011 | r | 0 | DATA | Last received 2 bytes, big-endian. |
| 0xC012 | w | 0 | DREQ[0] | DREQ pin control. |

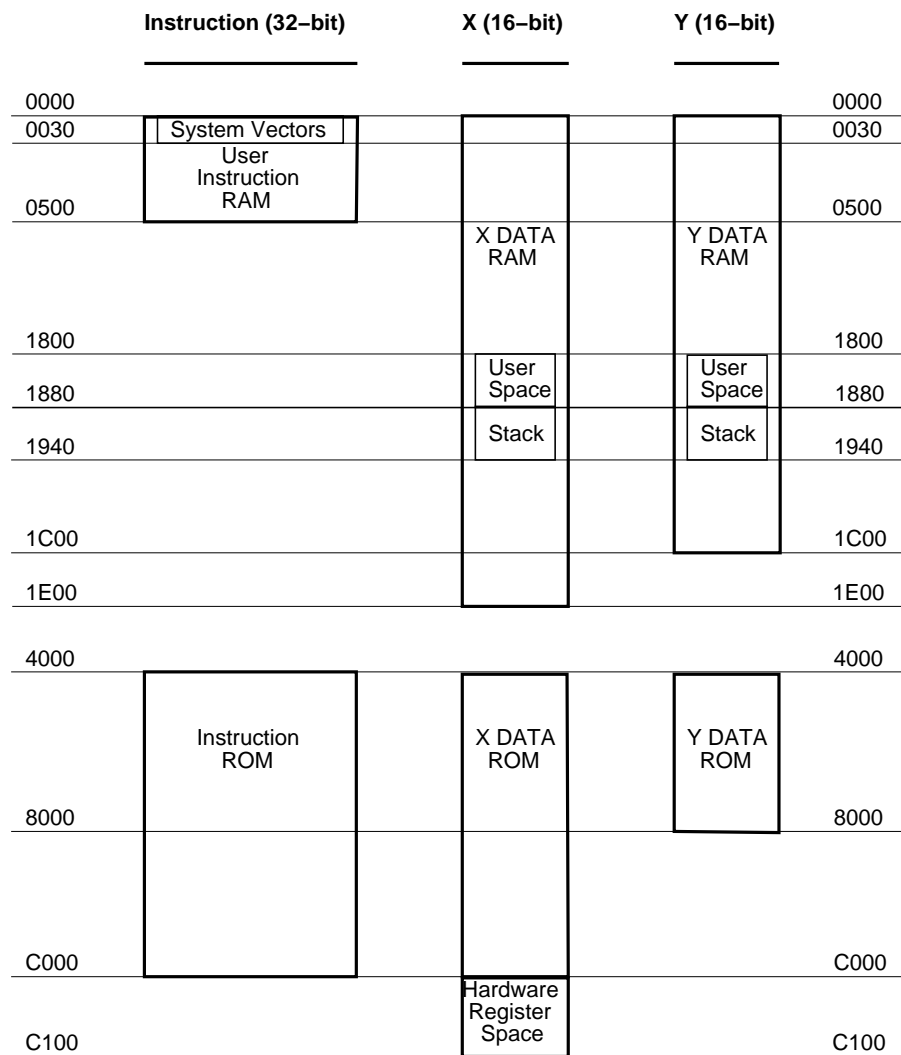


Figure 14: User's Memory Map.

10.6 DAC Registers

| DAC registers, prefix DAC_ | | | | |
|----------------------------|------|-------|--------------|---|
| Reg | Type | Reset | Abbrev[bits] | Description |
| 0xC013 | rw | 0 | FCTL | DAC frequency control, 16 LSbs. |
| 0xC014 | rw | 0 | FCTLH | DAC frequency control 4MSbs, PLL control. |
| 0xC015 | rw | 0 | LEFT | DAC left channel PCM value. |
| 0xC016 | rw | 0 | RIGHT | DAC right channel PCM value. |

Every fourth clock cycle, an internal 26-bit counter is added to by $(\text{DAC_FCTLH} \& 15) \times 65536 + \text{DAC_FCTL}$. Whenever this counter overflows, values from DAC_LEFT and DAC_RIGHT are read and a DAC interrupt is generated.

10.7 GPIO Registers

| GPIO registers, prefix GPIO_ | | | | |
|------------------------------|------|-------|--------------|----------------------------|
| Reg | Type | Reset | Abbrev[bits] | Description |
| 0xC017 | rw | 0 | DDR[3:0] | Direction. |
| 0xC018 | r | 0 | IDATA[3:0] | Values read from the pins. |
| 0xC019 | rw | 0 | ODATA[3:0] | Values set to the pins. |

GPIO_DIR is used to set the direction of the GPIO pins. 1 means output. GPIO_ODATA remembers its values even if a GPIO_DIR bit is set to input.

GPIO registers don't generate interrupts.

Note that in VS1003 the VSDSP registers can be read and written through the SCI_WRAMADDR and SCI_WRAM registers. You can thus use the GPIO pins quite conveniently.

10.8 Interrupt Registers

| Interrupt registers, prefix INT_ | | | | |
|----------------------------------|------|-------|--------------|---|
| Reg | Type | Reset | Abbrev[bits] | Description |
| 0xC01A | rw | 0 | ENABLE[7:0] | Interrupt enable. |
| 0xC01B | w | 0 | GLOB_DIS[-] | Write to add to interrupt counter. |
| 0xC01C | w | 0 | GLOB_ENA[-] | Write to subtract from interrupt counter. |
| 0xC01D | rw | 0 | COUNTER[4:0] | Interrupt counter. |

INT_ENABLE controls the interrupts. The control bits are as follows:

| INT_ENABLE bits | | |
|-----------------|------|--------------------------------|
| Name | Bits | Description |
| INT_EN_TIM1 | 7 | Enable Timer 1 interrupt. |
| INT_EN_TIM0 | 6 | Enable Timer 0 interrupt. |
| INT_EN_RX | 5 | Enable UART RX interrupt. |
| INT_EN_TX | 4 | Enable UART TX interrupt. |
| INT_EN_MODU | 3 | Enable AD modulator interrupt. |
| INT_EN_SDI | 2 | Enable Data interrupt. |
| INT_EN_SCI | 1 | Enable SCI interrupt. |
| INT_EN_DAC | 0 | Enable DAC interrupt. |

Note: It may take up to 6 clock cycles before changing INT_ENABLE has any effect.

Writing any value to INT_GLOB_DIS adds one to the interrupt counter INT_COUNTER and effectively disables all interrupts. It may take up to 6 clock cycles before writing to this register has any effect.

Writing any value to INT_GLOB_ENA subtracts one from the interrupt counter (unless INT_COUNTER already was 0). If the interrupt counter becomes zero, interrupts selected with INT_ENABLE are restored. An interrupt routine should always write to this register as the last thing it does, because interrupts automatically add one to the interrupt counter, but subtracting it back to its initial value is the responsibility of the user. It may take up to 6 clock cycles before writing this register has any effect.

By reading INT_COUNTER the user may check if the interrupt counter is correct or not. If the register is not 0, interrupts are disabled.

10.9 A/D Modulator Registers

| Interrupt registers, prefix AD_ | | | | |
|---------------------------------|------|-------|--------------|------------------------|
| Reg | Type | Reset | Abbrev[bits] | Description |
| 0xC01E | rw | 0 | DIV | A/D Modulator divider. |
| 0xC01F | rw | 0 | DATA | A/D Modulator data. |

| AD_DIV bits | | |
|---------------|------|-----------------|
| Name | Bits | Description |
| ADM_POWERDOWN | 15 | 1 in powerdown. |
| ADM_DIVIDER | 14:0 | Divider. |

ADM_DIVIDER controls the AD converter's sampling frequency. To gather one sample, $128 \times n$ clock cycles are used (n is value of AD_DIV). The lowest usable value is 4, which gives a 48 kHz sample rate when CLKI is 24.576 MHz. When ADM_POWERDOWN is 1, the A/D converter is turned off.

AD_DATA contains the latest decoded A/D value.

10.10 Watchdog v1.0 2002-08-26

The watchdog consist of a watchdog counter and some logic. After reset, the watchdog is inactive. The counter reload value can be set by writing to WDOG_CONFIG. The watchdog is activated by writing 0x4ea9 to register WDOG_RESET. Every time this is done, the watchdog counter is reset. Every 65536'th clock cycle the counter is decremented by one. If the counter underflows, it will activate vsdsp's internal reset sequence.

Thus, after the first 0x4ea9 write to WDOG_RESET, subsequent writes to the same register with the same value must be made no less than every $65536 \times \text{WDOG_CONFIG}$ clock cycles.

Once started, the watchdog cannot be turned off. Also, a write to WDOG_CONFIG doesn't change the counter reload value.

After watchdog has been activated, any read/write operation from/to WDOG_CONFIG or WDOG_DUMMY will invalidate the next write operation to WDOG_RESET. This will prevent runaway loops from re-setting the counter, even if they do happen to write the correct number. Writing a wrong value to WDOG_RESET will also invalidate the next write to WDOG_RESET.

Reads from watchdog registers return undefined values.

10.10.1 Registers

| Watchdog, prefix WDOG_ | | | | |
|------------------------|------|-------|----------|---------------------|
| Reg | Type | Reset | Abbrev | Description |
| 0xC020 | w | 0 | CONFIG | Configuration |
| 0xC021 | w | 0 | RESET | Clock configuration |
| 0xC022 | w | 0 | DUMMY[-] | Dummy register |

10.11 UART v1.0 2002-04-23

RS232 UART implements a serial interface using rs232 standard.

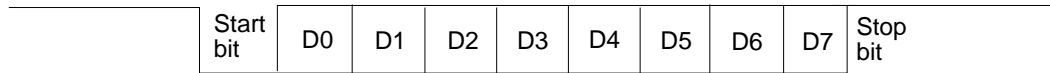


Figure 15: RS232 Serial Interface Protocol

When the line is idling, it stays in logic high state. When a byte is transmitted, the transmission begins with a start bit (logic zero) and continues with data bits (LSB first) and ends up with a stop bit (logic high). 10 bits are sent for each 8-bit byte frame.

10.11.1 Registers

| UART registers, prefix UARTx_ | | | | |
|-------------------------------|------|-------|-------------|-------------|
| Reg | Type | Reset | Abbrev | Description |
| 0xC028 | r | 0 | STATUS[3:0] | Status |
| 0xC029 | r/w | 0 | DATA[7:0] | Data |
| 0xC02A | r/w | 0 | DATAH[15:8] | Data High |
| 0xC02B | r/w | 0 | DIV | Divider |

10.11.2 Status UARTx.STATUS

A read from the status register returns the transmitter and receiver states.

| UARTx.STATUS Bits | | |
|-------------------|------|--------------------------------|
| Name | Bits | Description |
| UART.ST_RXORUN | 3 | Receiver overrun |
| UART.ST_RXFULL | 2 | Receiver data register full |
| UART.ST_TXFULL | 1 | Transmitter data register full |
| UART.ST_TXRUNNING | 0 | Transmitter running |

UART.ST_RXORUN is set if a received byte overwrites unread data when it is transferred from the receiver shift register to the data register, otherwise it is cleared.

UART.ST_RXFULL is set if there is unread data in the data register.

UART.ST_TXFULL is set if a write to the data register is not allowed (data register full).

UART.ST_TXRUNNING is set if the transmitter shift register is in operation.

10.11.3 Data UARTx_DATA

A read from UARTx_DATA returns the received byte in bits 7:0, bits 15:8 are returned as '0'. If there is no more data to be read, the receiver data register full indicator will be cleared.

A receive interrupt will be generated when a byte is moved from the receiver shift register to the receiver data register.

A write to UARTx_DATA sets a byte for transmission. The data is taken from bits 7:0, other bits in the written value are ignored. If the transmitter is idle, the byte is immediately moved to the transmitter shift register, a transmit interrupt request is generated, and transmission is started. If the transmitter is busy, the UART_ST_TXFULL will be set and the byte remains in the transmitter data register until the previous byte has been sent and transmission can proceed.

10.11.4 Data High UARTx_DATAH

The same as UARTx_DATA, except that bits 15:8 are used.

10.11.5 Divider UARTx_DIV

| UARTx_DIV Bits | | |
|----------------|------|--------------------|
| Name | Bits | Description |
| UART_DIV_D1 | 15:8 | Divider 1 (0..255) |
| UART_DIV_D2 | 7:0 | Divider 2 (6..255) |

The divider is set to 0x0000 in reset. The ROM boot code must initialize it correctly depending on the master clock frequency to get the correct bit speed. The second divider (D_2) must be from 6 to 255.

The communication speed $f = \frac{f_m}{(D_1+1) \times (D_2)}$, where f_m is the master clock frequency, and f is the TX/RX speed in bps.

Divider values for common communication speeds at 26 MHz master clock:

| Example UART Speeds, $f_m = 26MHz$ | | |
|------------------------------------|-------------|-------------|
| Comm. Speed [bps] | UART_DIV_D1 | UART_DIV_D2 |
| 4800 | 85 | 63 |
| 9600 | 42 | 63 |
| 14400 | 42 | 42 |
| 19200 | 51 | 26 |
| 28800 | 42 | 21 |
| 38400 | 25 | 26 |
| 57600 | 1 | 226 |
| 115200 | 0 | 226 |

10.11.6 Interrupts and Operation

Transmitter operates as follows: After an 8-bit word is written to the transmit data register it will be transmitted instantly if the transmitter is not busy transmitting the previous byte. When the transmission begins a TX_INTR interrupt will be sent. Status bit [1] informs the transmitter data register empty (or full state) and bit [0] informs the transmitter (shift register) empty state. A new word must not be written to transmitter data register if it is not empty (bit [1] = '0'). The transmitter data register will be empty as soon as it is shifted to transmitter and the transmission is begun. It is safe to write a new word to transmitter data register every time a transmit interrupt is generated.

Receiver operates as follows: It samples the RX signal line and if it detects a high to low transition, a start bit is found. After this it samples each 8 bit at the middle of the bit time (using a constant timer), and fills the receiver (shift register) LSB first. Finally if a stop bit (logic high) is detected the data in the receiver is moved to the receive data register and the RX_INTR interrupt is sent and a status bit[2] (receive data register full) is set, and status bit[2] old state is copied to bit[3] (receive data overrun). After that the receiver returns to idle state to wait for a new start bit. Status bit[2] is zeroed when the receiver data register is read.

RS232 communication speed is set using two clock dividers. The base clock is the processor master clock. Bits 15-8 in these registers are for first divider and bits 7-0 for second divider. RX sample frequency is the clock frequency that is input for the second divider.

10.12 Timers v1.0 2002-04-23

There are two 32-bit timers that can be initialized and enabled independently of each other. If enabled, a timer initializes to its start value, written by a processor, and starts decrementing every clock cycle. When the value goes past zero, an interrupt is sent, and the timer initializes to the value in its start value register, and continues downcounting. A timer stays in that loop as long as it is enabled.

A timer has a 32-bit timer register for down counting and a 32-bit TIMER1_LH register for holding the timer start value written by the processor. Timers have also a 2-bit TIMER_ENA register. Each timer is enabled (1) or disabled (0) by a corresponding bit of the enable register.

10.12.1 Registers

| Timer registers, prefix TIMER_ | | | | |
|--------------------------------|------|-------|-------------|--------------------------|
| Reg | Type | Reset | Abbrev | Description |
| 0xC030 | r/w | 0 | CONFIG[7:0] | Timer configuration |
| 0xC031 | r/w | 0 | ENABLE[1:0] | Timer enable |
| 0xC034 | r/w | 0 | T0L | Timer0 startvalue - LSBs |
| 0xC035 | r/w | 0 | T0H | Timer0 startvalue - MSBs |
| 0xC036 | r/w | 0 | T0CNTL | Timer0 counter - LSBs |
| 0xC037 | r/w | 0 | T0CNTH | Timer0 counter - MSBs |
| 0xC038 | r/w | 0 | T1L | Timer1 startvalue - LSBs |
| 0xC039 | r/w | 0 | T1H | Timer1 startvalue - MSBs |
| 0xC03A | r/w | 0 | T1CNTL | Timer1 counter - LSBs |
| 0xC03B | r/w | 0 | T1CNTH | Timer1 counter - MSBs |

10.12.2 Configuration TIMER_CONFIG

| TIMER_CONFIG Bits | | |
|-------------------|------|----------------------|
| Name | Bits | Description |
| TIMER_CF_CLKDIV | 7:0 | Master clock divider |

TIMER_CF_CLKDIV is the master clock divider for all timer clocks. The generated internal clock frequency $f_i = \frac{f_m}{c+1}$, where f_m is the master clock frequency and c is TIMER_CF_CLKDIV. Example: With a 12 MHz master clock, TIMER_CF_DIV=3 divides the master clock by 4, and the output/sampling clock would thus be $f_i = \frac{12MHz}{3+1} = 3MHz$.

10.12.3 Configuration **TIMER_ENABLE**

| TIMER_ENABLE Bits | | |
|-------------------|------|----------------|
| Name | Bits | Description |
| TIMER_EN_T1 | 1 | Enable timer 1 |
| TIMER_EN_T0 | 0 | Enable timer 0 |

10.12.4 Timer X Startvalue **TIMER_Tx[L/H]**

The 32-bit start value **TIMER_Tx[L/H]** sets the initial counter value when the timer is reset. The timer interrupt frequency $f_t = \frac{f_i}{c+1}$ where f_i is the master clock obtained with the clock divider (see Chapter 10.12.2 and c is **TIMER_Tx[L/H]**).

Example: With a 12 MHz master clock and with **TIMER_CF_CLKDIV**=3, the master clock $f_i = 3MHz$. If **TIMER_TH**=0, **TIMER_TL**=99, then the timer interrupt frequency $f_t = \frac{3MHz}{99+1} = 30kHz$.

10.12.5 Timer X Counter **TIMER_TxCNT[L/H]**

TIMER_TxCNT[L/H] contains the current counter values. By reading this register pair, the user may get knowledge of how long it will take before the next timer interrupt. Also, by writing to this register, a one-shot different length timer interrupt delay may be realized.

10.12.6 Interrupts

Each timer has its own interrupt, which is asserted when the timer counter underflows.

10.13 System Vector Tags

The System Vector Tags are tags that may be replaced by the user to take control over several decoder functions.

10.13.1 AudioInt, 0x20

Normally contains the following VS_DSP assembly code:

```
jmp i DAC_INT_ADDRESS, (i6)+1
```

The user may, at will, replace the first instruction with a *jmp i* command to gain control over the audio interrupt.

10.13.2 SciInt, 0x21

Normally contains the following VS_DSP assembly code:

```
jmp i SCI_INT_ADDRESS, (i6)+1
```

The user may, at will, replace the instruction with a *jmp i* command to gain control over the SCI interrupt.

10.13.3 DataInt, 0x22

Normally contains the following VS_DSP assembly code:

```
jmp i SDI_INT_ADDRESS, (i6)+1
```

The user may, at will, replace the instruction with a *jmp i* command to gain control over the SDI interrupt.

10.13.4 ModuInt, 0x23

Normally contains the following VS_DSP assembly code:

```
jmp i MODU_INT_ADDRESS, (i6)+1
```

The user may, at will, replace the instruction with a *jmp i* command to gain control over the AD Modulator interrupt.

10.13.5 TxInt, 0x24

Normally contains the following VS_DSP assembly code:

```
jmp i EMPTY_INT_ADDRESS, (i6)+1
```

The user may, at will, replace the instruction with a *jmp i* command to gain control over the UART TX interrupt.

10.13.6 RxInt, 0x25

Normally contains the following VS_DSP assembly code:

```
jmp i RX_INT_ADDRESS, (i6)+1
```

The user may, at will, replace the first instruction with a *jmp i* command to gain control over the UART RX interrupt.

10.13.7 Timer0Int, 0x26

Normally contains the following VS_DSP assembly code:

```
jmp i EMPTY_INT_ADDRESS, (i6)+1
```

The user may, at will, replace the first instruction with a *jmp i* command to gain control over the Timer 0 interrupt.

10.13.8 Timer1Int, 0x27

Normally contains the following VS_DSP assembly code:

```
jmp i EMPTY_INT_ADDRESS, (i6)+1
```

The user may, at will, replace the first instruction with a *jmp i* command to gain control over the Timer 1 interrupt.

10.13.9 UserCodec, 0x0

Normally contains the following VS_DSP assembly code:

```
jr  
nop
```

If the user wants to take control away from the standard decoder, the first instruction should be replaced with an appropriate *j* command to user's own code.

Unless the user is feeding MP3 or WMA data at the same time, the system activates the user program in less than 1 ms. After this, the user should steal interrupt vectors from the system, and insert user programs.

10.14 System Vector Functions

The System Vector Functions are pointers to some functions that the user may call to help implementing his own applications.

10.14.1 WriteIRam(), 0x2

VS_DSP C prototype:

```
void WriteIRam(register __i0 u_int16 *addr, register __a1 u_int16 msW, register __a0 u_int16 lsW);
```

This is the preferred way to write to the User Instruction RAM.

10.14.2 ReadIRam(), 0x4

VS_DSP C prototype:

```
u_int32 ReadIRam(register __i0 u_int16 *addr);
```

This is the preferred way to read from the User Instruction RAM.

A1 contains the MSBs and a0 the LSBs of the result.

10.14.3 DataBytes(), 0x6

VS_DSP C prototype:

`u_int16 DataBytes(void);`

If the user has taken over the normal operation of the system by switching the pointer in `UserCodec` to point to his own code, he may read data from the Data Interface through this and the following two functions.

This function returns the number of data bytes that can be read.

10.14.4 `GetDataByte(), 0x8`

VS_DSP C prototype:

`u_int16 GetDataByte(void);`

Reads and returns one data byte from the Data Interface. This function will wait until there is enough data in the input buffer.

10.14.5 `GetDataWords(), 0xa`

VS_DSP C prototype:

`void GetDataWords(register __i0 __y u_int16 *d, register __a0 u_int16 n);`

Read n data byte pairs and copy them in big-endian format (first byte to MSBs) to d . This function will wait until there is enough data in the input buffer.

10.14.6 `Reboot(), 0xc`

VS_DSP C prototype:

`void Reboot(void);`

Causes a software reboot, i.e. jump to the standard firmware without reinitializing the IRAM vectors.

This is NOT the same as the software reset function, which causes complete initialization.

11 Document Version Changes

This chapter describes the most important changes to this document.

Version 1.02, 2006-07-13

- Some clarifications to ADPCM recording.
- GBUF is now called Common mode buffer.
- Updated the connection diagram in Section 6

Version 1.01, 2005-12-08

- ADPCM recording section added (section 9.4)
- Changed output voltage current to 1 mA, max CLKI to 52 MHz, temperature range -40..85°C.

Version 1.00, 2005-09-05

- AVDD maximum reduced to 2.85 V
- Production version, no longer preliminary

Version 0.93, 2005-06-23

- Power consumption limits updated

Version 0.92, 2005-06-07

- License clause updated
- Midi instruments listed
- Recommended temperature range -25°C..+70°

Version 0.91, 2005-02-25

- Added LQFP symbol into first page.
- Pin name changes in Section 5.2.
- Chip Characteristics revised.

12 Contact Information

VLSI Solution Oy
Hermiankatu 6-8 C
FIN-33720 Tampere
FINLAND

Fax: +358-3-316 5220
Phone: +358-3-316 5230
Email: sales@vlsi.fi
URL: <http://www.vlsi.fi/>