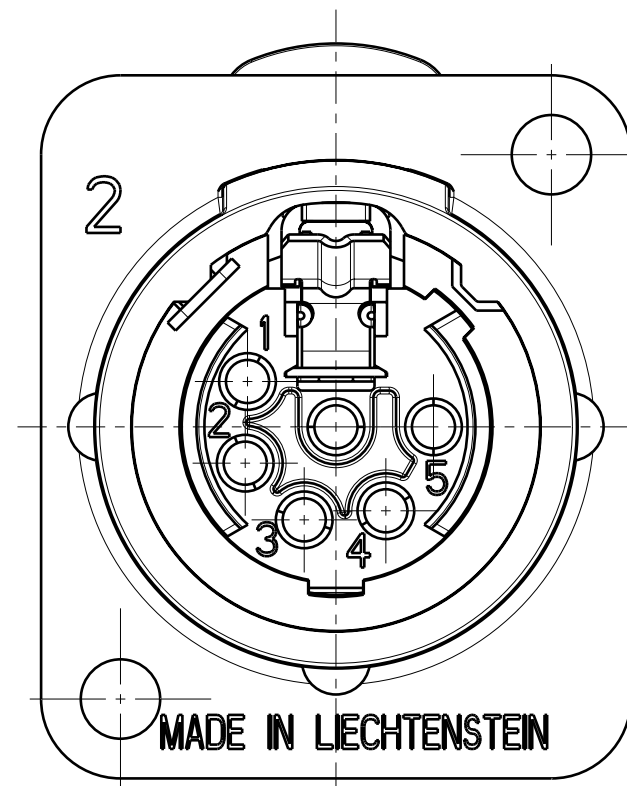
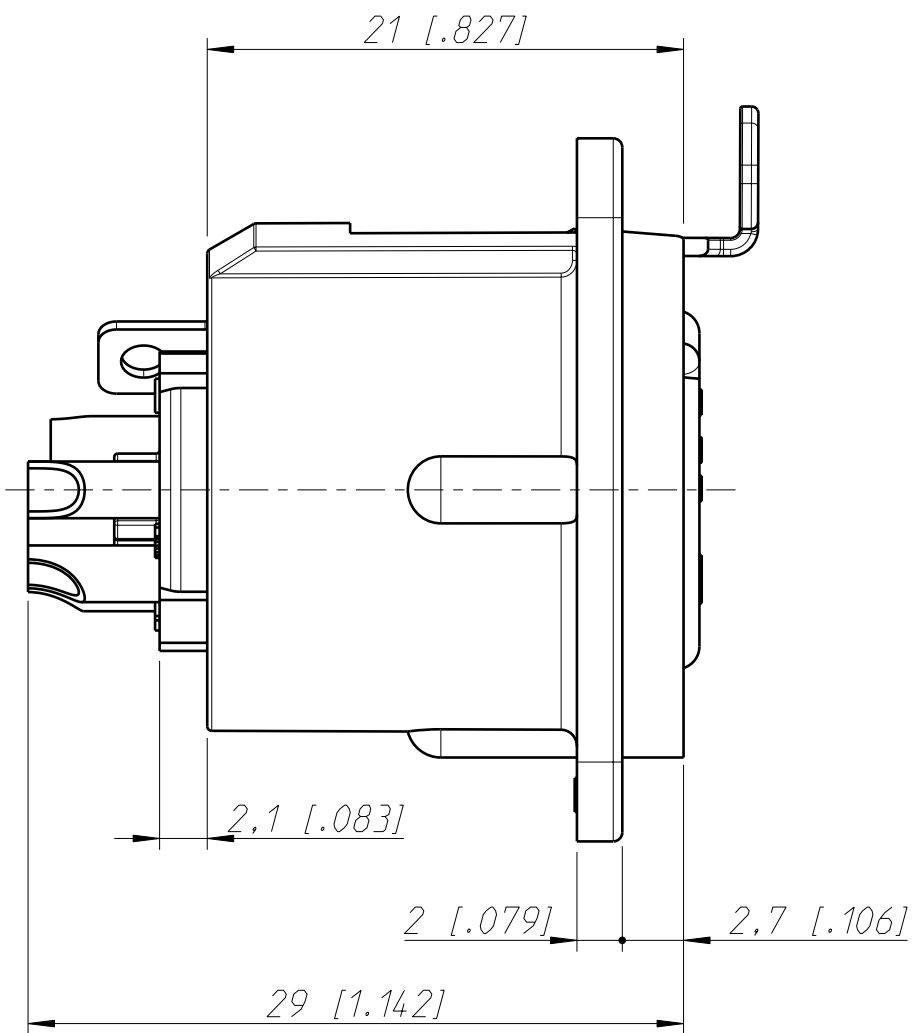
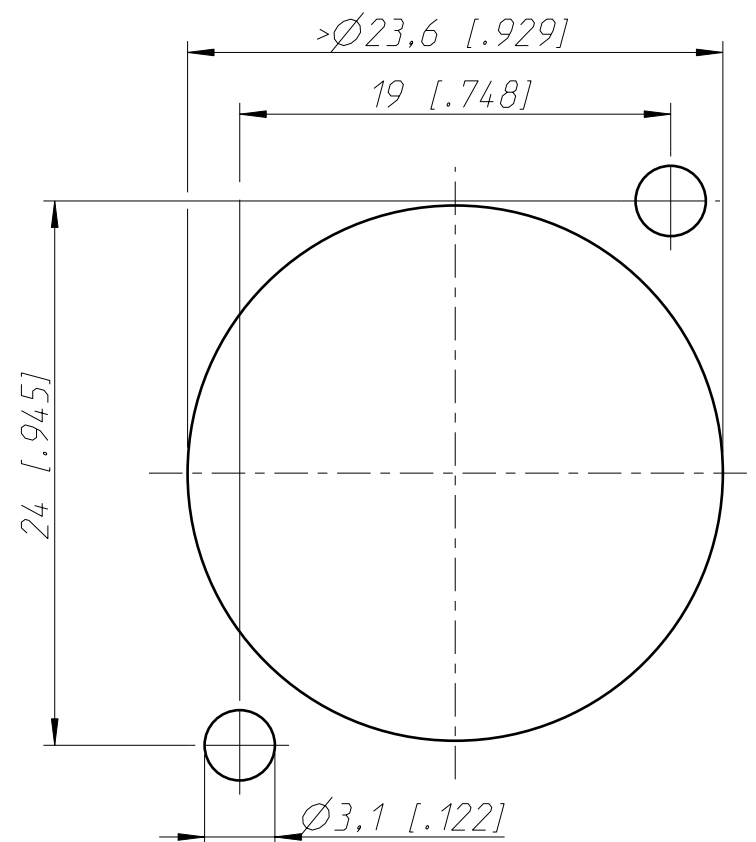


Frontplattenausschnitt (Rückseite)  
panel cut out (rear side)



Refer to protection notice ISO 16016.	Scale 3:1 (A3)	Drawn	07.06.90	Illtenberger
		Modified	19.01.16	Dobler
Name - NC6FD-L-1	Change-No. -	Sheet-No.	1 / 1	Index B
		Replacement for: Drawing-No. ST-NC6FD-L-1		
<b>NEUTRIK</b>				