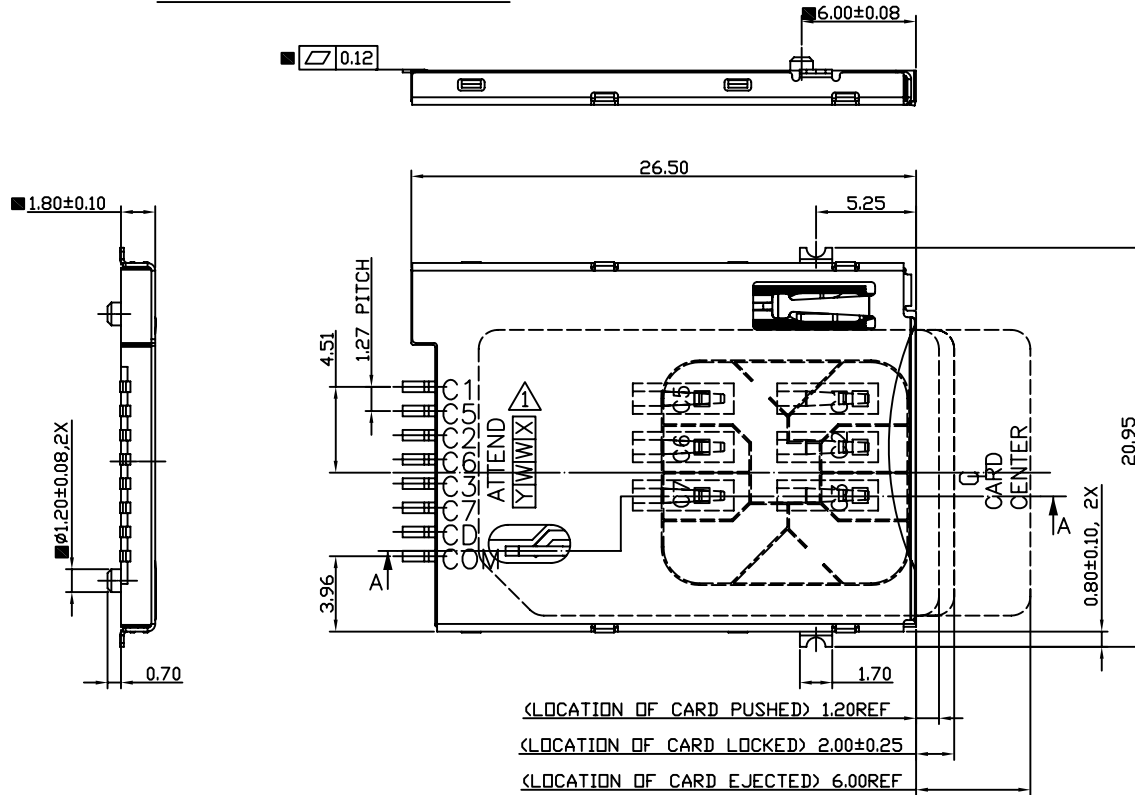
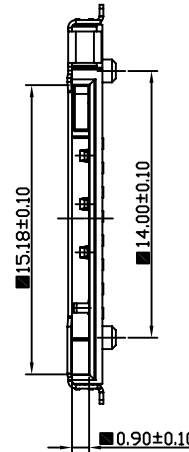


CARD DETECT SW. STATUS.

- NOTES:
- MATERIAL:  
HOUSING: LCP+30% G.F., UL 94V-0 RATED, COLOR BLACK.  
CONTACTS: COPPER ALLOY.  
SHIELD COVER: SUS304, 0.2T.
  - PLATING:  
CONTACT AREA: HARD GOLD PLATING OVER 1.27  $\mu\text{m}$  (<math>50 \mu''</math>) MIN, NICKEL UNDERPLATING.  
SOLDERING ZONE: 3.05  $\mu\text{m}$  (<math>120 \mu''</math>) MIN. 100% TIN, OR LEAD-FREE PLATING PER PART NUMBER DESIGNATION, OVER NICKEL UNDERPLATING.  
SHIELD COVER: GOLD FLASH NICKEL UNDERPLATING.  
UNDERPLATING: 1.27  $\mu\text{m}$  (<math>50 \mu''</math>) MIN. NICKEL ALLOY.
  - CUTTING BURR ALLOWED: 0.03mm MAX.
  - THE DIMENSIONS MARKED WITH "■" ARE CRITICAL DIMENSIONS.
  - COPLANARITY IS 0.10mm MAX.
  - RoHS COMPLIANT PRODUCTS.
  - DATE CODE MARKING:



(LOCATION OF CARD PUSHED) 1.20REF  
 (LOCATION OF CARD LOCKED) 2.00±0.25  
 (LOCATION OF CARD EJECTED) 6.00REF



PRODUCT NUMBER:  
 115A-A D A 0-R02  
 1 2 3 4 5

- Type  
A:6 Pin
- Contact Plating  
D:10u"Gold Plating
- Stand Off  
A:0mm
- Peg Type  
0:w/Peg
- RoHS

PARTS LIST

ITEM	DESCRIPTION	QTY(PC'S)
1	HOUSING	1
2	SLIDER	1
3	MAIN CONTACT	1
4	COM CONTACT	1
5	CD CONTACT	1
6	METAL COVER	1
7	CRANK	1
8	SPRING	1

UNLESS OTHERWISE SPECIFIED TOLERANCE

ANG.	±5
0.	±0.3
.0	±0.25
.00	±0.20

SCALE: AS SHOWN UNIT: mm

DRAWN Willis 2010/10/11

CHECKED Angel 2010/10/11

APPROVED Ken 2010/10/11

DATE SIZE REV.



ATTEND TECHNOLOGY INC.

www.attend.com.tw

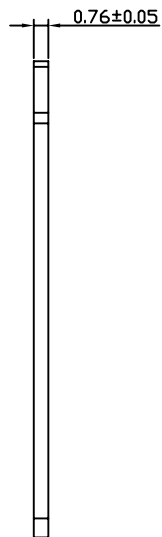
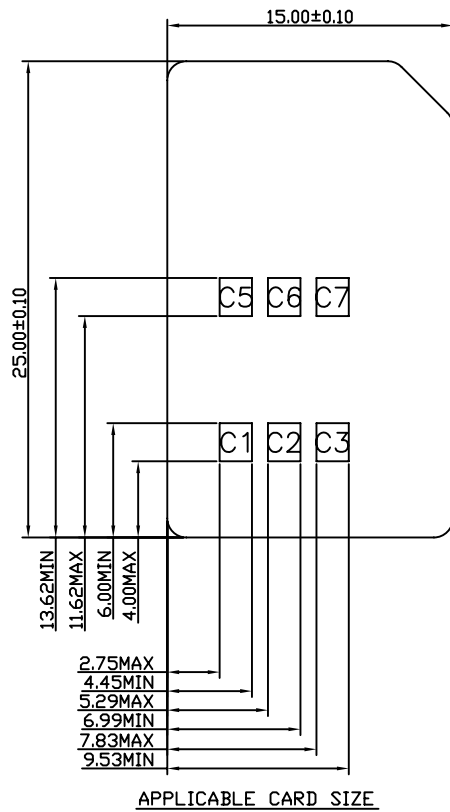
DRAWN NAME: SIM Card Socket  
6+2 Pin Push-Push Type

PRODUCT NO. 115A-ADA0-R02

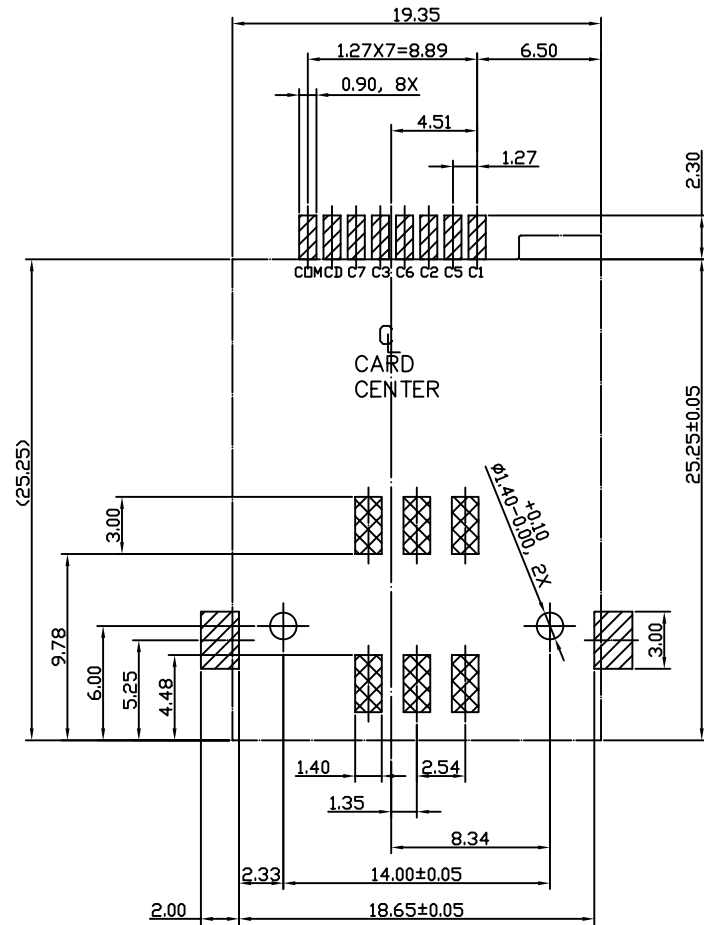
FILE NAME: 115A-ADA0-R02\_B\_2

- Revise: pin definition
- Revise: date code marking

REV.	DESCRIPTION	DATE	SIZE	REV.
1			A4	



PIN DEFINITION						
NAME	C1	C2	C3	C5	C6	C7
TYPE	Vcc	RST	CLK	GND	Vpp	I/O



**RECOMMENDED PCB LAYOUT**

— TRACR PROHIBITION AREA

UNLESS OTHERWISE SPECIFIED TOLERANCE

ANG.	±5
0.	±0.3
.0	±0.25
.00	±0.20

SCALE: AS SHOWN UNIT: mm

DRAWN Willis 2010/10/11

CHECKED Angel 2010/10/11

APPROVED Ken 2010/10/11

SIZE A4 REV.



ATTEND TECHNOLOGY INC.

www.attend.com.tw

DRAWN NAME: SIM Card Socket  
6+2 Pin Push-Push Type

PRODUCT NO. 115A-ADA0-R02

FILE NAME: 115A-ADA0-R02\_B\_2

Revise: pin definition

Revise: date code marking

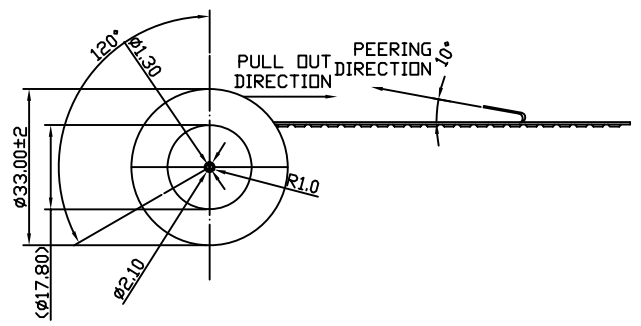
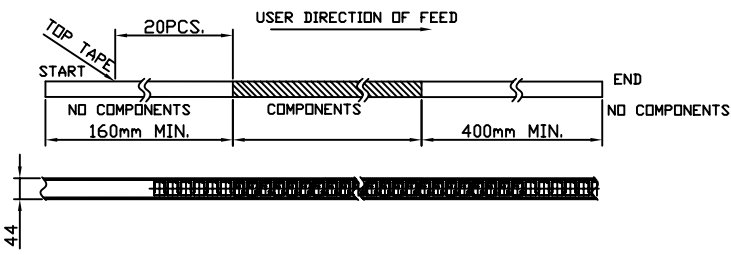
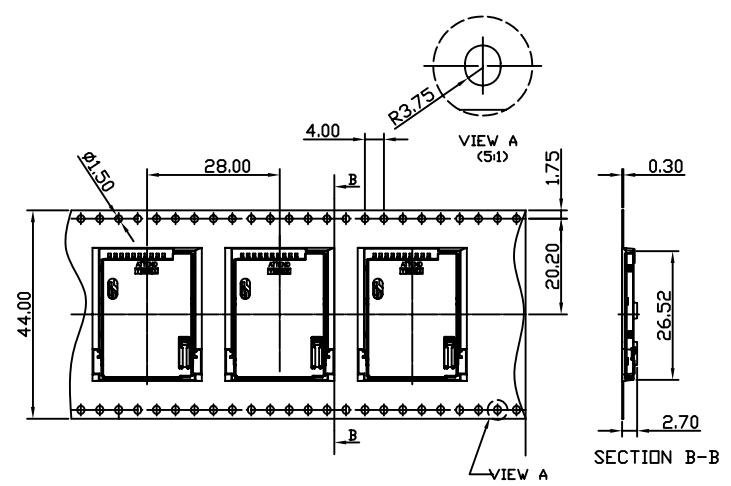
REV. DESCRIPTION

DATE

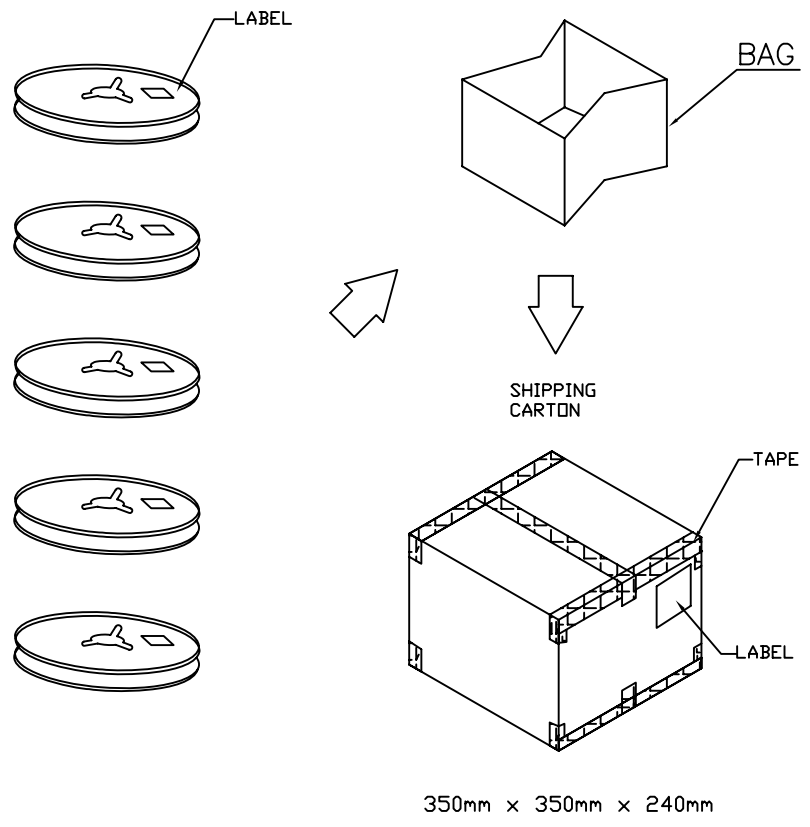


SIZE REV.

1 2 3 4 5 6 7 8 A4 9 10



NOTE:  
 1. 115A SERIES STANDARD PACKING: 500 PCS/REEL  
 2. 5 REEL/SHIPPING CARTON



350mm x 350mm x 240mm

						UNLESS OTHERWISE SPECIFIED TOLERANCE		 <b>ATTEND TECHNOLOGY INC.</b> <a href="http://www.attend.com.tw">www.attend.com.tw</a>		
						ANG. ±5 0. ±0.3 .0 ±0.25 .00 ±0.20				
						SCALE: AS SHOWN	UNIT: mm		DRAWN NAME: SIM Card Socket Push-Push Type, 6+2 Pin PRODUCT NO. 115A-ADA0-R02 FILE NAME: 115A-ADA0-R02_D_1	
						DRAWN Willis	2009/11/25			
						CHECKED Angel	2009/11/25			
						APPROVED Ken	2009/11/25			
REV.	DESCRIPTION					DATE		SIZE A4	REV.	