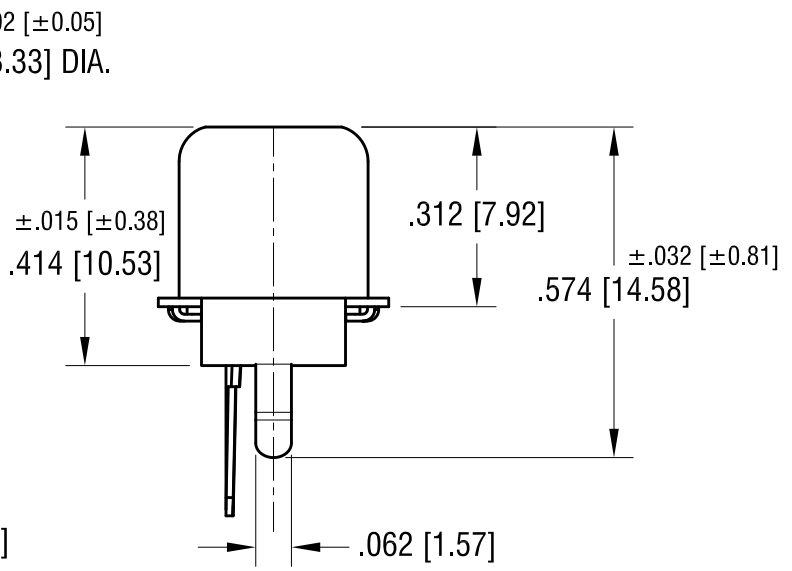
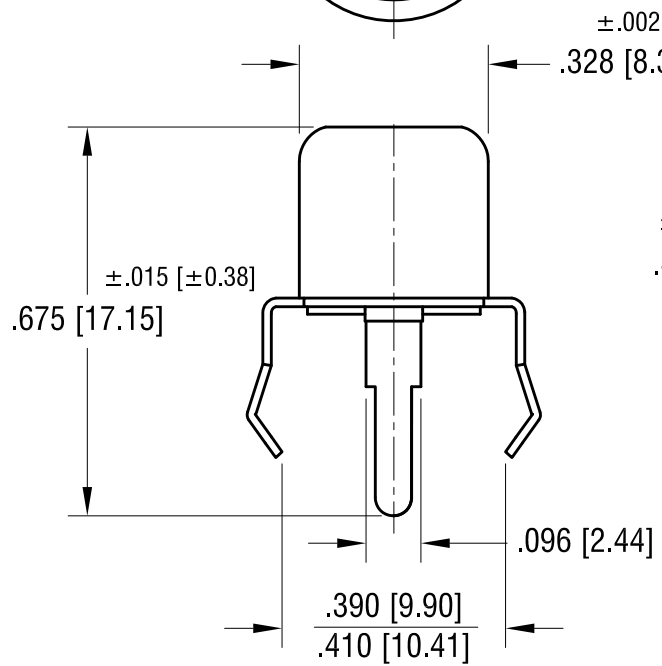
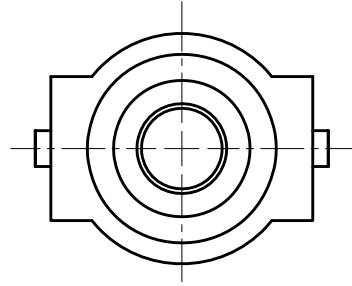
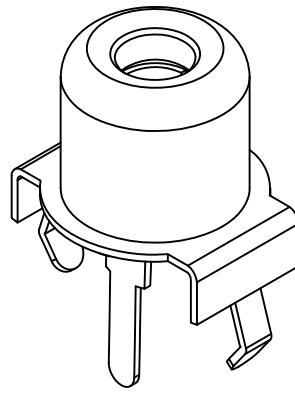
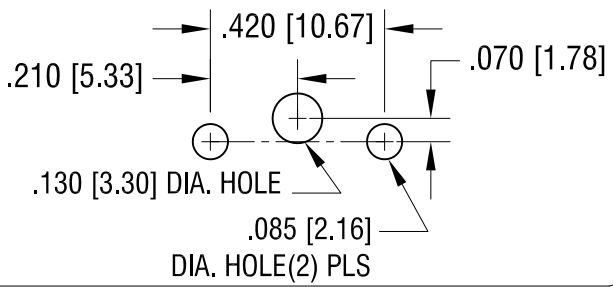


THIS DOCUMENT IS THE PROPERTY OF KEYSTONE ELECTRONICS CORP. AND SHALL NOT BE REPRODUCED, DISTRIBUTED OR USED AS A BASIS FOR MANUFACTURE WITHOUT PRIOR WRITTEN PERMISSION FROM KEYSTONE ELECTRONICS CORP.

MOUNTING DETAIL



NOTES:

1. SHELL: MAT'L- STEEL
2. CONTACT: MAT'L- BRASS
3. INSULATOR BUSHING: MAT'L- VALOX DR 48, OR EQUIVALENT
4. COLOR RING: MAT'L- VALOX DR 48 (RED) OR EQUIVALENT

12.08.11	CHANGE AS PER ECN 11-164	C
6.16.09	CHANGE AS PER ECN 09-070	B
9.4.98	CHANGE AS PER ECR 98-056	A
DATE	DESCRIPTION	REV.

KEYSTONE ELECTRONICS CORP.			
www.keyelco.com • ASTORIA, N.Y. 11105-2017 • Tel (718) 956-8900			
PART NAME			
SNAP-FIT VERTICAL PC PHONO JACK			
MATERIAL			
AS NOTED			
FINISH		DRN BY	DATE
TIN PLATE		BOONE	2.19.82
		APP'D	SCALE
		LN	3X
TOLERANCES	INCH [MM]	CODE	DWG NO.
DECIMAL	± .005 [± 0.15]	C/M	572
ANGULAR	± 1°		
UNLESS OTHERWISE SPECIFIED			