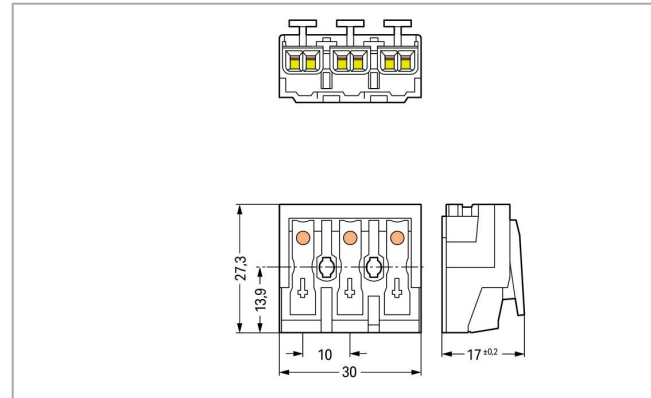
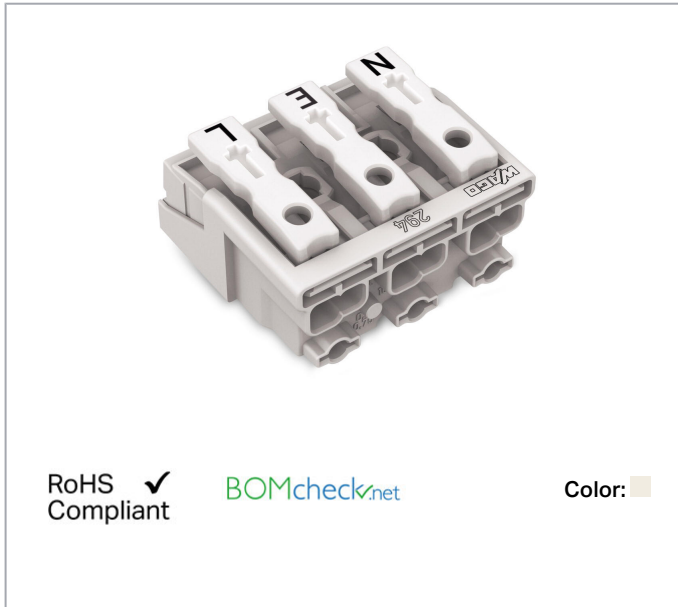


## Data sheet | Item number: 294-4093/3025-000

Lighting connector; push-button, external; without ground contact; 3-pole;  
Lighting side: for solid conductors; Inst. side: for all conductor types; max.  
2.5 mm<sup>2</sup>; Surrounding air temperature: max 85°C (T85); 2,50 mm<sup>2</sup>; white



[www.wago.com/294-4093/3025-000](http://www.wago.com/294-4093/3025-000)



### Item description

- External connection of solid, stranded and fine-stranded conductors
- Universal conductor termination (AWG, metric)
- Third contact at bottom
- Strain relief plate can be retrofitted

### Data

#### Electrical data

#### Ratings per IEC/EN

|                            |                   |
|----------------------------|-------------------|
| Ratings per                | IEC/EN 60998-1    |
| Ratings (note)             | Connection points |
| Nominal voltage (II/2)     | 500 V             |
| Rated surge voltage (II/2) | 4 kV              |
| Rated current              | 24 A              |
| Ratings per                | IEC/EN 60998-2-2  |
| Ratings (note) 2           | Connection points |

Subject to changes. Please also observe the further product documentation!

WAGO Kontakttechnik GmbH & Co. KG  
Hansastr. 27  
32423 Minden  
Phone: +49571 887-0 | Fax: +49571 887-169  
Email: [info.de@wago.com](mailto:info.de@wago.com) | Web: [www.wago.com](http://www.wago.com)

Do you have any questions about our products?  
We are always happy to take your call at +49 (571) 887-44222.



|                              |  |
|------------------------------|--|
| Rated voltage (II/2) 2       | 500 V  |
| Rated surge voltage (II/2) 2 | 4 kV   |
| Rated current 2              | 24 A   |
| Rated current 3              | 16 A   |
| Legend (ratings)             | (II / 2) $\triangleq$ Overvoltage category II / Pollution degree 2 |

## Connection data

|  |   |
|--|---|
| Connection type (1)  | External 1  |
| Connection technology                                      | Push-in CAGE CLAMP <sup>®</sup>   |
| Number of connection points (connection type)              | 2   |
| Actuation type   | Operating tool<br>Push-button   |
| Connectable conductor materials                            | Copper  |
| Solid conductor  | 0.5 ... 2.5 mm <sup>2</sup> / 18 ... 12 AWG                                 |
| Solid conductor; push-in termination                       | 0.5 ... 2.5 mm <sup>2</sup> / 18 ... 12 AWG                                 |
| Stranded conductor   | 0.5 ... 2.5 mm <sup>2</sup> / 18 ... 14 AWG                                 |
| Fine-stranded conductor                                    | 0.5 ... 2.5 mm <sup>2</sup> / 18 ... 14 AWG                                 |
| Fine-stranded conductor; with insulated ferrule            | 0.5 ... 1.5 mm <sup>2</sup> / 18 ... 16 AWG                                 |
| Fine-stranded conductor; with uninsulated ferrule          | 0.5 ... 1.5 mm <sup>2</sup> / 18 ... 16 AWG                                 |
| Fine-stranded conductor; with ferrule; push-in termination | 0.5 mm <sup>2</sup> / 18 AWG  |
| Strip length   | 8 ... 9 mm / 0.31 ... 0.35 inch   |
| Pole No.   | 3   |
| Connection type 2  | Internal 2  |
| Connection technology 2                                    | PUSH WIRE <sup>®</sup>  |
| Number of connection points                                | 1   |
| Solid conductor 2  | 0.5 ... 2.5 mm <sup>2</sup> / 18 ... 14 AWG                                 |
| Fine-stranded conductor; with insulated ferrule 2          | 0.5 ... 1 mm <sup>2</sup> / 18 ... 16 AWG                                   |
| Fine-stranded conductor; with uninsulated ferrule 2        | 0.5 ... 1.5 mm <sup>2</sup> / 18 ... 14 AWG                                 |
| Strip length 2   | 8 ... 9 mm / 0.31 ... 0.35 inch   |
| Connection type (3)  | Internal 3  |
| Number of connection points                                | 1   |
| Solid conductor 3  | 0.5 ... 1.5 mm <sup>2</sup> / 18 ... 16 AWG                                 |
| Fine-stranded conductor; with insulated ferrule 3          | 0.5 ... 0.75 mm <sup>2</sup> / 18 AWG 0.5 ... 0.75 mm <sup>2</sup> / 18 AWG |
| Fine-stranded conductor; with uninsulated ferrule 3        | 0.5 ... 1 mm <sup>2</sup> / 18 AWG  |
| Connection type (4)  | Internal 4  |
| Number of connection points                                | 1   |
| Solid conductor 4  | 0.5 ... 0.75 mm <sup>2</sup> / 18 AWG                                       |

Subject to changes. Please also observe the further product documentation!

|                                   |                   |
|-----------------------------------|-------------------|
| Total number of connection points | 15                |
| Total number of potentials        | 3                 |
| Number of connection types        | 4                 |
| Wiring type                       | Side-entry wiring |

### Physical data

|                         |                    |
|-------------------------|--------------------|
| Pin spacing             | 10 mm / 0.394 inch |
| Height from the surface | 17 mm / 0.669 inch |

### Material data

|                             |  |
|-----------------------------|--|
| Color                       | white                                  |
| Material group              | IIIa                                   |
| Insulation material         | Polycarbonate (PC)                     |
| Flammability class per UL94 | V0                                     |
| Clamping spring material    | Chrome nickel spring steel (CrNi)      |
| Contact material            | Electrolytic copper (E <sub>Cu</sub> ) |
| Contact plating             | tin-plated                             |
| Weight                      | 9.2 g                                  |

### Environmental requirements


|                       |        |
|-----------------------|--------|
| Temperature stability | 120 °C |
| T marking             | T85    |

### Commercial data

|                       |               |
|-----------------------|---------------|
| Packaging type        | lamination    |
| Country of origin     | CH            |
| GTIN                  | 4055143279161 |
| Customs tariff number | 85369010000   |

### Approvals / Certificates






#### Country specific Approvals

| Logo   | Approval                            | Additional Approval Text | Certificate name |
|--|-------------------------------------|--------------------------|------------------|
|  | ENEC 05<br>DEKRA Certification B.V. | EN 60998                 | 2128791.01       |

Subject to changes. Please also observe the further product documentation!

## Compatible products

### Strain relief plate

|  |  |  |
|--|--|--|
|  | <b>Item no.: 294-364</b><br>Strain relief plate; for 294 Series; for multicore cables; 3- to 5-pole; with secured clamp; white | <a href="http://www.wago.com/294-364">www.wago.com/294-364</a> |
|  | <b>Item no.: 294-370</b><br>Strain relief; for 294 Series; with snap-in mounting feet; white                                   | <a href="http://www.wago.com/294-370">www.wago.com/294-370</a> |
|  | <b>Item no.: 294-375</b><br>Strain relief; for 294 Series; without snap-in mounting feet; white                                | <a href="http://www.wago.com/294-375">www.wago.com/294-375</a> |
|  | <b>Item no.: 294-384</b><br>Strain relief plate; for 294 Series; for single strands; 3- to 5-pole; with secured clamp; white   | <a href="http://www.wago.com/294-384">www.wago.com/294-384</a> |
| <b>tools</b>   |  |  |
|  | <b>Item no.: 206-294</b><br>Disconnection tool; green  | <a href="http://www.wago.com/206-294">www.wago.com/206-294</a> |

## Downloads

### Documentation

#### Bid Text

|   |             |                |          |
|---|-------------|----------------|----------|
| 294-4093/3025-000<br>doc - Datei                        | 4. 1. 2018  | doc<br>30.7 kB | Download |
| 294-4093/3025-000<br>X81 - Datei                        | 19. 2. 2019 | xml<br>6.0 kB  | Download |
| <b>Additional Information</b><br>Technical explanations | 3. 4. 2019  | pdf<br>2.2 MB  | Download |

## Environmental Product Compliance

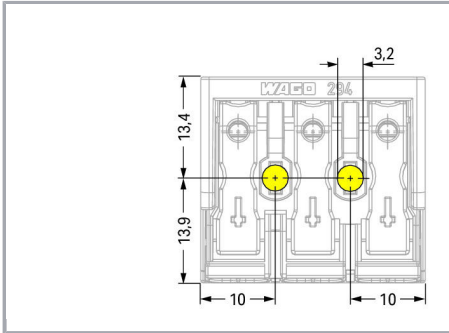
### Compliance Search

|   |     |          |
|---|-----|----------|
| Environmental Product Compliance 294-4093/3025-000<br>Lighting connector; push-button, external; without ground contact; 3-pole; Lighting side: for solid conductors; Inst. side: for all conductor types; max. 2.5 mm <sup>2</sup> ; Surrounding air temperature: max 85°C (T85); 2,50 mm <sup>2</sup> ; white | URL | Download |
|---|-----|----------|

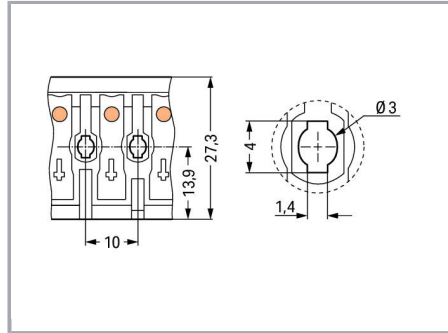
Subject to changes. Please also observe the further product documentation!

## Installation Notes

### Installation

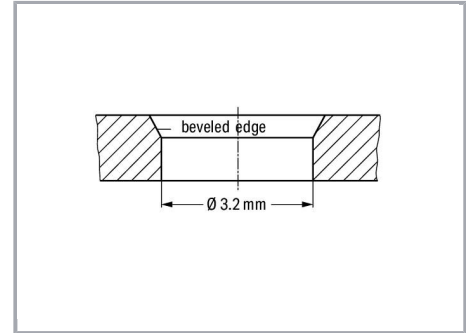


3-pole – without ground contact



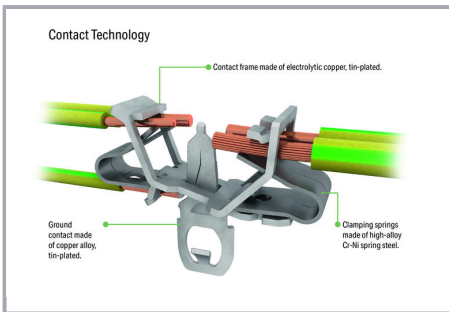
Mounting hole for screw

**Notice:** The maximum thread diameter for self-tapping screws is 3 mm.



Hole for screw mount

**Notice:** The maximum thread diameter for self-tapping screws is 3 mm.



| EUROPE                               |
|--------------------------------------|
| 1 x 0.5 ... 2.5 mm <sup>2</sup> "s"  |
| 1 x 0.5 ... 1.5 mm <sup>2</sup> "s"  |
| 1 x 0.5 ... 0.75 mm <sup>2</sup> "s" |
| AMERICA                              |
| 1 x AWG 18 ... 14 "s"                |
| 1 x AWG 18 ... 16 "s"                |
| 1 x AWG 18 "s"                       |
| JAPAN                                |
| 1 x 0.8 ... 1.6 mm diam. "s"         |
| 1 x 0.8 ... 1 mm diam. "s"           |
| 1 x 0.8 mm diam. "s"                 |

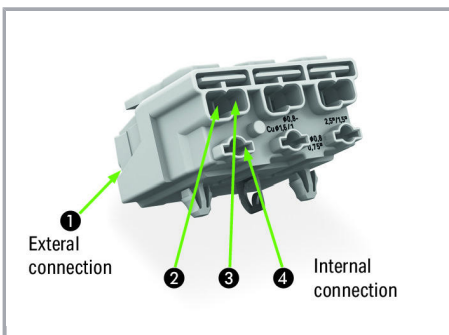
#### Internal connection:

PUSH WIRE® for internal wiring with solid conductors

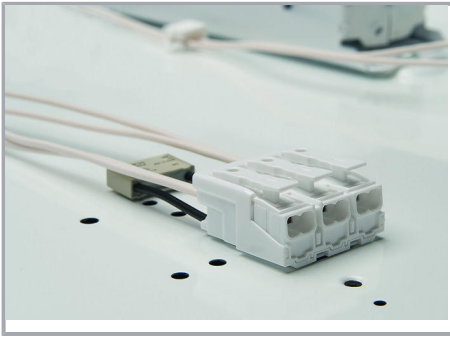
| EUROPE  |
|---|
| 2 x 0.5 ... 2.5 mm <sup>2</sup> "s, str, f-str" |
|   |
| AMERICA   |
| 2 x AWG 18 ... 12 "s"                           |
| 2 x AWG 18 ... 14 "s, f-str"                    |
|   |
| JAPAN   |
| 2 x 0.8 ... 2 mm diam. "s"                      |
| 2 x 0.5 ... 2 mm <sup>2</sup> "str, f-str"      |

#### External connection:

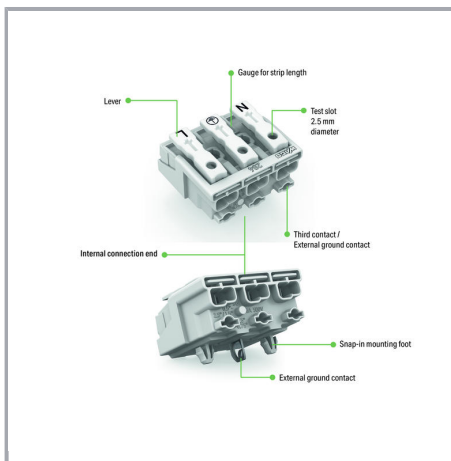
Push-in CAGE CLAMP® for field-wiring with all conductor types



Subject to changes. Please also observe the further product documentation!



Terminating five conductors per pole – solid and fine-stranded.



Subject to changes. Please also observe the further product documentation!