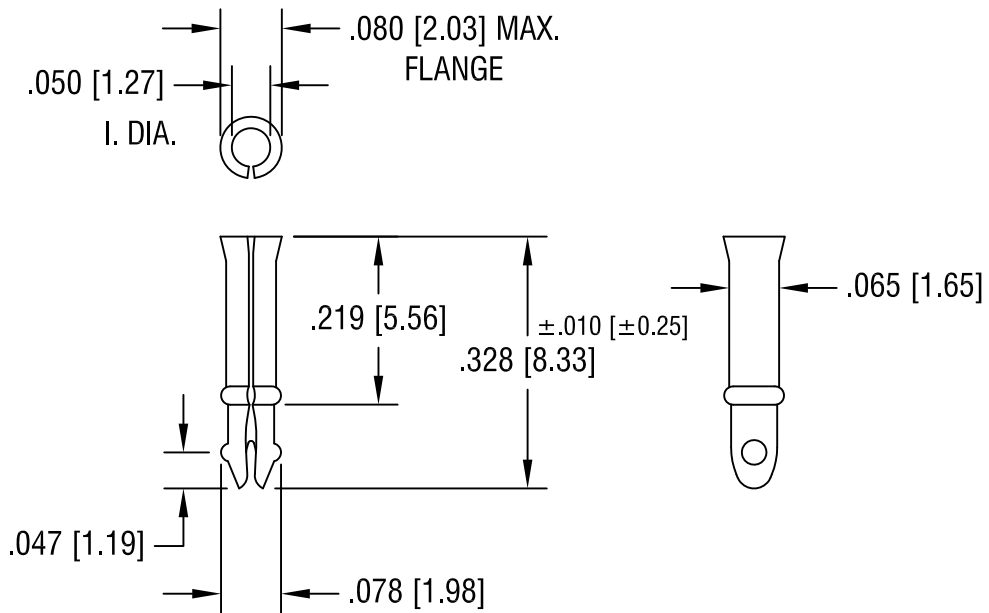


THIS DOCUMENT IS THE PROPERTY OF
KEYSTONE ELECTRONICS CORP. AND
SHALL NOT BE REPRODUCED, DISTRIBUTED
OR USED AS A BASIS FOR MANUFACTURE
WITHOUT PRIOR WRITTEN PERMISSION
FROM KEYSTONE ELECTRONICS CORP.



KEYSTONE ELECTRONICS CORP.

www.keyelco.com • ASTORIA, N.Y. 11105-2017 • Tel (718) 956-8900

PART NAME

MINIATURE TUBULAR TERMINAL

MATERIAL

.006 [0.15] TH'K BRASS

FINISH

MATTE TIN PLATE

DRN BY

BOONE

DATE

4.19.82

APP'D

LN

SCALE

4X

TOLERANCES

INCH [MM]

DECIMAL

$\pm .005$ [± 0.15]

ANGULAR

$\pm 1^\circ$

UNLESS OTHERWISE SPECIFIED

CODE

C

DWG NO.

1238

9.21.09

CHANGE AS PER ECN 09-131

C

9.28.00

CHANGE AS PER ECN 06-031

B

DATE

DESCRIPTION

REV.