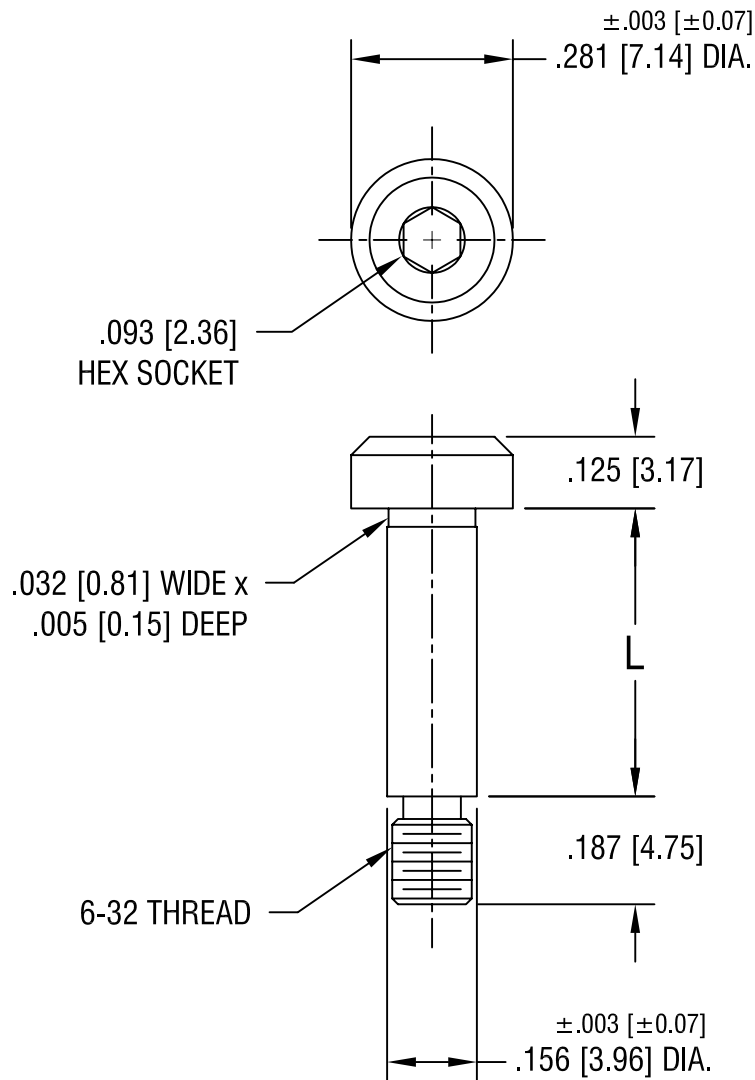


THIS DOCUMENT IS THE PROPERTY OF  
KEYSTONE ELECTRONICS CORP. AND  
SHALL NOT BE REPRODUCED, DISTRIBUTED  
OR USED AS A BASIS FOR MANUFACTURE  
WITHOUT PRIOR WRITTEN PERMISSION  
FROM KEYSTONE ELECTRONICS CORP.



PART NO.	'L' DIM.
2445	.125 [3.17]
2446	.250 [6.35]
2447	.375 [9.52]
2448	.500 [12.70]
2449	.625 [15.87]
2450	.750 [19.05]

**KEYSTONE ELECTRONICS CORP.**

ASTORIA, N.Y. 11105-2017

PART NAME

SHOULDER SCREW - SOCKET

MATERIAL

STAINLESS STEEL

FINISH

-

DRN BY

BOONE

DATE

8.16.95

APP'D

SCALE

3X

TOLERANCES

INCH [MM]

DECIMAL ±.005 [±0.15]

ANGULAR ± 1°  
UNLESS OTHERWISE SPECIFIED

CODE

DWG NO.

C/M

2445-2450

DATE

DESCRIPTION

REV.