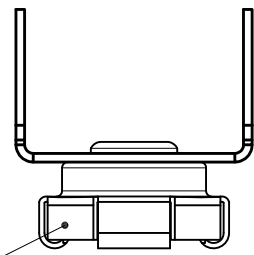
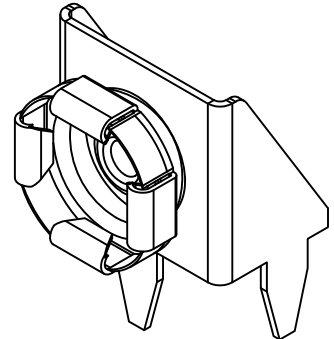
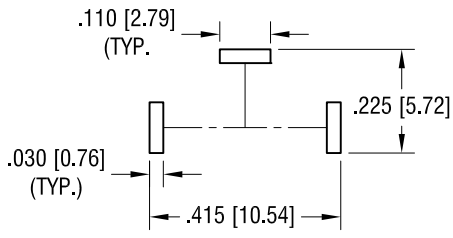
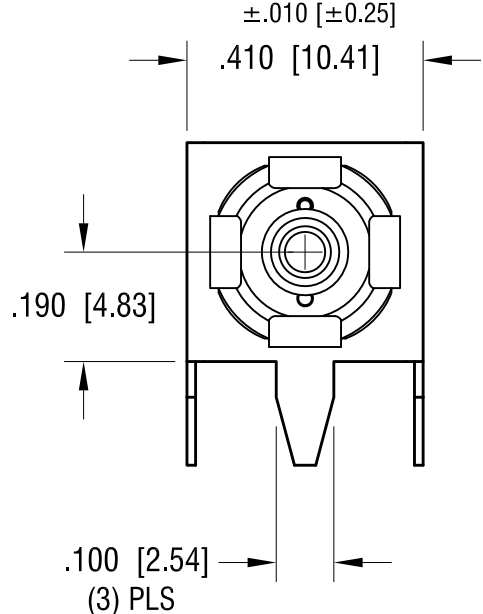
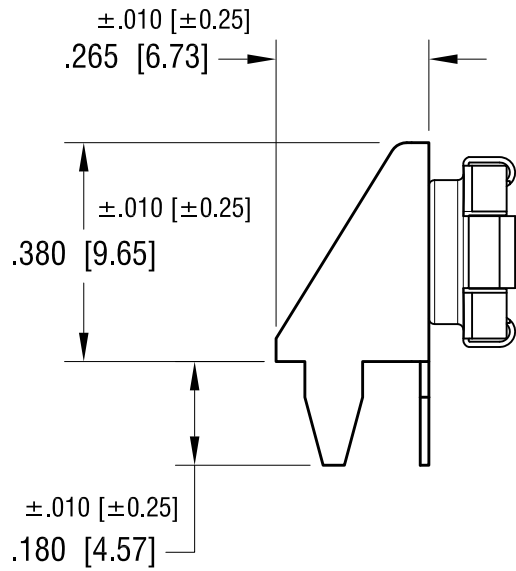


THIS DOCUMENT IS THE PROPERTY OF KEYSTONE ELECTRONICS CORP. AND SHALL NOT BE REPRODUCED, DISTRIBUTED OR USED AS A BASIS FOR MANUFACTURE WITHOUT PRIOR WRITTEN PERMISSION FROM KEYSTONE ELECTRONICS CORP.

MOUNTING DETAIL



SOCKET P/N 269



NOTE:

- 1. BASE - MAT'L: .015 [0.38] TH'K STEEL
FINISH: MATTE TIN PLATE
- 2. SOCKET - MAT'L: STEEL
FINISH: NICKEL PLATE

| | | |
|---------|--------------------------|------|
| 6.02.09 | CHANGE AS PER ECN 09-042 | A |
| DATE | DESCRIPTION | REV. |

| | | | |
|---|-----------------|--------------------------|------------|
| KEYSTONE ELECTRONICS CORP. | | | |
| www.keyelco.com • ASTORIA, N.Y. 11105-2017 • Tel (718) 956-8900 | | | |
| PART NAME | | 9 VOLT FEMALE PC SNAP-ON | |
| MATERIAL | | AS NOTED | |
| FINISH | | DRN BY | DATE |
| AS NOTED | | BOONE | 3.26.99 |
| | | APP'D | SCALE |
| | | LN | 3X |
| TOLERANCES | INCH [MM] | CODE | DWG NO. |
| DECIMAL | ± .005 [± 0.15] | C | 636 |
| ANGULAR | ± 1° | | |
| UNLESS OTHERWISE SPECIFIED | | | |