

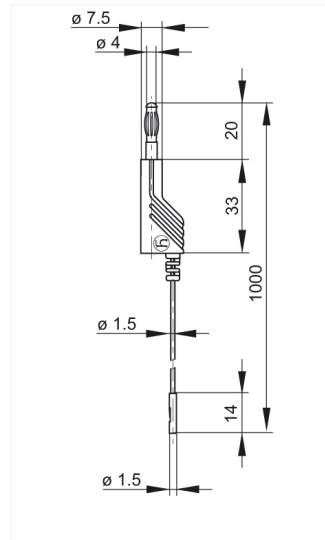


Industrial Connectors:Measuring and Testing Equipment:Measuring leads:0,64 mm system

Product description

Description	Injection-moulded measuring lead with sprung 4 mm diameter plug and 4 mm diameter socket for further connection and insulated socket for 0.64 mm round pillar and 0.64 mm rectangular pillar. Highly flexible 0.25 mm ² stranded wire.
Type	MAL N 4-0,64/100-0,25 schwarz/black
Order No.	934 160-100
System	0.64 mm system
Cable length	100 cm
Conductor size	0.25 mm ²
Cable material	PVC
Cable color	black
Housing Color	black
Other standard types	red color, order no. 934 160-101

Drawing



Technical data

Pin dimensions	4 mm, 0,64 mm
Type of contact	pin (spring loaded) and socket (spring loaded)
Type of termination	1 x 4 mm diameter pin, 1 x 0,64 mm socket
Cable type	LIY
Cable specification	highly flexible lead
Wire stranding	130 mm x 0.05 mm
Rated voltage	DC 60 V
Rated current	3 A
Contact resistance	70 mOhm

Material

Contact material	contact pin: brass, contact spring: copper beryllium
Contact surface material	nickel-plated

Housing material	PVC
Environmental conditions	
Temperature range	-15 °C to +70 °C