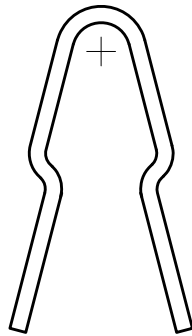
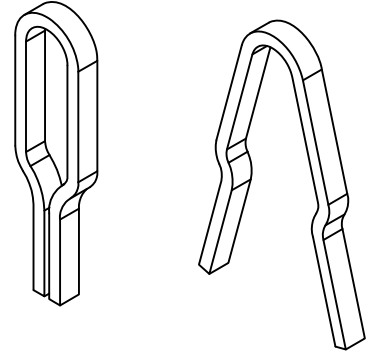
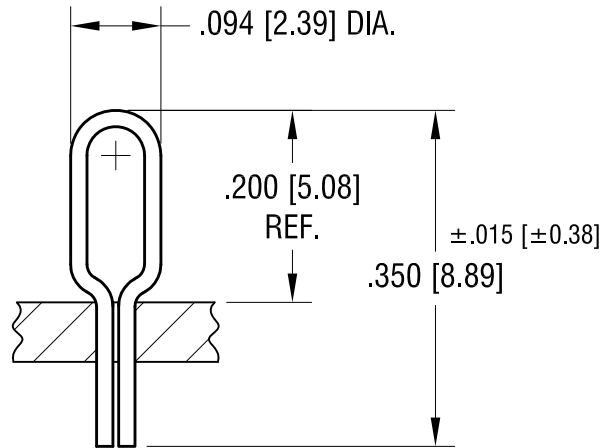


THIS DOCUMENT IS THE PROPERTY OF
KEYSTONE ELECTRONICS CORP. AND
SHALL NOT BE REPRODUCED, DISTRIBUTED
OR USED AS A BASIS FOR MANUFACTURE
WITHOUT PRIOR WRITTEN PERMISSION
FROM KEYSTONE ELECTRONICS CORP.



SHOWN AS
SUPPLIED



SHOWN AS
INSTALLED INTO
.040 [1.02] DIA.
MOUNTING HOLE

KEYSTONE ELECTRONICS CORP.

www.keyelco.com • ASTORIA, N.Y. 11105-2017 • Tel (718) 956-8900

PART NAME

THRU HOLE MOUNT UNINSULATED TEST POINT

MATERIAL

.016 [0.40] x .028 [0.71] PHOSPHOR BRONZE

FINISH

SILVER PLATE

DRN BY

BOONE

DATE

5.26.05

APP'D

LN

SCALE

5X

TOLERANCES

INCH [MM]

DECIMAL ±.005 [±0.15]

ANGULAR ± 1°

UNLESS OTHERWISE SPECIFIED

CODE

C/M

DWG NO.

5020

8.20.10 CHANGE AS PER ECN 10-061

B

6.20.06 CHANGE AS PER ECN 06-052

A

DATE

DESCRIPTION

REV.