

Subject: **Product Change Notice for Myrra 74030, 74032**

Date: July 16, 2015

Dear Valued Customer

SOS electronic hereby announces the Product Change Notice of Myrra 74030, 74032.

**Maximum height is increased from 21mm to 26,5mm.**

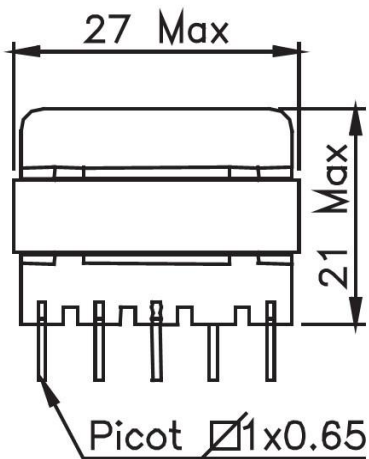


Figure1 The old part

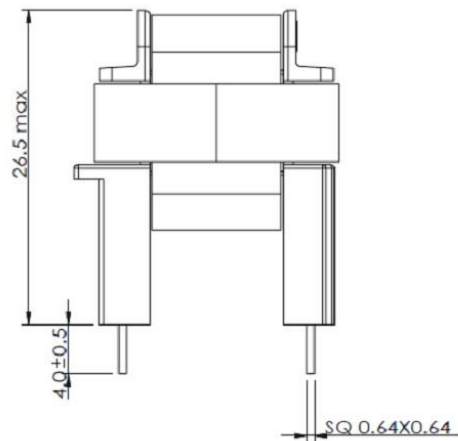


Figure 2 The new part

During the transition period (200 pcs in stock) we will sell parts with both heights. After that only parts with maximum height 26,5mm will be available.

Kind Regards

SOS team