




# 2JM013

## (DATASHEET)

<b>Type</b>	Low current GNSS antenna
<b>Frequencies</b>	GPS (1575.42 MHz) GLONASS (1592 - 1610 MHz)
<b>Mounting</b>	Embedded Patch Mount
<b>Revision</b>	00



  
P. Tipul

  
D. Noble

## 1. SPECIFICATION

### 1.1. Electrical Specifications

Frequencies	GPS (1575.42 MHz) GLONASS (1592 - 1610 MHz)
Impedance	50 Ohms
Noise figure	1.5 dB
Polarization	RHCP
LNA Gain	15 dB
Voltage supply	1.5 V - 3.6 V
Current	4 mA
Power (max.)	14.4 mW
Operating temperature	-40°C to +85°C

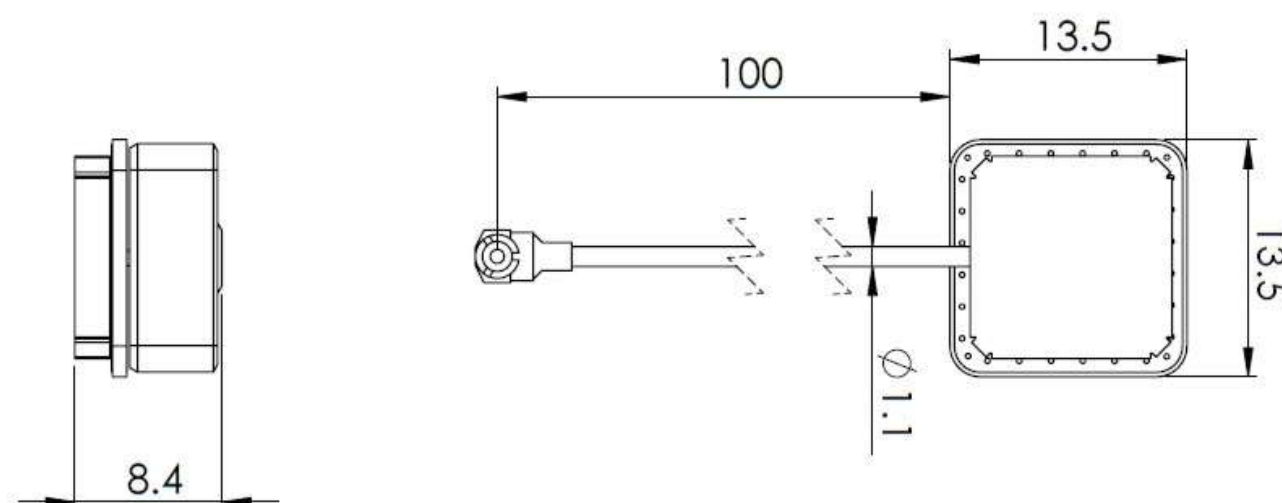
### 1.2. Connection Specifications

Connector type:	U.FL
Cable:	Microcoax 1,13mm
Cable length:	10 cm

For different cable length and connector type ask our sales team.

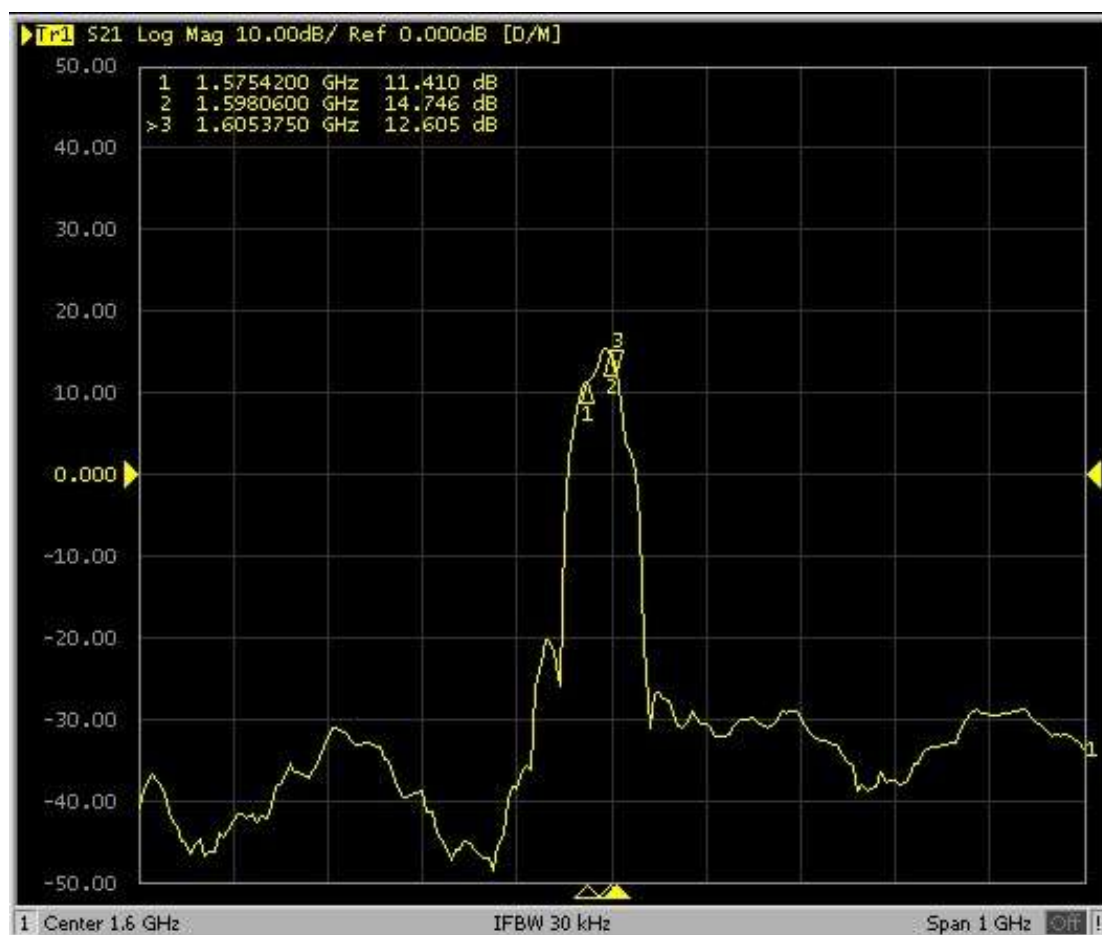
### 1.3. Mechanical Specifications and Dimensions

Max. dimensions:	13.5mm x 13.5mm x 8.4mm (L x W x H)
Weight:	6.2 g 'weight counted with cable above'



## 2. MEASUREMENT

Antenna gain from 1.5- 3.6V



Tested with 25cm cable length 1.13microcoax and U.FL connector.