

2J7502M


2J7502B

(DATASHEET)

Type	WiFi/Bluetooth antenna
Frequencies	WiFi/Bluetooth (2.4 GHz) WIFI (5.1 - 5.9 GHz)
Mounting	2J7502M - Magnetic Mount 2J7502B - Body Mount
Revision	00




P. Tipul


D. Noble

1. PRODUCT SELECTOR

- 2J7502M - Magnetic version
 2J7502B - Body mount version

2. SPECIFICATION

2.1. Electrical Specifications

Frequencies	WiFi/Bluetooth (2.4 GHz) WIFI (5.1 - 5.9 GHz)
Impedance	50 Ohms
Polarization	Linear
VSWR	<2:1(2.4GHz) / <3:1 (5.1-5.9GHz)
Power handling	35 W
Operating temperature	-40°C to +85°C

2.2. Connection Specifications

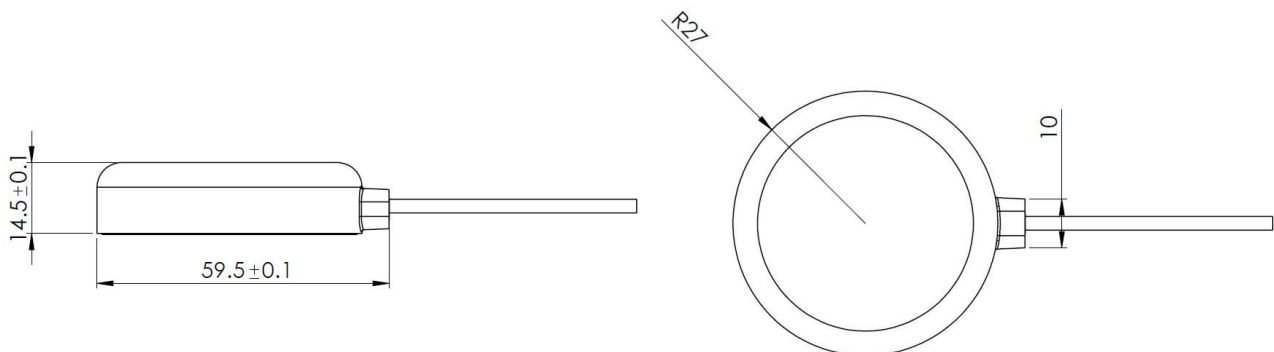
- Connector type: SMA male
 Cable: RG174U
 Cable length: 30 cm

For different cable length and connector type ask our sales team.

2.3. Mechanical Specifications and Dimensions

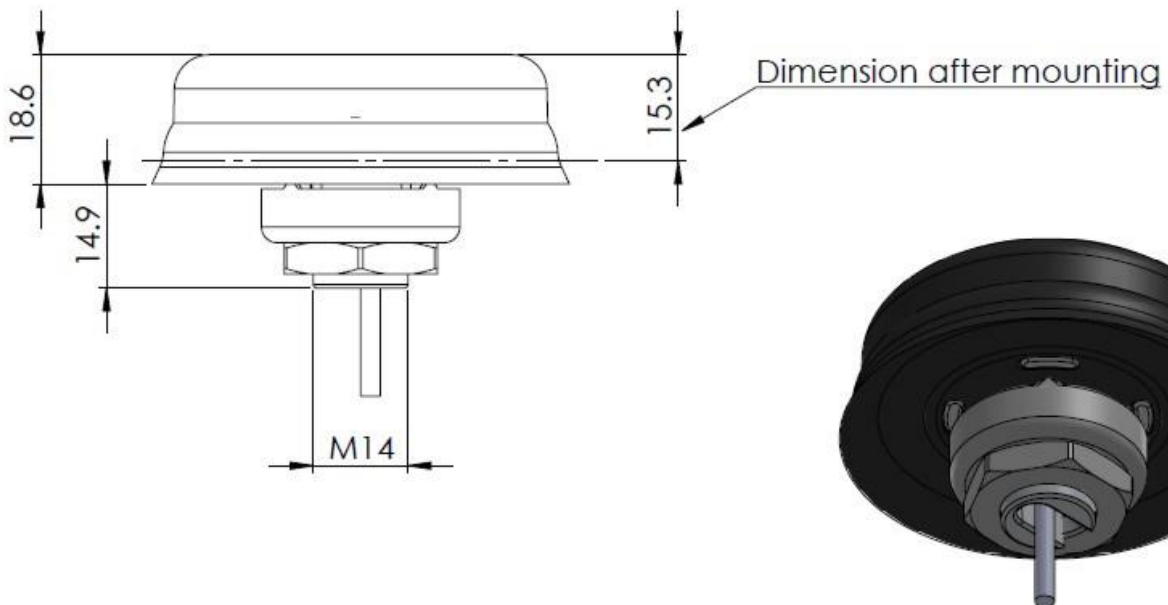
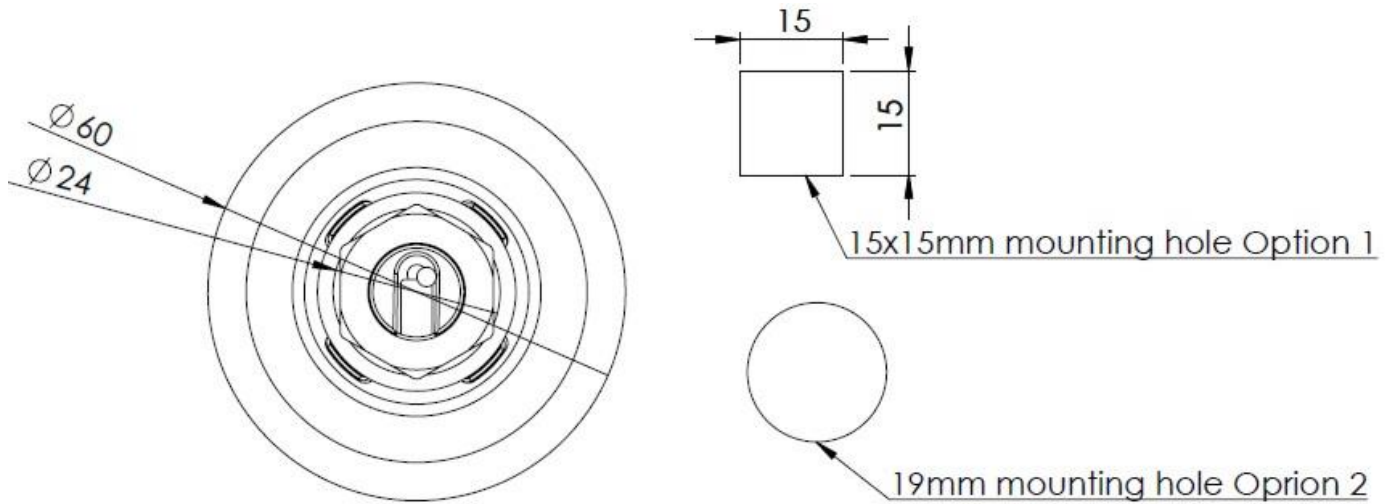
2.3.1. Magnetic Mount (2J7502M)

- Material: Lid: ABS / Base: Zamak
 Max. dimensions: 54mm x 14.5mm (D x H)
 Weight: 72 g 'weight counted with connection above'
 Colour: Black (for different colours please ask our sales team)



2.3.2. Body Mount (2J7502B)

Material:	Lid: ABS / Base: Zamak
Max. dimensions:	60mm x 15.3mm (D x H) – dimensions after mounting
Weight:	72 g ‘weight counted with connection above’
Colour:	Black (for different colours please ask our sales team)



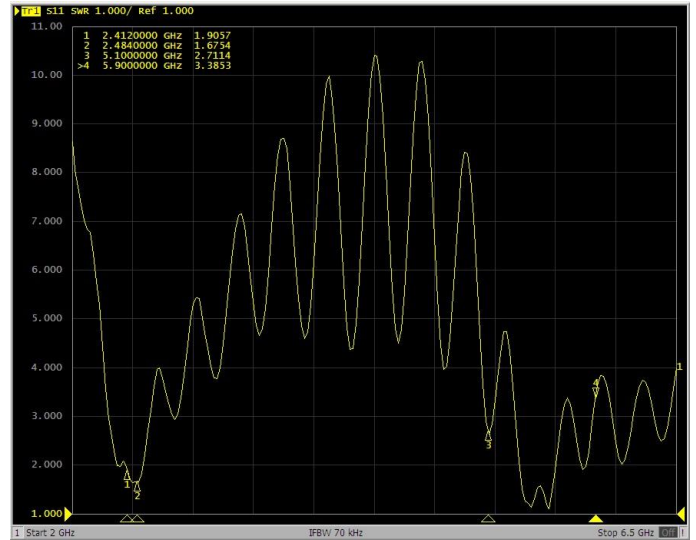
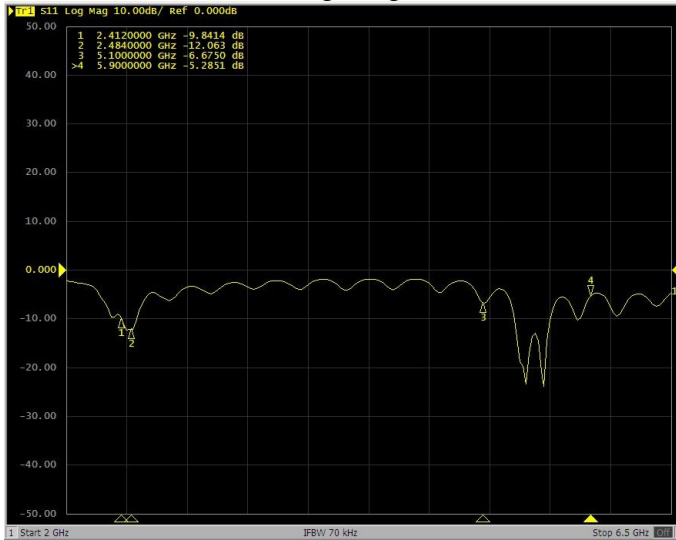
3. MEASUREMENT

- Tested with 30cm RG174 on 20x20cm large ground-plane.

3.1. S11

Log Mag

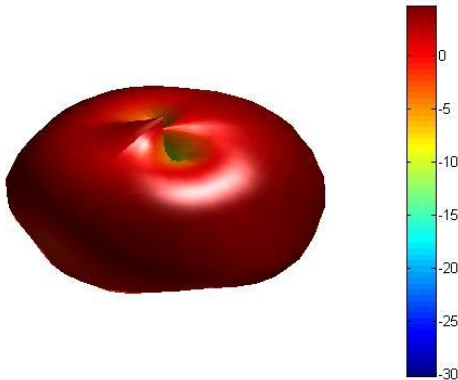
VSWR



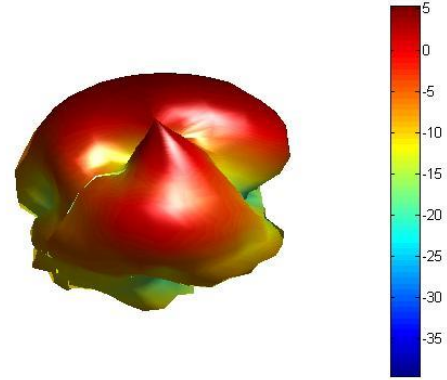
3.2. 3D Spherical Mount

- Legend bar showing antenna gain

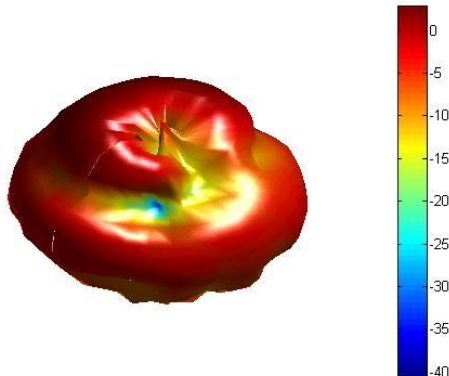
Freq = 2.4002GHz Az= 45 EL= 45



Freq = 5.0972GHz Az= 45 EL= 45



Freq = 5.4887GHz Az= 45 EL= 45



Freq = 5.902GHz Az= 45 EL= 45

