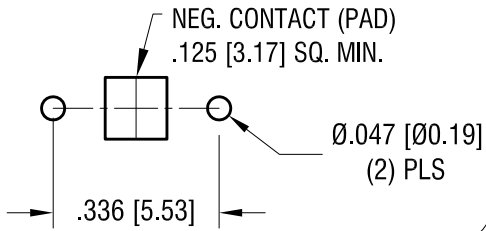
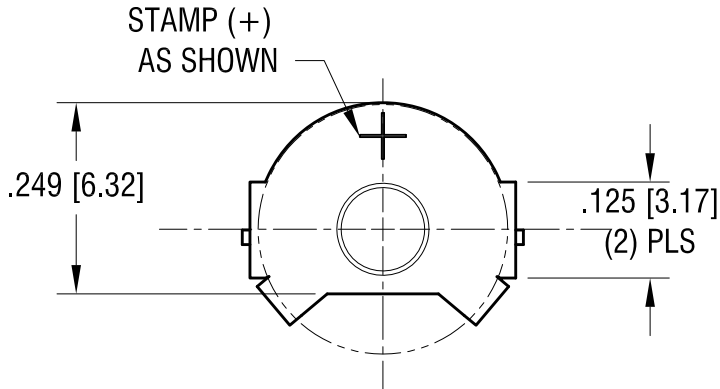
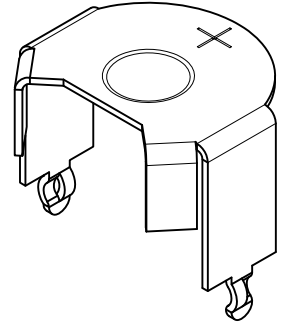


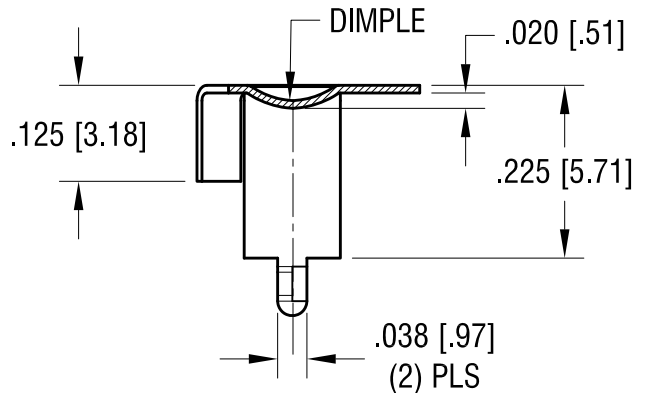
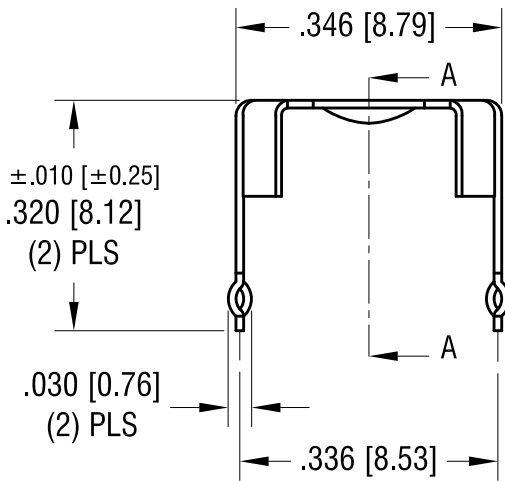
MOUNTING PAD LAYOUT



THIS DOCUMENT IS THE PROPERTY OF KEYSTONE ELECTRONICS CORP. AND SHALL NOT BE REPRODUCED, DISTRIBUTED OR USED AS A BASIS FOR MANUFACTURE WITHOUT PRIOR WRITTEN PERMISSION FROM KEYSTONE ELECTRONICS CORP.



SECTION A-A



| | | |
|---------|--------------------------|------|
| 7.18.12 | CHANGE AS PER ECN 12-086 | A |
| DATE | DESCRIPTION | REV. |

| | | |
|---|--------------|------------------------|
| KEYSTONE ELECTRONICS CORP. | | |
| www.keyelco.com • ASTORIA, N.Y. 11105-2017 • Tel (718) 956-8900 | | |
| PART NAME THM HEARING AID BATTERY RETAINER (SIZE 13) | | |
| MATERIAL .010 [0.25] TH'K PHOSPHOR BRONZE | | |
| FINISH TIN NICKEL PLATE | DRN BY NT | DATE 5.04.11 |
| | APP'D LN | SCALE 4X |
| TOLERANCES INCH [MM] DECIMAL ±.005 [±0.13] ANGULAR ± 1° UNLESS OTHERWISE SPECIFIED | CODE C | DWG NO. 2989 |