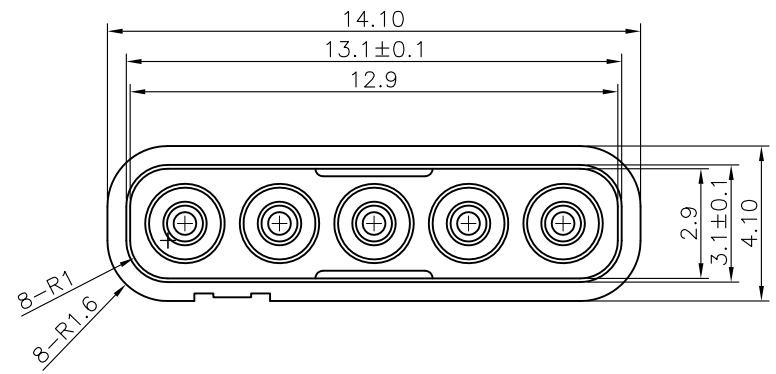
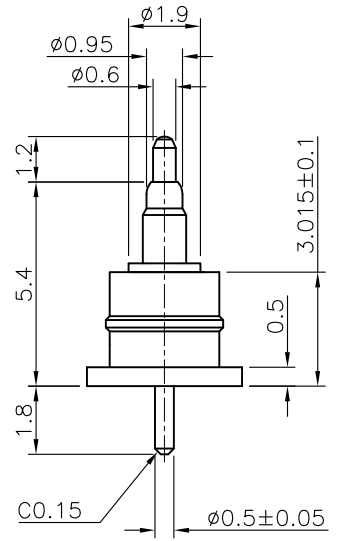
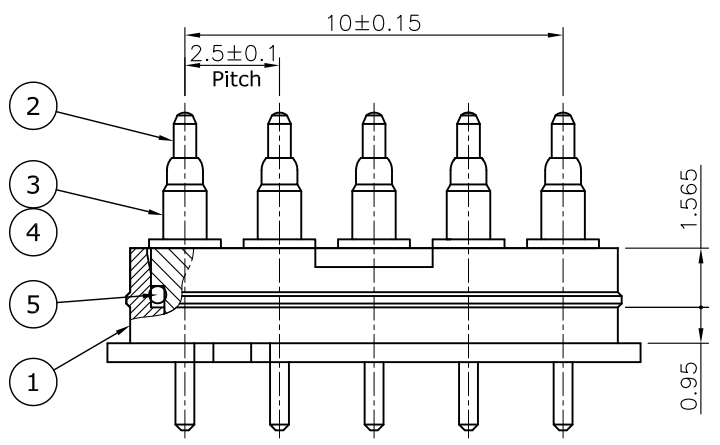


REV.	DESCRIPTION	DRAWN	DATE
1	INITIAL RELEASE	FROS	2016/03/30
2	Add section view	FROS	2019/05/20

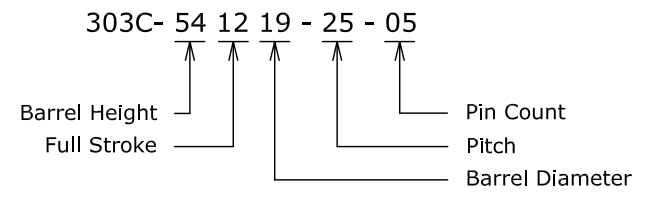


**SPECIFICATION:**

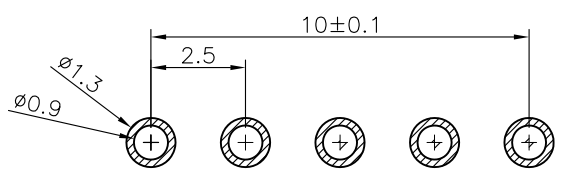
- ELECTRICAL**
  - Current Rating: 2A per pin
  - Voltage Rating: 12V AC/DC
  - Contact Resistance: 50mΩ
  - Insulation Resistance: 100MΩ
  - Dielectric Withstanding Voltage: 500VAC
- MECHANICAL**
  - Pin Force: 1.0N±0.25N at 0.9mm Stroke
  - Durability: 20,000 Cycles
- ENVIRONMENTAL**
  - Operating temperature range: -40°C~+85°C
  - Storage temperature range: -40°C~+85°C
  - Waterproof Level: IPX7
- SOLDER ABILITY**
  - Peak Temperature: 250°C, 10 sec



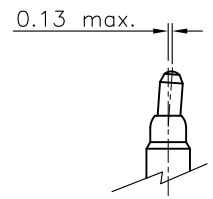
**How to Order**



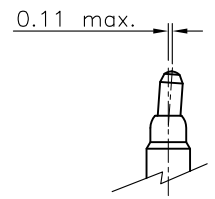
5	O-Ring	Silicone Rubber
4	Spring	Stainless Steel
3	Barrel	Brass, 2u" Gold/ 80u" Nickel Plating
2	Pin	Brass, 40u" Gold/ 120u" Nickel Plating
1	Housing	PPA 30%GF, UL94HB, Black



**Recommended Layout**  
General Tolerance: ±0.05mm



**Fluttering of Pin Axis**



**Contact Point**

NO.		PART NAME	DESCRIPTION
UNLESS OTHERWISE SPECIFIED TOLERANCE			
UNIT:	DECIMAL	LINEAR	ANGLES
	mm	X, X.X	±0.50 ±0.25 ±0.12
			±5° ±3° ±1°
WWW.ATTEND.COM.TW			
DRAWN	Fros	2016/03/30	DRAWN NAME:
CHECKED	Amy	2016/03/30	Pogo Pin Water Proof Type, 5 Pin H6.6 Stroke-1.2 Pitch 2.5 Barrel 1.9, DIP w/o Cap, 40u"
APPROVED	Ken	2016/03/30	PRODUCT NO. 303C-541219-25-05
SCALE	SHEET	SIZE	FILE NAME
5/1	1/1	A4	303C-541219-25-05_B_2

