

# PRODUCT DATASHEET

is brought to you by



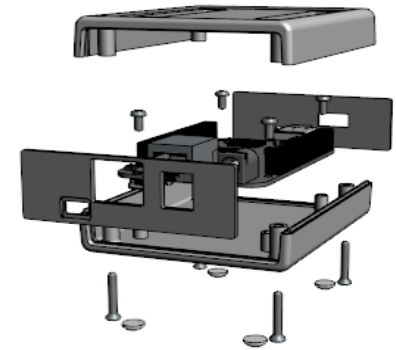
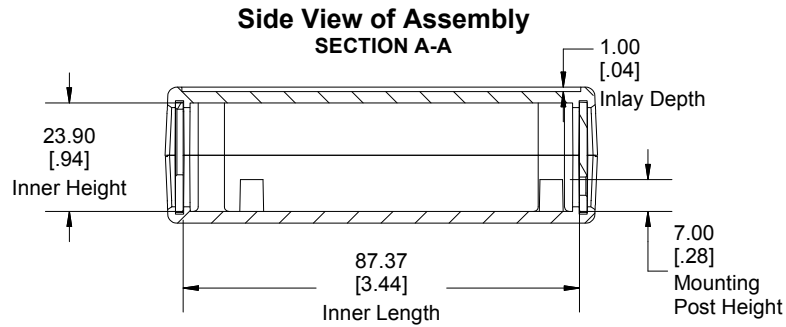
[SOS electronic](https://www.soselectronic.com/)

distribution of electronic components

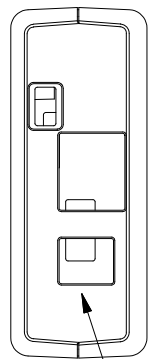
Click to view availability, pricing and lifecycle information.

Visit <https://www.soselectronic.com/>

**Datasheet begins on next page.**

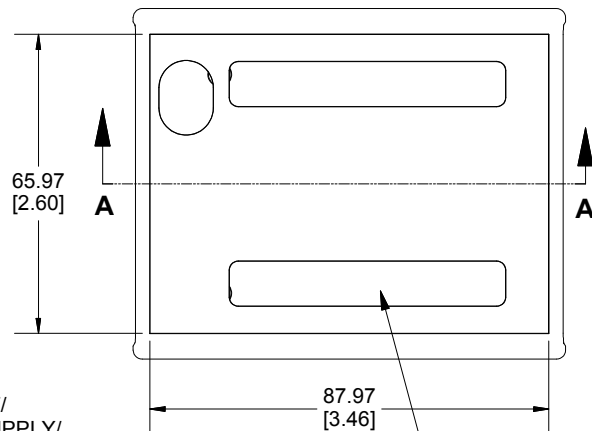


**End View of Assembly**



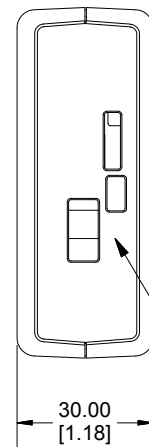
ETHERNET/  
POWER SUPPLY/  
MINI USB

**Top View of Assembly**



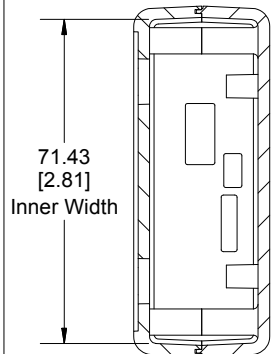
TOP ACCESS CUT-OUTS

**End View of Assembly**

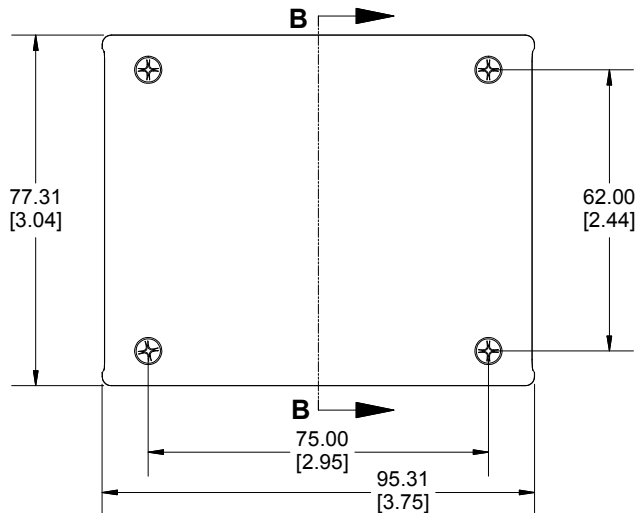


USB/  
MICRO SD/  
MINI HDMI

**Bottom View of Assembly**



**SECTION B-B**



**NOTE**  
Purchased assembly includes top and bottom cover, front and rear end panels, 4 cover screws, 4 PCB screws and 4 clear rubber feet. (P.C. Board not included)  
Enclosure molded from ABS Plastic.

| PART NUMBERS               |                |
|----------------------------|----------------|
| 1593HAMBONE Enclosure      |                |
| Black Enclosure            | 1593HAMBONEBK  |
| Grey Enclosure             | 1593HAMBONEGY  |
| Translucent Blue Enclosure | 1593HAMBONETBU |

Dimensions:  
mm  
[inches]

**HAMMOND  
MANUFACTURING™**

**1593HAMBONE**

www.hammondmfg.com