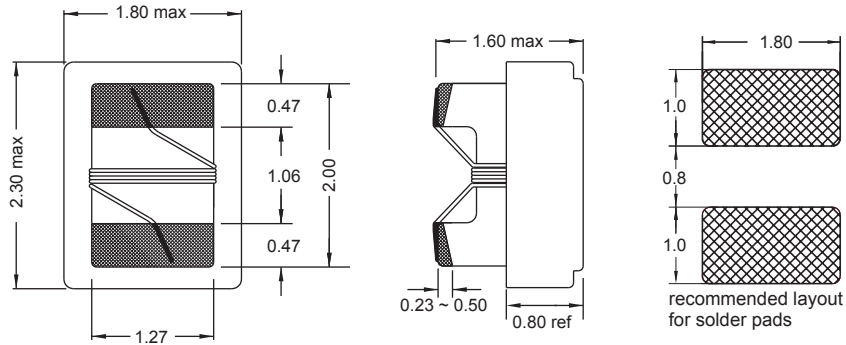
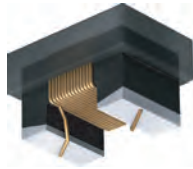
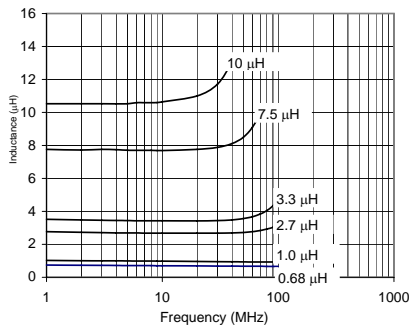


0805 F

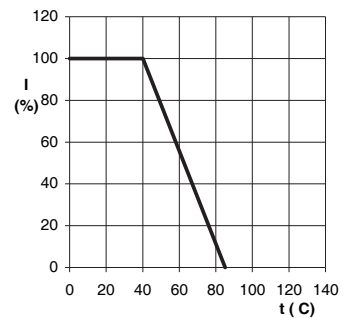
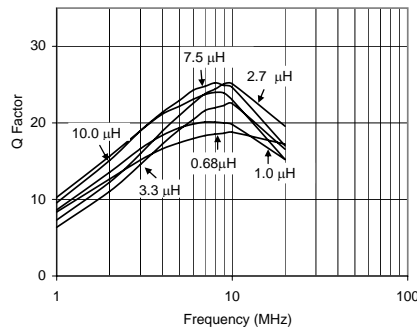
Engineer's Kit : EK-0805F-X



Typical L vs Frequency (f)



Typical Q vs Frequency (f)



Current carrying capacity dependent on the ambient temperature

Chip Inductors (wire wound - open)

Part No	Inductance	f _L (MHz)	Tol ± (%)	Q min	f _Q (MHz)	SRF ¹ (MHz)	DCR max (Ω)	Rated DC Current (mA)
	L (µH)							
0805F-R68K-01	0.68	25.2	10	18	7.9	350	0.50	450
0805F-R82K-01	0.82	25.2	10	18	7.9	350	0.55	400
0805F-1R0K-01	1.0	7.9	10	20	7.9	350	0.50	250
0805F-1R2K-01	1.2	7.9	10	20	7.9	300	0.65	220
0805F-1R5K-01	1.5	7.9	10	20	7.9	250	0.75	200
0805F-1R8K-01	1.8	7.9	10	20	7.9	200	0.85	190
0805F-2R2K-01	2.2	7.9	10	20	7.9	200	1.70	130
0805F-2R7K-01	2.7	7.9	10	20	7.9	200	2.0	120
0805F-3R3K-01	3.3	7.9	10	20	7.9	200	3.3	100
0805F-3R9K-01	3.9	7.9	10	20	7.9	150	3.6	95
0805F-4R7K-01	4.7	7.9	10	20	7.9	150	3.8	90
0805F-5R6K-01	5.6	7.9	10	20	7.9	80	2.8	175
0805F-6R2K-01	6.2	7.9	10	20	7.9	70	3.0	165
0805F-6R8K-01	6.8	7.9	10	20	7.9	65	3.1	160
0805F-7R5K-01	7.5	7.9	10	20	7.9	60	3.4	160
0805F-8R2K-01	8.2	7.9	10	20	7.9	55	3.7	160
0805F-9R1K-01	9.1	7.9	10	20	7.9	50	3.7	150
0805F-10K-01	10	7.9	10	20	7.9	45	3.8	150
0805F-120K-01	12	7.9	10	18	7.9	25	4.2	150
0805F-15K-01	15	7.9	10	18	7.9	25	5.0	150
0805F-220K-01	22	7.9	10	15	7.9	30	6.0	97

Material : Ferrite

SPQ : Reel 2500 [-01]
7500 [-04]

Remarks: - For not listed inductance values please check availability with us.

- 2% and 5% available on request.

- SRF¹ : 0.68µH to 1.0µH = SRF min

: 1.2µH to 22µH = SRF typ