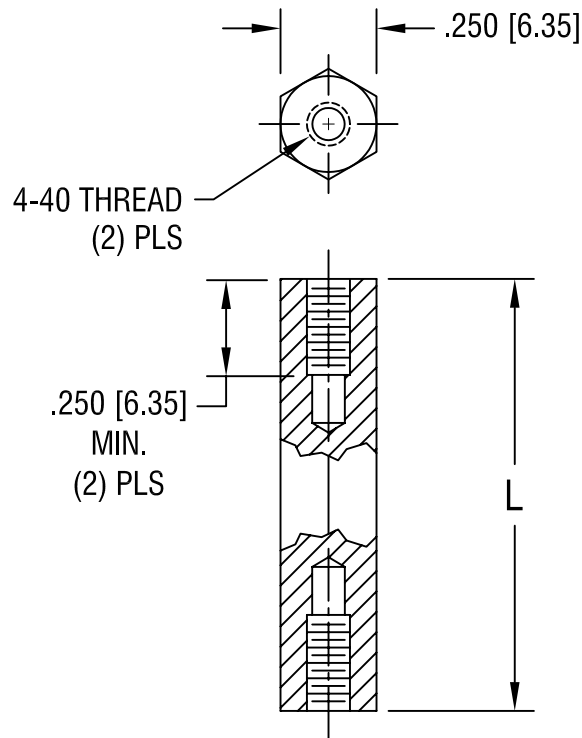


THIS DOCUMENT IS THE PROPERTY OF  
KEYSTONE ELECTRONICS CORP. AND  
SHALL NOT BE REPRODUCED, DISTRIBUTED  
OR USED AS A BASIS FOR MANUFACTURE  
WITHOUT PRIOR WRITTEN PERMISSION  
FROM KEYSTONE ELECTRONICS CORP.



PART NO.	'L' DIM.
1831	1.500 [38.10]
1832	2.000 [50.80]

<b>KEYSTONE ELECTRONICS CORP.</b>			
ASTORIA, N.Y. 11105-2017			
PART NAME THREADED HEX STANDOFF			
MATERIAL BRASS			
FINISH ZINC PLATE		DRN BY BOONE	DATE 2.12.98
		APP'D	SCALE 2X
TOLERANCES INCH [MM]	CODE	DWG NO.	
DECIMAL $\pm .005$ [ $\pm 0.15$ ]	C/M	1831-1832	
UNLESS OTHERWISE SPECIFIED			

7.29.05	CHANGE AS PER ECN 05-054	A
DATE	DESCRIPTION	REV.