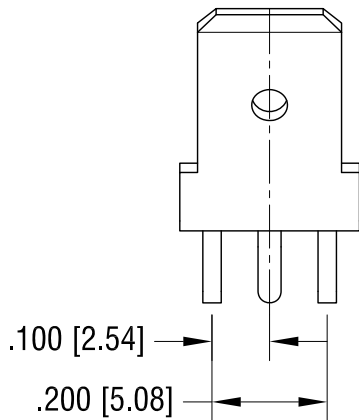
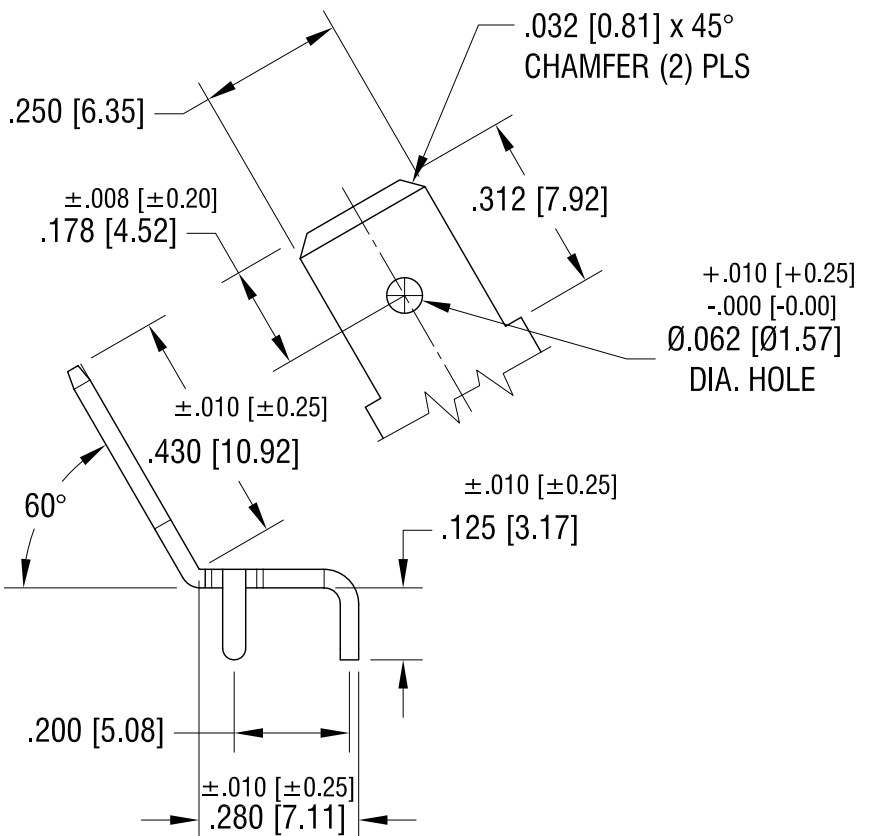
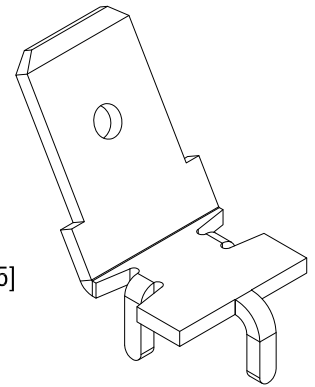
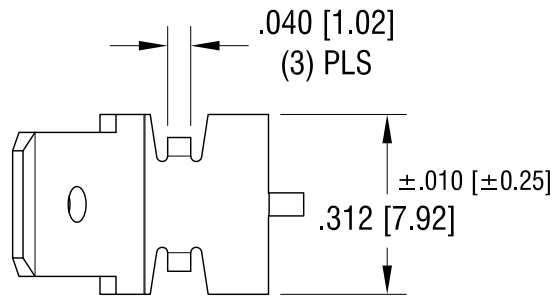
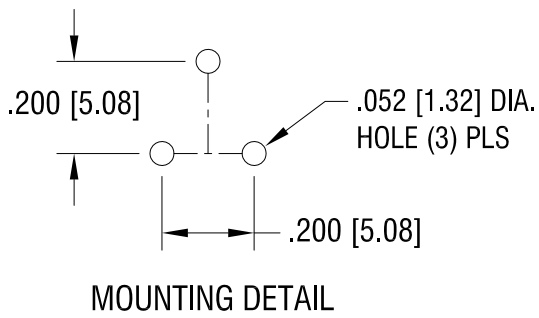


THIS DOCUMENT IS THE PROPERTY OF KEYSTONE ELECTRONICS CORP. AND SHALL NOT BE REPRODUCED, DISTRIBUTED OR USED AS A BASIS FOR MANUFACTURE WITHOUT PRIOR WRITTEN PERMISSION FROM KEYSTONE ELECTRONICS CORP.



KEYSTONE ELECTRONICS CORP.

www.keyelco.com • ASTORIA, N.Y. 11105-2017 • Tel (718) 956-8900

PART NAME
.250 [6.35] PC QUICK-FIT TERMINAL

MATERIAL
.032 [0.81] TH'K BRASS

FINISH MATTE TIN PLATE	DRN BY NT	DATE 1.08.09
	APP'D LN	SCALE 3X

TOLERANCES INCH [MM] DECIMAL ± .005 [± 0.15] ANGULAR ± 1° UNLESS OTHERWISE SPECIFIED	CODE C	DWG NO. 4912
---	------------------	------------------------

5.16.12	CHANGE AS PER ECN 12-066	B
6.10.09	CHANGE AS PER ECN 09-063	A
DATE	DESCRIPTION	REV.